

### Main

Range of product	Altivar Lexium
Product or component type	EMC input filter
Range compatibility	Lexium 32 Altivar Machine ATV320 Lexium 28 Altivar 32
Product compatibility	LXM28A ATV32, 200...240 V, 1.1...1.5 kW LXM32, single-phase, line current 8.4...12.9 A Variable speed drive ATV320...B at 1.1 kW, 200...240 V, single phase Variable speed drive ATV320...B at 1.5 kW, 200...240 V, single phase
Product specific application	Radio interference input filter
Mounting location	At variable speed drive side
Network number of phases	Single phase

### Complementary

Maximum cable distance between devices	20 M conforming to IEC 61800-3 category C1 50 m conforming to IEC 61800-3 category C2
[In] rated current	17.6 A
Thermal losses	6.9 W
Network rated voltage	200...240 V
Tolerance	- 15...10 %
Net weight	0.775 kg
Emc filter compatibility	Type 021

### Packing Units

Unit Type of Package 1	PCE
Number of Units in Package 1	1
Package 1 Weight	634 g
Package 1 Height	5 cm
Package 1 width	18 cm
Package 1 Length	23.3 cm

### Offer Sustainability

REACH Regulation	<a href="#">REACH Declaration</a>
REACH free of SVHC	Yes
EU RoHS Directive	Pro-active compliance (Product out of EU RoHS legal scope) <a href="#">EU RoHS Declaration</a>
Toxic heavy metal free	Yes
Mercury free	Yes
RoHS exemption information	<a href="#">Yes</a>
China RoHS Regulation	<a href="#">China RoHS Declaration</a>

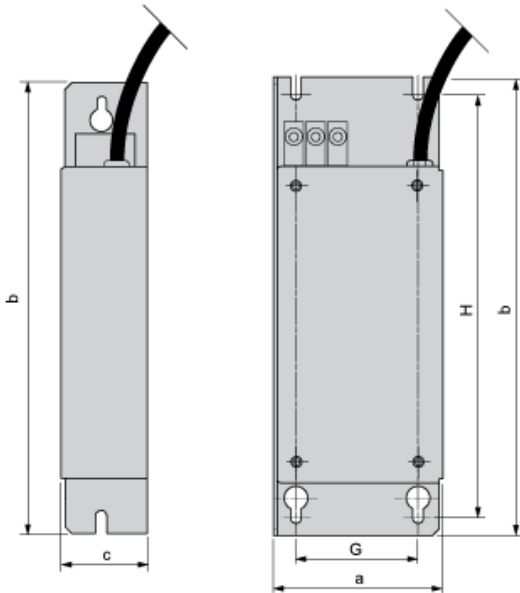
## Contractual warranty

---

Warranty	18 months
----------	-----------

---

Additional EMC Input Filters



Dimensions in mm

a	b	c	G	H	Ø
107	195	35	85	180	4.5

Dimensions in in.

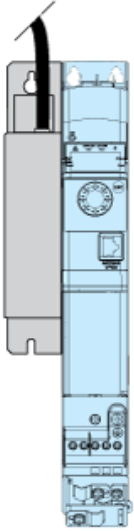
a	b	c	G	H	Ø
4.21	7.68	1.38	3.35	7.09	0.18

---

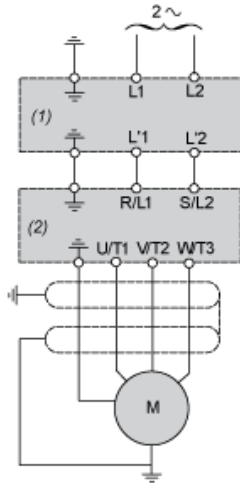
Mounting Recommendations

---

Mounting the Filter on the Side of the Drive



Recommended Schema



- (1) Filter
- (2) Drive