

Main

Range of product	Lexium Altivar
Product or component type	EMC input filter
Range compatibility	Altivar 32 Altivar Machine ATV320 Lexium 28
Product compatibility	LXM28A ATV32, 200...240 V, 2.2 kW Variable speed drive ATV320...B at 2.2 kW, 200...240 V, single phase
Product specific application	Radio interference input filter
Mounting location	At variable speed drive side
Network number of phases	Single phase

Complementary

Maximum cable distance between devices	20 M conforming to IEC 61800-3 category C1 50 m conforming to IEC 61800-3 category C2
[In] rated current	23.9 A
Thermal losses	7.5 W
Network rated voltage	200...240 V
Tolerance	- 15...10 %
Net weight	1.13 kg
Emc filter compatibility	Type 026

Packing Units

Unit Type of Package 1	PCE
Number of Units in Package 1	1
Package 1 Weight	880 g
Package 1 Height	5.7 cm
Package 1 width	22.7 cm
Package 1 Length	27.5 cm

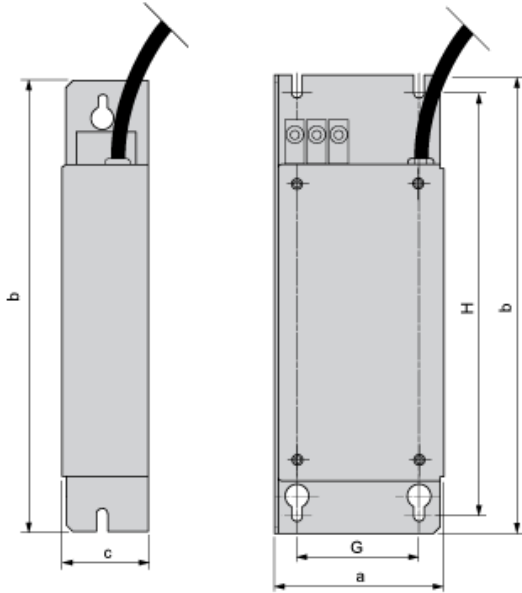
Offer Sustainability

REACH Regulation	REACH Declaration
REACH free of SVHC	Yes
EU RoHS Directive	Pro-active compliance (Product out of EU RoHS legal scope) EU RoHS Declaration
Toxic heavy metal free	Yes
Mercury free	Yes
RoHS exemption information	Yes
China RoHS Regulation	China RoHS Declaration

Contractual warranty

Warranty	18 months
----------	-----------

Additional EMC Input Filters



Dimensions in mm

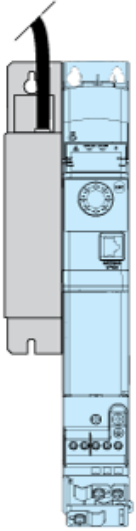
a	b	c	G	H	Ø
140	235	35	120	215	4.5

Dimensions in in.

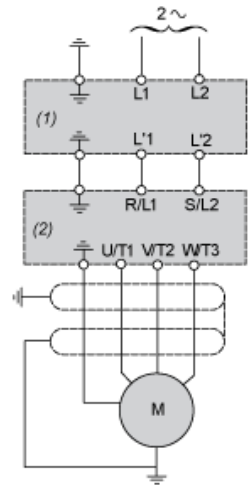
a	b	c	G	H	Ø
5.51	9.25	1.38	4.72	8.46	0.18

Mounting Recommendations

Mounting the Filter on the Side of the Drive



Recommended Schema



- (1) Filter
- (2) Drive