



Main

Range compatibility	Lexium 28
Device short name	BCH2
Product or component type	Servo motor

Complementary

Maximum mechanical speed	5000 rpm
[Us] rated supply voltage	220 V
Network number of phases	Three phase
Continuous stall current	9.87 A
Continuous stall torque	6.37 N.m for LXM28... at 12 A, 220 V, three phase
Continuous power	2000 W
Peak stall torque	19.11 N.m for LXM28... at 12 A, 220 V, three phase
Nominal output power	2000 W for LXM28... at 12 A, 220 V, three phase
Nominal torque	6.37 N.m for LXM28... at 12 A, 220 V, three phase
Nominal speed	3000 rpm for LXM28... at 12 A, 220 V, three phase
Maximum current Irms	32.3 A for LXM28... at 2 kW, 220 V
Maximum permanent current	10.27 A
Product compatibility	LXM28... servo drive motor at 2 kW, 220 V, three phase
Shaft end	Smooth shaft
Shaft diameter	22 mm
Shaft length	45 mm
Feedback type	20 bits single turn absolute encoder
Holding brake	With
Holding torque	6.5 N.m built-in
Mounting support	Asian standard flange
Motor flange size	100 mm
Electrical connection	Connector MIL
Torque constant	0.65 N.m/A at 20 °C
Back emf constant	39 V/krpm at 20 °C
Rotor inertia	4.35 kg.cm ²
Stator resistance	0.36 Ohm at 20 °C
Stator inductance	2.59 mH at 20 °C
Stator electrical time constant	7.19 ms at 20 °C
Maximum radial force Fr	570 N at 3000 rpm
Maximum axial force Fa	200 N
Brake pull-in power	10.4 W
Type of cooling	Natural convection
Length	225.5 mm

Number of motor stacks	2
Centring collar diameter	95 mm
Centring collar depth	7 mm
Number of mounting holes	4
Mounting holes diameter	9.2 mm
Circle diameter of the mounting holes	115 mm
Distance shaft shoulder-flange	7 mm
Net weight	7.2 kg

Environment

IP degree of protection	IP50 IM V3 IP65 IM B5, IM V1
Ambient air temperature for operation	0...40 °C

Packing Units

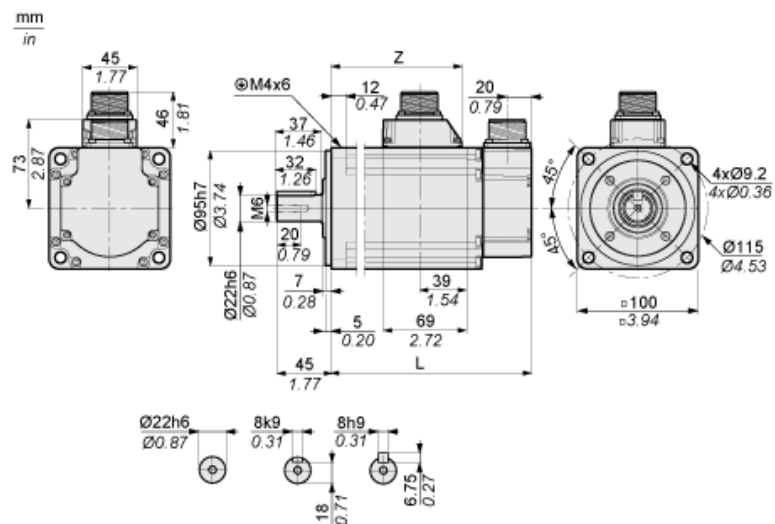
Unit Type of Package 1	PCE
Number of Units in Package 1	1
Package 1 Height	18.1 cm
Package 1 Width	23.0 cm
Package 1 Length	36.0 cm
Package 1 Weight	9.23 kg

Offer Sustainability

Sustainable offer status	Green Premium product
REACH Regulation	REACH Declaration
REACH free of SVHC	Yes
EU RoHS Directive	Pro-active compliance (Product out of EU RoHS legal scope)
Mercury free	Yes
China RoHS Regulation	China RoHS Declaration
RoHS exemption information	Yes
Environmental Disclosure	Product Environmental Profile
Circularity Profile	End Of Life Information
WEEE	The product must be disposed on European Union markets following specific waste collection and never end up in rubbish bins
PVC free	Yes

Dimensions

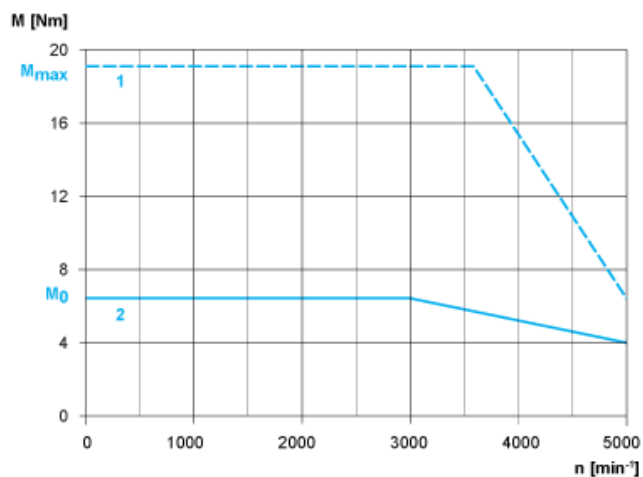
Dimensions of Motor



	mm	in.
L (without holding brake)	198.5	7.81
L (with holding brake)	225.5	8.88
Z	141	5.55

Torque/Speed Curves with 230 V Three Phase Supply Voltage

Servo Motor with LXM28AU20●●● Servo Drive



- 1 : Peak torque
- 2 : Continuous torque