



Main

| | |
|---------------------------|-------------|
| Range compatibility | Lexium 28 |
| Device short name | BCH2 |
| Product or component type | Servo motor |

Complementary

| | |
|---------------------------------|---|
| Maximum mechanical speed | 3000 rpm |
| [Us] rated supply voltage | 220 V |
| Network number of phases | Three phase |
| Continuous stall current | 8.75 A |
| Continuous stall torque | 9.55 N.M for LXM28... at 12 A, 220 V, three phase 9.55 N.m |
| Continuous power | 2000 W |
| Peak stall torque | 28.65 N.M for LXM28... at 12 A, 220 V, three phase 28.65 N.m |
| Nominal output power | 2000 W for LXM28... at 12 A, 220 V, three phase 2000 W |
| Nominal torque | 9.55 N.M for LXM28... at 12 A, 220 V, three phase 9.55 N.m |
| Nominal speed | 2000 rpm 2000 rpm for LXM28... at 12 A, 220 V, three phase |
| Maximum current Irms | 35.4 A at 2 kW, 220 V |
| Maximum permanent current | 9.6 A |
| Product compatibility | LXM28... servo drive motor at 2 kW, 220 V, three phase |
| Shaft end | Smooth shaft |
| Shaft diameter | 35 mm |
| Shaft length | 79 mm |
| Feedback type | 20 bits single turn absolute encoder |
| Holding brake | With |
| Holding torque | 48 N.m built-in |
| Mounting support | Asian standard flange |
| Motor flange size | 180 mm |
| Electrical connection | Connector MIL |
| Torque constant | 1.09 N.m/A at 20 °C |
| Back emf constant | 66 V/krpm at 20 °C |
| Rotor inertia | 27 kg.cm ² |
| Stator resistance | 0.572 Ohm at 20 °C |
| Stator inductance | 8.86 mH at 20 °C |
| Stator electrical time constant | 15.49 ms at 20 °C |
| Maximum radial force Fr | 1200 N at 2000 rpm |
| Maximum axial force Fa | 497 N |

| | |
|---------------------------------------|--------------------|
| Brake pull-in power | 49.6 W |
| Type of cooling | Natural convection |
| Length | 203 mm |
| Number of motor stacks | 1 |
| Centring collar diameter | 114.3 mm |
| Centring collar depth | 4 mm |
| Number of mounting holes | 4 |
| Mounting holes diameter | 13.5 mm |
| Circle diameter of the mounting holes | 200 mm |
| Distance shaft shoulder-flange | 4 mm |
| Net weight | 18 kg |

Environment

| | |
|---------------------------------------|---------------------------------|
| IP degree of protection | IP50 IM V3 IP65 IM B5, IM V1 |
| Ambient air temperature for operation | 0...40 °C |

Packing Units

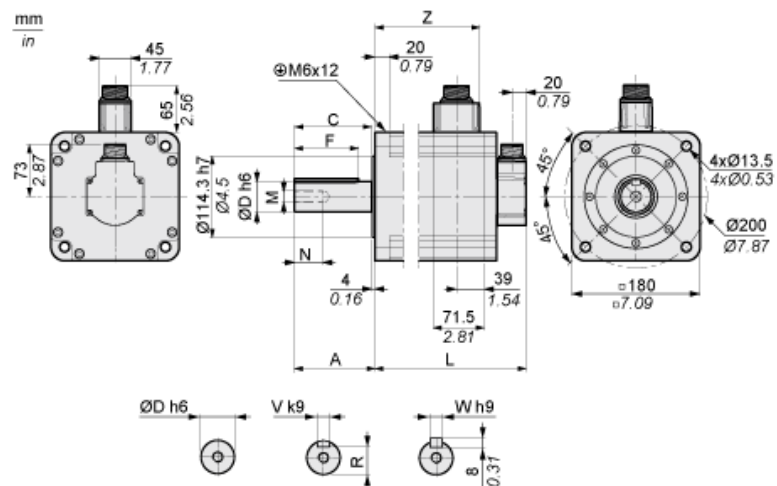
| | |
|------------------------------|----------|
| Unit Type of Package 1 | PCE |
| Number of Units in Package 1 | 1 |
| Package 1 Height | 24.5 cm |
| Package 1 Width | 29.0 cm |
| Package 1 Length | 58.5 cm |
| Package 1 Weight | 19.63 kg |

Offer Sustainability

| | |
|----------------------------|---|
| Sustainable offer status | Green Premium product |
| REACH Regulation | REACH Declaration |
| REACH free of SVHC | Yes |
| EU RoHS Directive | Pro-active compliance (Product out of EU RoHS legal scope) |
| Mercury free | Yes |
| China RoHS Regulation | China RoHS Declaration |
| RoHS exemption information | Yes |
| Environmental Disclosure | Product Environmental Profile |
| Circularity Profile | End Of Life Information |
| WEEE | The product must be disposed on European Union markets following specific waste collection and never end up in rubbish bins |

Dimensions

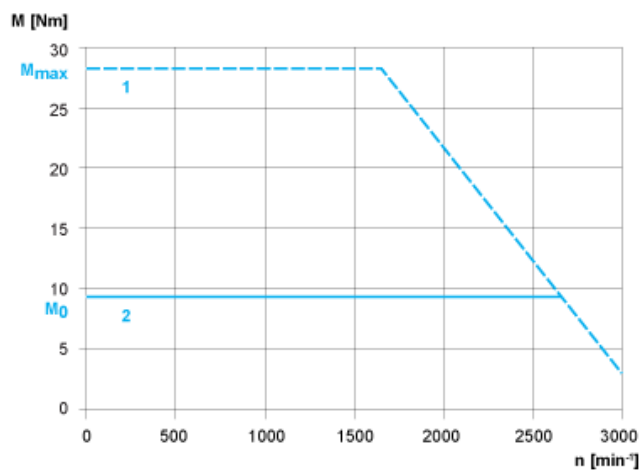
Dimensions of Motor



| | mm | in. |
|---------------------------|-----|------|
| L (without holding brake) | 169 | 6.65 |
| L (with holding brake) | 203 | 7.99 |
| A | 79 | 3.11 |
| C | 73 | 2.87 |
| D | 35 | 1.38 |
| F | 63 | 2.48 |
| N | 28 | 1.10 |
| M | M12 | |
| R | 30 | 1.18 |
| V | 10 | 0.39 |
| W | 10 | 0.39 |
| Z | 103 | 4.06 |

Torque/Speed Curves with 230 V Three Phase Supply Voltage

Servo Motor with LXM28AU20●●● Servo Drive



- 1 : Peak torque
- 2 : Continuous torque