



Main

| | |
|---------------------------|------------------------------|
| Range compatibility | Lexium 32i |
| Device short name | BMI |
| Product or component type | Servo motor with power stage |

Complementary

| | |
|---------------------------|---|
| Maximum mechanical speed | 8000 rpm |
| [Us] rated supply voltage | 208...480 V - 15...10 % |
| Supply voltage limits | 208...480 V |
| Network number of phases | Three phase |
| Supply frequency | 50/60 Hz - 5...5 % |
| Network frequency limits | 47.5...63 Hz |
| EMC filter | Integrated |
| Continuous output current | 2 A at 8 kHz |
| Output current 3s peak | 6 A at 400 V for 3 s |
| Continuous stall current | 2 A |
| Continuous stall torque | 2.48 N.m at 208...480 V three phase |
| Peak stall torque | 6.8 N.M at 208 V three phase 6.8 N.M at 400 V three phase 6.8 N.m at 480 V three phase |
| Nominal output power | 400 W at 208 V three phase 800 W at 400 V three phase 900 W at 480 V three phase |
| Nominal torque | 2.4 N.M at 208 V three phase 2.2 N.M at 400 V three phase 2 N.m at 480 V three phase |
| Nominal speed | 1800 rpm at 208 V three phase 3600 rpm at 400 V three phase 4400 rpm at 480 V three phase |
| Maximum current Irms | 9.6 A at 208 V, three phase 9.6 A at 400 V, three phase 9.6 A at 480 V, three phase |
| Product compatibility | Drive control unit LXM32i CANopen[RETURN]Drive control unit LXM32i EtherCAT |
| Shaft end | Keyed |
| Second shaft | Without second shaft end |
| Shaft diameter | 11 mm |
| Shaft length | 23 mm |
| Key width | 4 mm |
| Feedback type | Absolute multiturn SinCos Hiperface |
| Speed feedback resolution | 32768 points/turn x 4096 turns |
| Holding brake | Without |
| Mounting support | International standard flange |

| | |
|---------------------------------------|--|
| Motor flange size | 70 mm |
| Electrical connection | Printed circuit board connector |
| Torque constant | 1.15 N.m/A at 20 °C |
| Back emf constant | 77.18 V/krpm at 20 °C |
| Number of motor poles | 10 |
| Rotor inertia | 1.13 kg.cm ² |
| Stator resistance | 8.89 Ohm at 20 °C |
| Stator inductance | 25.75 mH at 20 °C |
| Stator electrical time constant | 2.9 ms at 20 °C |
| Maximum radial force Fr | 710 N at 1000 rpm 560 N at 2000 rpm 490 N at 3000 rpm 450 N at 4000 rpm 410 N at 5000 rpm 390 N at 6000 rpm |
| Maximum axial force Fa | 0.2 x Fr |
| Type of cooling | Natural convection |
| Length | 268 mm |
| Number of motor stacks | 2 |
| Centring collar diameter | 60 mm |
| Centring collar depth | 2.5 mm |
| Number of mounting holes | 4 |
| Mounting holes diameter | 5.5 mm |
| Circle diameter of the mounting holes | 75...82 mm |
| Distance shaft shoulder-flange | 2.5 mm |

Environment

| | |
|-------------------------|------|
| IP degree of protection | IP65 |
|-------------------------|------|

Packing Units

| | |
|------------------------------|---------|
| Unit Type of Package 1 | PCE |
| Number of Units in Package 1 | 1 |
| Package 1 Height | 26.0 cm |
| Package 1 Width | 20.0 cm |
| Package 1 Length | 59.0 cm |
| Package 1 Weight | 5.4 kg |

Offer Sustainability

| | |
|----------------------------|---|
| Sustainable offer status | Green Premium product |
| REACH Regulation | REACH Declaration |
| EU RoHS Directive | Pro-active compliance (Product out of EU RoHS legal scope) |
| Mercury free | Yes |
| China RoHS Regulation | China RoHS Declaration |
| RoHS exemption information | Yes |
| Environmental Disclosure | Product Environmental Profile |
| Circularity Profile | End Of Life Information |
| WEEE | The product must be disposed on European Union markets following specific waste collection and never end up in rubbish bins |
| PVC free | Yes |

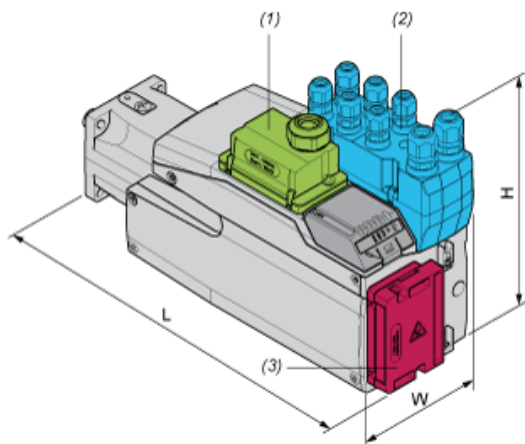
Contractual warranty

| | |
|----------|-----------|
| Warranty | 18 months |
|----------|-----------|

External Dimensions

With Standard Braking Resistor

Mounting type A



- (1) Module for supply voltage
- (2) I/O module
- (3) Standard braking resistor

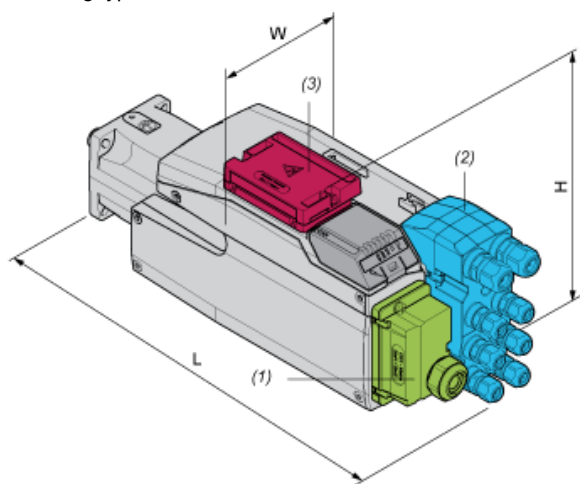
Dimensions in mm

| W | H | L |
|----|-----|-----|
| 99 | 187 | 289 |

Dimensions in in.

| W | H | L |
|-----|------|-------|
| 3,9 | 7,36 | 11,38 |

Mounting type B



- (1) Module for supply voltage
- (2) I/O module
- (3) Standard braking resistor

Dimensions in mm

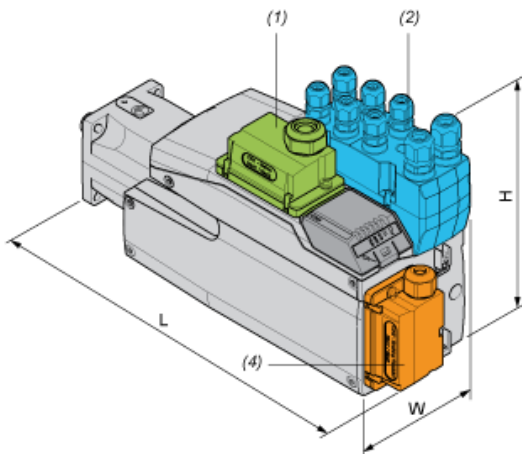
| W | H | L |
|----|-------|-----|
| 99 | 138,5 | 338 |

Dimensions in in.

| W | H | L |
|-----|------|-------|
| 3,9 | 5,45 | 13,31 |

With External Braking Resistor

Mounting type C



- (1) Module for supply voltage
- (2) I/O module
- (4) External braking resistor

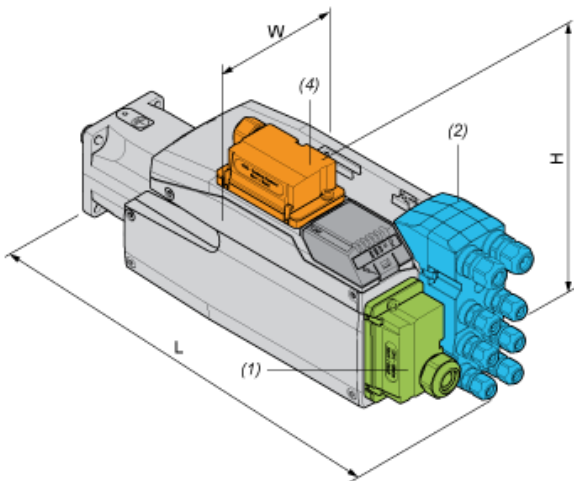
Dimensions in mm

| W | H | L |
|----|-----|-----|
| 99 | 187 | 301 |

Dimensions in in.

| W | H | L |
|-----|------|-------|
| 3,9 | 7,36 | 11,85 |

Mounting type D



- (1) Module for supply voltage
- (2) I/O module
- (4) External braking resistor

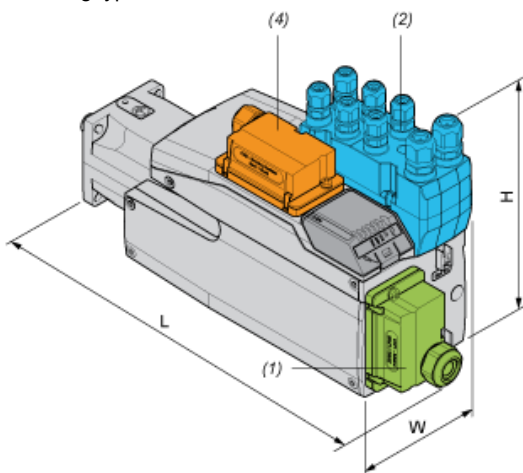
Dimensions in mm

| W | H | L |
|----|-----|-----|
| 99 | 160 | 338 |

Dimensions in in.

| W | H | L |
|-----|-----|-------|
| 3,9 | 6,3 | 13,31 |

Mounting type E



- (1) Module for supply voltage
- (2) I/O module
- (4) External braking resistor

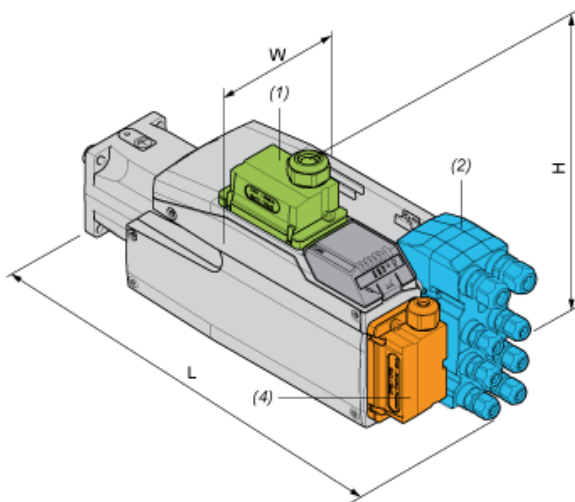
Dimensions in mm

| W | H | L |
|----|-----|-----|
| 99 | 187 | 328 |

Dimensions in in.

| W | H | L |
|-----|------|-------|
| 3,9 | 7,36 | 12,91 |

Mounting type F



- (1) Module for supply voltage
- (2) I/O module
- (4) External braking resistor

Dimensions in mm

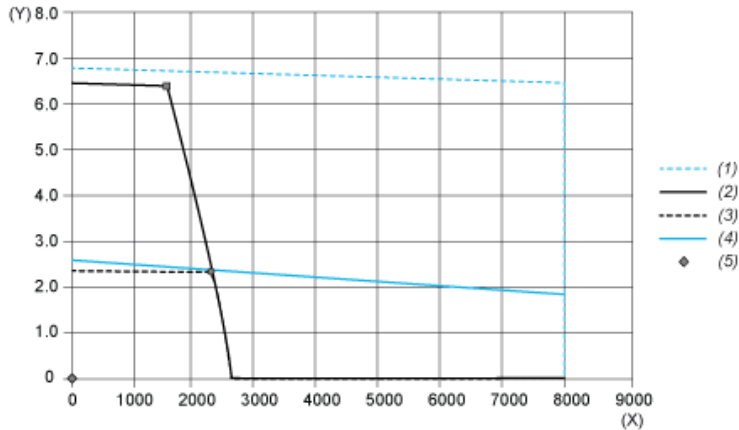
| W | H | L |
|----|-----|-----|
| 99 | 180 | 338 |

Dimensions in in.

| W | H | L |
|-----|------|-------|
| 3,9 | 7,09 | 13,31 |

Performance Curves

Torque/Speed Curves with 208 V Three Phases Supply Voltage

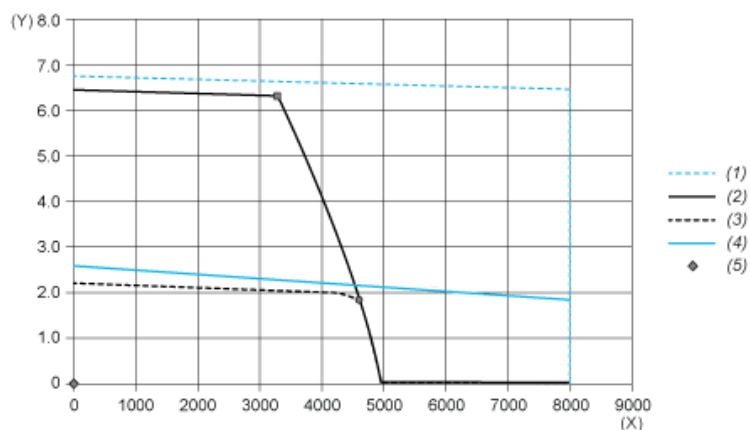


- (X) Speed (rpm)
- (Y) Torque (N.m)
- (1) Motor peak
- (2) Drive peak
- (3) Drive cont
- (4) Motor cont
- (5) Operating point

| | | Power | At Speed | With Torque |
|-------------------------|---|--------|----------|-------------|
| max. Peak Power | ■ | 1013 W | 1520 rpm | 6.36 N.m |
| max Cont. Power (Drive) | ● | 519 W | 2240 rpm | 2.21 N.m |

Performance Curves

Torque/Speed Curves with 400 V Three Phases Supply Voltage



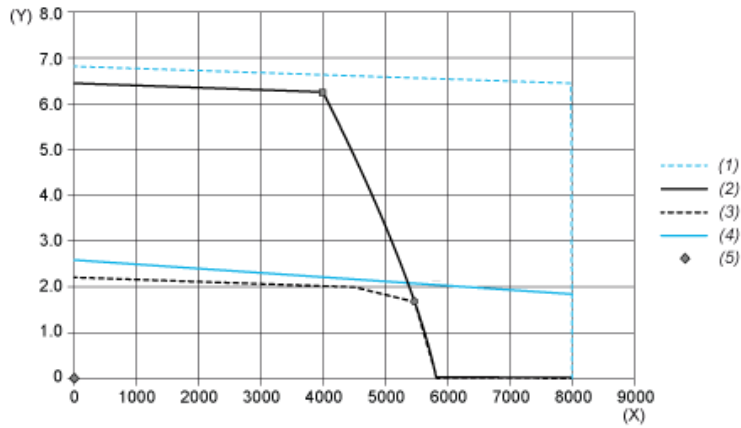
- (X) Speed (rpm)
- (Y) Torque (N.m)
- (1) Motor peak
- (2) Drive peak
- (3) Drive cont
- (4) Motor cont
- (5) Operating point

| | | Power | At Speed | With Torque |
|-----------------|---|--------|----------|-------------|
| max. Peak Power | ■ | 2161 W | 3280 rpm | 6.29 N.m |

| | | Power | At Speed | With Torque |
|-------------------------|---|-------|----------|-------------|
| max Cont. Power (Drive) | ● | 892 W | 4560 rpm | 1.87 N.m |

Performance Curves

Torque/Speed Curves with 480 V Three Phases Supply Voltage



- (X) Speed (rpm)
 (Y) Torque (N.m)
 (1) Motor peak
 (2) Drive peak
 (3) Drive cont
 (4) Motor cont
 (5) Operating point

| | | Power | At Speed | With Torque |
|-------------------------|---|--------|----------|-------------|
| max. Peak Power | ■ | 2623 W | 4000 rpm | 6.26 N.m |
| max Cont. Power (Drive) | ● | 943 W | 5600 rpm | 1.61 N.m |