



Main

| | |
|---------------------------|------------------------------|
| Range compatibility | Lexium 32i |
| Device short name | BMI |
| Product or component type | Servo motor with power stage |

Complementary

| | |
|---------------------------|---|
| Maximum mechanical speed | 8000 rpm |
| [Us] rated supply voltage | 115...230 V - 15...10 % |
| Supply voltage limits | 100...240 V |
| Network number of phases | Single phase |
| Supply frequency | 50/60 Hz - 5...5 % |
| Network frequency limits | 47.5...63 Hz |
| EMC filter | Integrated |
| Continuous output current | 3.5 A at 8 kHz |
| Output current 3s peak | 10.5 A at 230 V for 3 s |
| Continuous stall current | 3.5 A |
| Continuous stall torque | 3.4 N.m at 115...230 V single phase |
| Peak stall torque | 8.6 N.M at 115 V single phase 8.6 N.m at 230 V single phase |
| Nominal output power | 700 W at 230 V single phase 400 W at 115 V single phase |
| Nominal torque | 2.9 N.M at 115 V single phase 2.2 N.m at 230 V single phase |
| Nominal speed | 3200 rpm at 230 V single phase 1400 rpm at 115 V single phase |
| Maximum current Irms | 17.8 A at 115 V, single phase 17.8 A at 230 V, single phase |
| Product compatibility | Drive control unit LXM32i CANopen Drive control unit LXM32i EtherCAT |
| Shaft end | Keyed |
| Second shaft | Without second shaft end |
| Shaft diameter | 14 mm |
| Shaft length | 30 mm |
| Key width | 5 mm |
| Feedback type | Absolute single turn SinCos Hiperface |
| Speed feedback resolution | 32768 points/turn |
| Holding brake | Without |
| Mounting support | International standard flange |
| Motor flange size | 70 mm |
| Electrical connection | Printed circuit board connector |
| Torque constant | 0.81 N.m/A at 20 °C |

| | |
|---------------------------------------|--|
| Back emf constant | 54.44 V/krpm at 20 °C |
| Number of motor poles | 10 |
| Rotor inertia | 1.67 kg.cm ² |
| Stator resistance | 2.58 Ohm at 20 °C |
| Stator inductance | 2.28 mH at 20 °C |
| Stator electrical time constant | 0.88 ms at 20 °C |
| Maximum radial force Fr | 730 N at 1000 rpm 580 N at 2000 rpm 510 N at 3000 rpm 460 N at 4000 rpm 430 N at 5000 rpm 400 N at 6000 rpm |
| Maximum axial force Fa | 0.2 x Fr |
| Type of cooling | Natural convection |
| Length | 300 mm |
| Number of motor stacks | 3 |
| Centring collar diameter | 60 mm |
| Centring collar depth | 2.5 mm |
| Number of mounting holes | 4 |
| Mounting holes diameter | 5.5 mm |
| Circle diameter of the mounting holes | 75...82 mm |
| Distance shaft shoulder-flange | 2.5 mm |

Environment

| | |
|-------------------------|------|
| IP degree of protection | IP65 |
|-------------------------|------|

Packing Units

| | |
|------------------------------|---------|
| Unit Type of Package 1 | PCE |
| Number of Units in Package 1 | 1 |
| Package 1 Height | 25.0 cm |
| Package 1 Width | 18.6 cm |
| Package 1 Length | 55.0 cm |
| Package 1 Weight | 6.5 kg |

Offer Sustainability

| | |
|----------------------------|---|
| Sustainable offer status | Green Premium product |
| REACH Regulation | REACH Declaration |
| EU RoHS Directive | Pro-active compliance (Product out of EU RoHS legal scope) |
| Mercury free | Yes |
| China RoHS Regulation | China RoHS Declaration |
| RoHS exemption information | Yes |
| Environmental Disclosure | Product Environmental Profile |
| Circularity Profile | End Of Life Information |
| WEEE | The product must be disposed on European Union markets following specific waste collection and never end up in rubbish bins |
| PVC free | Yes |

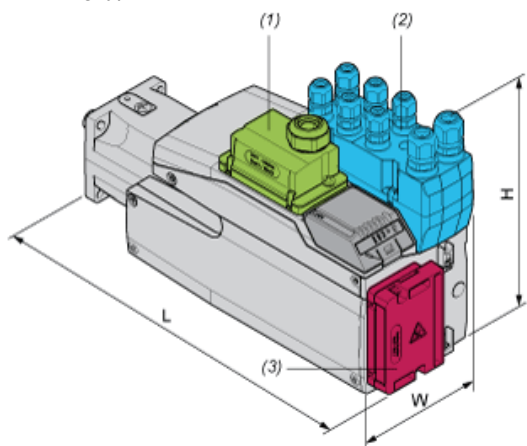
Contractual warranty

| | |
|----------|-----------|
| Warranty | 18 months |
|----------|-----------|

External Dimensions

With Standard Braking Resistor

Mounting type A



- (1) Module for supply voltage
- (2) I/O module
- (3) Standard braking resistor

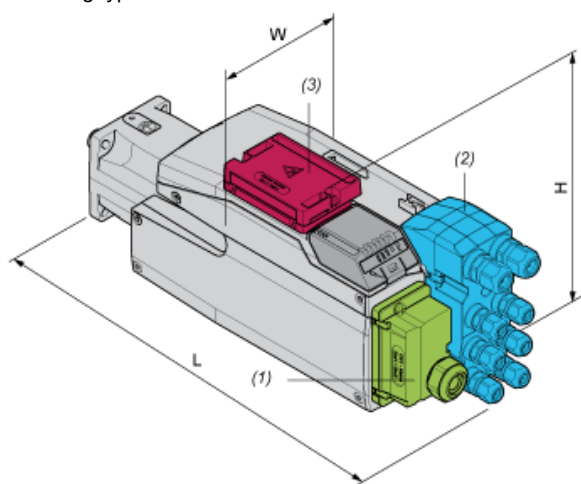
Dimensions in mm

| W | H | L |
|----|-----|-----|
| 99 | 187 | 321 |

Dimensions in in.

| W | H | L |
|------|------|-------|
| 3,90 | 7,36 | 12,64 |

Mounting type B



- (1) Module for supply voltage
- (2) I/O module
- (3) Standard braking resistor

Dimensions in mm

| W | H | L |
|----|-------|-----|
| 99 | 138,5 | 370 |

Dimensions in in.

| W | H | L |
|------|------|-------|
| 3,90 | 5,45 | 14,57 |

With External Braking Resistor

Mounting type C



- (1) Module for supply voltage
- (2) I/O module
- (4) External braking resistor

Dimensions in mm

| W | H | L |
|----|-----|-----|
| 99 | 187 | 333 |

Dimensions in in.

| W | H | L |
|------|------|-------|
| 3,90 | 7,36 | 13,11 |

Mounting type D



- (1) Module for supply voltage
- (2) I/O module
- (4) External braking resistor

Dimensions in mm

| W | H | L |
|----|-----|-----|
| 99 | 160 | 370 |

Dimensions in in.

| W | H | L |
|------|-----|-------|
| 3,90 | 6,3 | 14,57 |

Mounting type E



- (1) Module for supply voltage
- (2) I/O module
- (4) External braking resistor

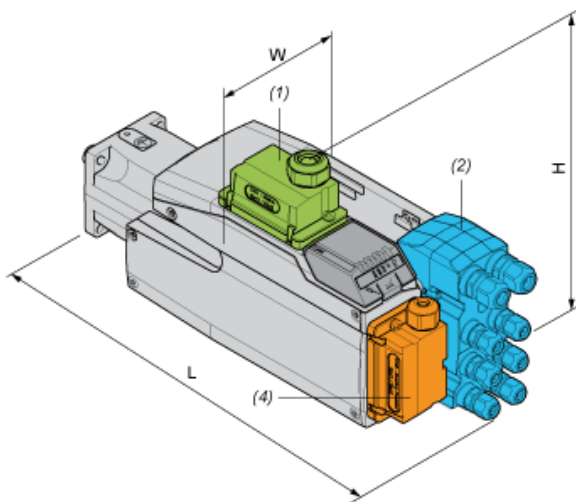
Dimensions in mm

| W | H | L |
|----|-----|-----|
| 99 | 187 | 360 |

Dimensions in in.

| W | H | L |
|------|------|-------|
| 3,90 | 7,36 | 14,17 |

Mounting type F



- (1) Module for supply voltage
- (2) I/O module
- (4) External braking resistor

Dimensions in mm

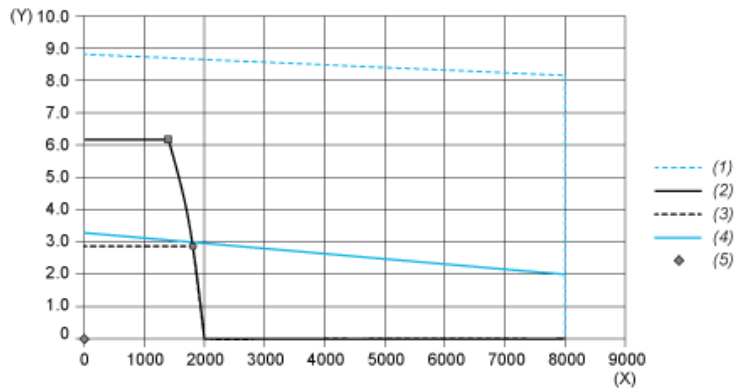
| W | H | L |
|----|-----|-----|
| 99 | 180 | 370 |

Dimensions in in.

| W | H | L |
|------|------|-------|
| 3,90 | 7,09 | 14,57 |

Performance Curves

Torque/Speed Curves with 115 V Single Phase Supply Voltage

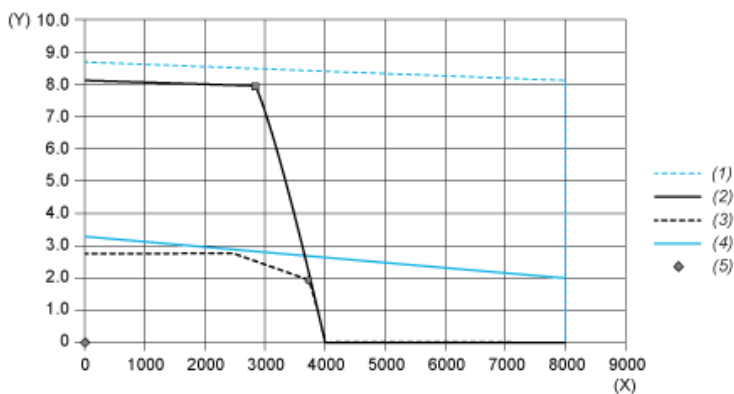


- (X) Speed (rpm)
- (Y) Torque (N.m)
- (1) Motor peak
- (2) Drive peak
- (3) Drive cont
- (4) Motor cont
- (5) Operating point

| | | Power | At Speed | With Torque |
|-------------------------|---|-------|----------|-------------|
| max. Peak Power | ■ | 889 W | 1360 rpm | 6.24 N.m |
| max Cont. Power (Drive) | ● | 501 W | 1680 rpm | 2.85 N.m |

Performance Curves

Torque/Speed Curves with 230 V Single Phase Supply Voltage



- (X) Speed (rpm)
- (Y) Torque (N.m)
- (1) Motor peak
- (2) Drive peak
- (3) Drive cont
- (4) Motor cont
- (5) Operating point

| | | Power | At Speed | With Torque |
|-------------------------|---|--------|----------|-------------|
| max. Peak Power | ■ | 2314 W | 2800 rpm | 7.89 N.m |
| max Cont. Power (Drive) | ● | 738 W | 3600 rpm | 1.96 N.m |