



Main

| | |
|---------------------------|------------------------------|
| Range compatibility | Lexium 32i |
| Device short name | BMI |
| Product or component type | Servo motor with power stage |

Complementary

| | |
|---------------------------|---|
| Maximum mechanical speed | 6000 rpm |
| [Us] rated supply voltage | 208...480 V - 15...10 % |
| Supply voltage limits | 208...480 V |
| Network number of phases | Three phase |
| Supply frequency | 50/60 Hz - 5...5 % |
| Network frequency limits | 47.5...63 Hz |
| EMC filter | Integrated |
| Continuous output current | 4 A at 8 kHz |
| Output current 3s peak | 12 A at 400 V for 3 s |
| Continuous stall current | 4 A |
| Continuous stall torque | 8.5 N.m at 208...480 V three phase |
| Peak stall torque | 19.2 N.M at 400 V three phase 19.2 N.M at 480 V three phase 19.2 N.m at 208 V three phase |
| Nominal output power | 1000 W at 208 V three phase 2000 W at 400 V three phase 2100 W at 480 V three phase |
| Nominal torque | 7.2 N.M at 208 V three phase 6.8 N.M at 400 V three phase 5.6 N.m at 480 V three phase |
| Nominal speed | 1500 rpm at 208 V three phase 3000 rpm at 400 V three phase 3700 rpm at 480 V three phase |
| Maximum current Irms | 26.7 A at 208 V, three phase 26.7 A at 400 V, three phase 26.7 A at 480 V, three phase |
| Product compatibility | Drive control unit LXM32i CANopen Drive control unit LXM32i EtherCAT |
| Shaft end | Keyed |
| Second shaft | Without second shaft end |
| Shaft diameter | 19 mm |
| Shaft length | 40 mm |
| Key width | 6 mm |
| Feedback type | Absolute multiturn SinCos Hiperface |
| Speed feedback resolution | 131072 points/turn x 4096 turns |
| Holding brake | With |

| | |
|---------------------------------------|--|
| Holding torque | 9 N.m holding brake |
| Mounting support | International standard flange |
| Motor flange size | 100 mm |
| Electrical connection | Printed circuit board connector |
| Torque constant | 1.7 N.m/A at 20 °C |
| Back emf constant | 112 V/krpm at 20 °C |
| Number of motor poles | 10 |
| Rotor inertia | 10.3 kg.cm ² |
| Stator resistance | 2.31 Ohm at 20 °C |
| Stator inductance | 11.43 mH at 20 °C |
| Stator electrical time constant | 4.95 ms at 20 °C |
| Maximum radial force Fr | 1050 N at 1000 rpm 830 N at 2000 rpm 730 N at 3000 rpm 660 N at 4000 rpm 610 N at 5000 rpm |
| Maximum axial force Fa | 0.2 x Fr |
| Brake pull-in power | 8 W |
| Type of cooling | Natural convection |
| Length | 338 mm |
| Number of motor stacks | 3 |
| Centring collar diameter | 95 mm |
| Centring collar depth | 3.5 mm |
| Number of mounting holes | 4 |
| Mounting holes diameter | 9 mm |
| Circle diameter of the mounting holes | 115 mm |
| Distance shaft shoulder-flange | 3.5 mm |

Environment

| | |
|-------------------------|------------------------------|
| IP degree of protection | Shaft: IP54 Housing: IP65 |
|-------------------------|------------------------------|

Packing Units

| | |
|------------------------------|---------|
| Unit Type of Package 1 | PCE |
| Number of Units in Package 1 | 1 |
| Package 1 Height | 25.0 cm |
| Package 1 Width | 18.6 cm |
| Package 1 Length | 55.0 cm |
| Package 1 Weight | 11.0 kg |

Offer Sustainability

| | |
|----------------------------|---|
| Sustainable offer status | Green Premium product |
| REACH Regulation | REACH Declaration |
| EU RoHS Directive | Pro-active compliance (Product out of EU RoHS legal scope) |
| Mercury free | Yes |
| China RoHS Regulation | China RoHS Declaration |
| RoHS exemption information | Yes |
| Environmental Disclosure | Product Environmental Profile |
| Circularity Profile | End Of Life Information |
| WEEE | The product must be disposed on European Union markets following specific waste collection and never end up in rubbish bins |
| PVC free | Yes |

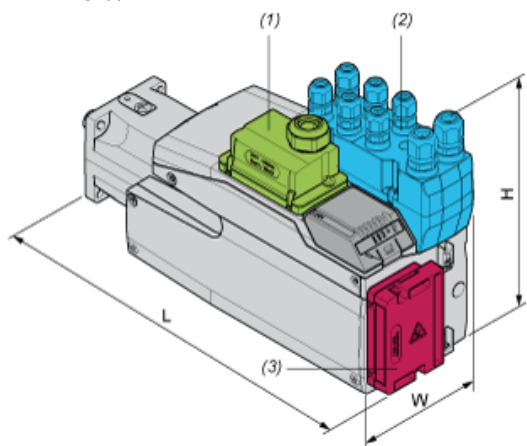
Contractual warranty

| | |
|----------|-----------|
| Warranty | 18 months |
|----------|-----------|

External Dimensions

With Standard Braking Resistor

Mounting type A



- (1) Module for supply voltage
- (2) I/O module
- (3) Standard braking resistor

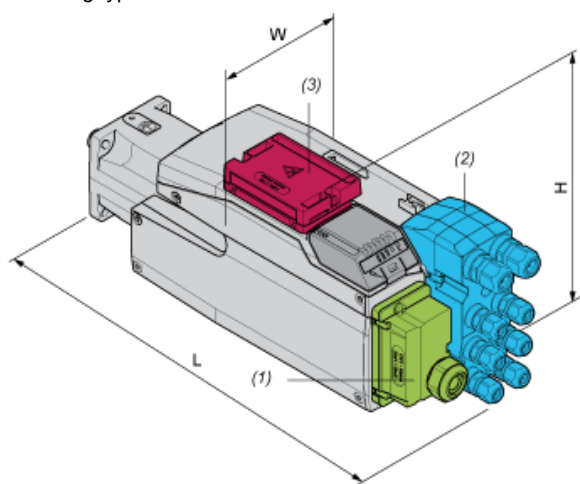
Dimensions in mm

| W | H | L |
|-------|-----|-----|
| 132,6 | 217 | 367 |

Dimensions in in.

| W | H | L |
|------|------|-------|
| 5,22 | 8,54 | 14,45 |

Mounting type B



- (1) Module for supply voltage
- (2) I/O module
- (3) Standard braking resistor

Dimensions in mm

| W | H | L |
|-------|-----|-----|
| 132,6 | 168 | 416 |

Dimensions in in.

| W | H | L |
|------|------|-------|
| 5,22 | 6,61 | 16,38 |

With External Braking Resistor

Mounting type C



- (1) Module for supply voltage
- (2) I/O module
- (4) External braking resistor

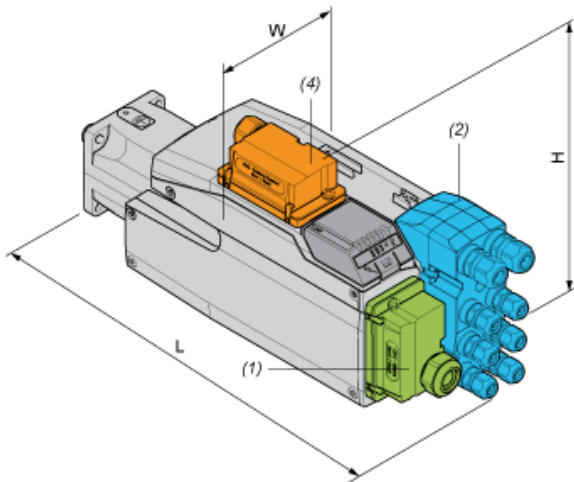
Dimensions in mm

| W | H | L |
|-------|-----|-----|
| 132,6 | 217 | 379 |

Dimensions in in.

| W | H | L |
|------|------|-------|
| 5,22 | 8,54 | 14,92 |

Mounting type D



- (1) Module for supply voltage
- (2) I/O module
- (4) External braking resistor

Dimensions in mm

| W | H | L |
|-------|-----|-----|
| 132,6 | 180 | 416 |

Dimensions in in.

| W | H | L |
|------|------|-------|
| 5,22 | 7,09 | 16,38 |

Mounting type E



- (1) Module for supply voltage
- (2) I/O module
- (4) External braking resistor

Dimensions in mm

| W | H | L |
|-------|-----|-----|
| 132,6 | 217 | 406 |

Dimensions in in.

| W | H | L |
|------|------|-------|
| 5,22 | 8,54 | 15,98 |

Mounting type F



- (1) Module for supply voltage
- (2) I/O module
- (4) External braking resistor

Dimensions in mm

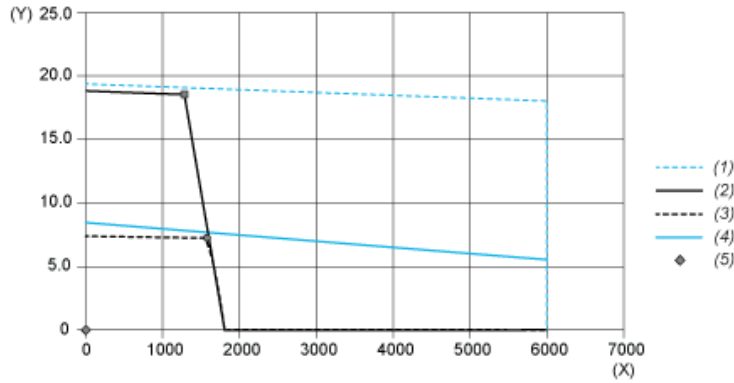
| W | H | L |
|-------|-------|-----|
| 132,6 | 206,5 | 416 |

Dimensions in in.

| W | H | L |
|------|------|-------|
| 5,22 | 8,13 | 16,38 |

Performance Curves

Torque/Speed Curves with 208 V Three Phases Supply Voltage

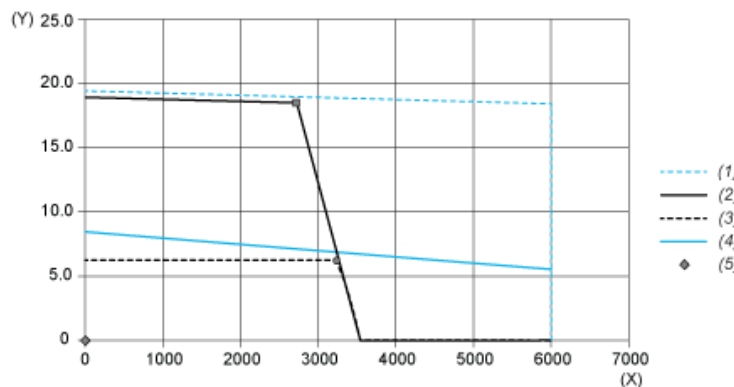


- (X) Speed (rpm)
- (Y) Torque (N.m)
- (1) Motor peak
- (2) Drive peak
- (3) Drive cont
- (4) Motor cont
- (5) Operating point

| | | Power | At Speed | With Torque |
|-------------------------|---|--------|----------|-------------|
| max. Peak Power | ■ | 2675 W | 1380 rpm | 18.51 N.m |
| max Cont. Power (Drive) | ● | 1223 W | 1620 rpm | 7.21 N.m |

Performance Curves

Torque/Speed Curves with 400 V Three Phases Supply Voltage

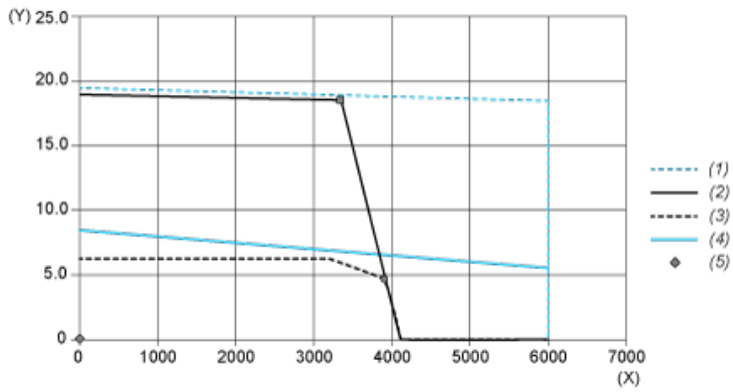


- (X) Speed (rpm)
- (Y) Torque (N.m)
- (1) Motor peak
- (2) Drive peak
- (3) Drive cont
- (4) Motor cont
- (5) Operating point

| | | Power | At Speed | With Torque |
|-------------------------|---|--------|----------|-------------|
| max. Peak Power | ■ | 5328 W | 2760 rpm | 18.44 N.m |
| max Cont. Power (Drive) | ● | 2096 W | 3240 rpm | 6.18 N.m |

Performance Curves

Torque/Speed Curves with 480 V Three Phases Supply Voltage



- (X) Speed (rpm)
- (Y) Torque (N.m)
- (1) Motor peak
- (2) Drive peak
- (3) Drive cont
- (4) Motor cont
- (5) Operating point

| | | Power | At Speed | With Torque |
|-------------------------|---|--------|----------|-------------|
| max. Peak Power | ■ | 6454 W | 3360 rpm | 18.34 N.m |
| max Cont. Power (Drive) | ● | 1994 W | 3960 rpm | 4.81 N.m |