



### Main

|                           |                              |
|---------------------------|------------------------------|
| Range compatibility       | Lexium 32i                   |
| Device short name         | BMI                          |
| Product or component type | Servo motor with power stage |

### Complementary

|                           |   |
|---------------------------|---|
| Maximum mechanical speed  | 6000 rpm  |
| [Us] rated supply voltage | 208...480 V - 15...10 %   |
| Supply voltage limits     | 208...480 V   |
| Network number of phases  | Three phase   |
| Supply frequency          | 50/60 Hz - 5...5 %  |
| Network frequency limits  | 47.5...63 Hz  |
| EMC filter                | Integrated  |
| Continuous output current | 4 A at 8 kHz  |
| Output current 3s peak    | 12 A at 400 V for 3 s   |
| Continuous stall current  | 4 A   |
| Continuous stall torque   | 8.5 N.m at 208...480 V three phase  |
| Peak stall torque         | 19.2 N.M at 400 V three phase<br>19.2 N.M at 480 V three phase<br>19.2 N.m at 208 V three phase |
| Nominal output power      | 1000 W at 208 V three phase<br>2000 W at 400 V three phase<br>2100 W at 480 V three phase       |
| Nominal torque            | 7.2 N.M at 208 V three phase<br>6.8 N.M at 400 V three phase<br>5.6 N.m at 480 V three phase    |
| Nominal speed             | 1500 rpm at 208 V three phase<br>3000 rpm at 400 V three phase<br>3700 rpm at 480 V three phase |
| Maximum current Irms      | 26.7 A at 208 V, three phase<br>26.7 A at 400 V, three phase<br>26.7 A at 480 V, three phase    |
| Product compatibility     | Drive control unit LXM32i CANopen<br>Drive control unit LXM32i EtherCAT                         |
| Shaft end                 | Keyed   |
| Second shaft              | Without second shaft end  |
| Shaft diameter            | 19 mm   |
| Shaft length              | 40 mm   |
| Key width                 | 6 mm  |
| Feedback type             | Absolute multiturn SinCos Hiperface   |
| Speed feedback resolution | 32768 points/turn x 4096 turns  |
| Holding brake             | With  |

|                                       |  |
|---------------------------------------|--|
| Holding torque                        | 9 N.m holding brake  |
| Mounting support                      | International standard flange  |
| Motor flange size                     | 100 mm   |
| Electrical connection                 | Printed circuit board connector  |
| Torque constant                       | 1.7 N.m/A at 20 °C   |
| Back emf constant                     | 112 V/krpm at 20 °C  |
| Number of motor poles                 | 10   |
| Rotor inertia                         | 10.3 kg.cm <sup>2</sup>  |
| Stator resistance                     | 2.31 Ohm at 20 °C  |
| Stator inductance                     | 11.43 mH at 20 °C  |
| Stator electrical time constant       | 4.95 ms at 20 °C   |
| Maximum radial force Fr               | 1050 N at 1000 rpm<br>830 N at 2000 rpm<br>730 N at 3000 rpm<br>660 N at 4000 rpm<br>610 N at 5000 rpm |
| Maximum axial force Fa                | 0.2 x Fr   |
| Brake pull-in power                   | 8 W  |
| Type of cooling                       | Natural convection   |
| Length                                | 338 mm   |
| Number of motor stacks                | 3  |
| Centring collar diameter              | 95 mm  |
| Centring collar depth                 | 3.5 mm   |
| Number of mounting holes              | 4  |
| Mounting holes diameter               | 9 mm   |
| Circle diameter of the mounting holes | 115 mm   |
| Distance shaft shoulder-flange        | 3.5 mm   |

## Environment

|                         |                              |
|-------------------------|------------------------------|
| IP degree of protection | Shaft: IP54<br>Housing: IP65 |
|-------------------------|------------------------------|

## Packing Units

|                              |         |
|------------------------------|---------|
| Unit Type of Package 1       | PCE     |
| Number of Units in Package 1 | 1       |
| Package 1 Height             | 25.0 cm |
| Package 1 Width              | 18.6 cm |
| Package 1 Length             | 55.0 cm |
| Package 1 Weight             | 11.0 kg |

## Offer Sustainability

|                            |   |
|----------------------------|---|
| Sustainable offer status   | Green Premium product   |
| REACH Regulation           | <a href="#">REACH Declaration</a>   |
| EU RoHS Directive          | Pro-active compliance (Product out of EU RoHS legal scope)  |
| Mercury free               | Yes   |
| China RoHS Regulation      | <a href="#">China RoHS Declaration</a>  |
| RoHS exemption information | <a href="#">Yes</a>   |
| Environmental Disclosure   | <a href="#">Product Environmental Profile</a>   |
| Circularity Profile        | <a href="#">End Of Life Information</a>   |
| WEEE                       | The product must be disposed on European Union markets following specific waste collection and never end up in rubbish bins |
| PVC free                   | Yes   |

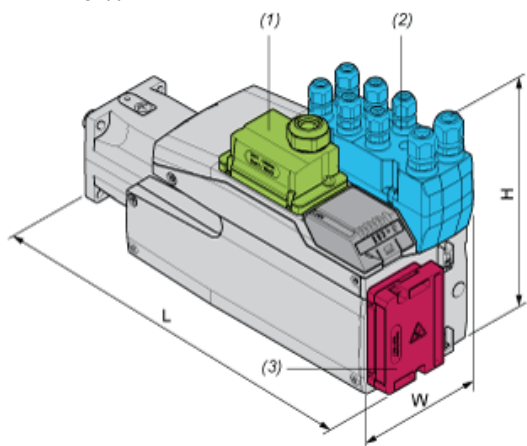
## Contractual warranty

|          |           |
|----------|-----------|
| Warranty | 18 months |
|----------|-----------|

External Dimensions

With Standard Braking Resistor

Mounting type A



- (1) Module for supply voltage
- (2) I/O module
- (3) Standard braking resistor

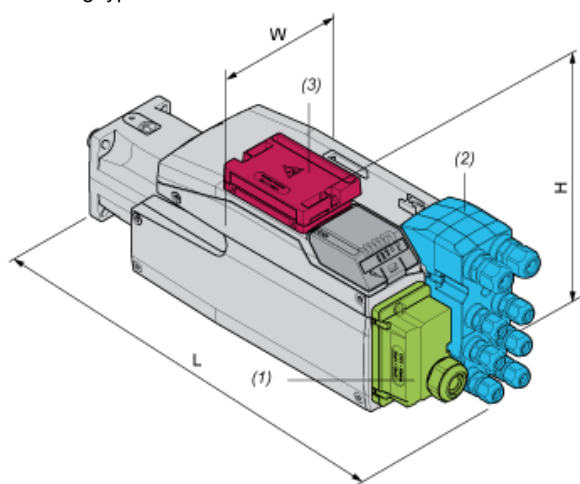
Dimensions in mm

| W     | H   | L   |
|-------|-----|-----|
| 132,6 | 217 | 367 |

Dimensions in in.

| W    | H    | L     |
|------|------|-------|
| 5,22 | 8,54 | 14,45 |

Mounting type B



- (1) Module for supply voltage
- (2) I/O module
- (3) Standard braking resistor

Dimensions in mm

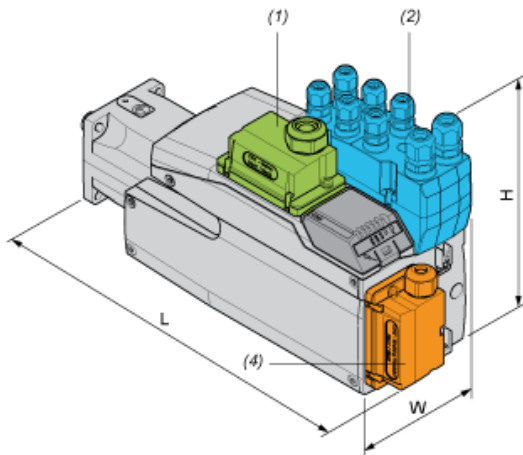
| W     | H   | L   |
|-------|-----|-----|
| 132,6 | 168 | 416 |

Dimensions in in.

| W    | H    | L     |
|------|------|-------|
| 5,22 | 6,61 | 16,38 |

### With External Braking Resistor

Mounting type C



- (1) Module for supply voltage
- (2) I/O module
- (4) External braking resistor

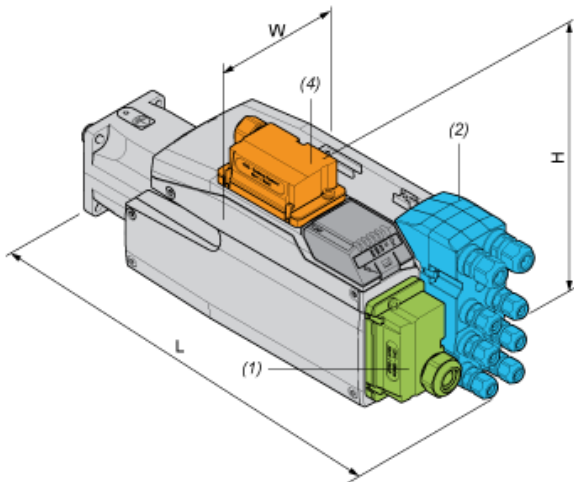
Dimensions in mm

| W     | H   | L   |
|-------|-----|-----|
| 132,6 | 217 | 379 |

Dimensions in in.

| W    | H    | L     |
|------|------|-------|
| 5,22 | 8,54 | 14,92 |

Mounting type D



- (1) Module for supply voltage
- (2) I/O module
- (4) External braking resistor

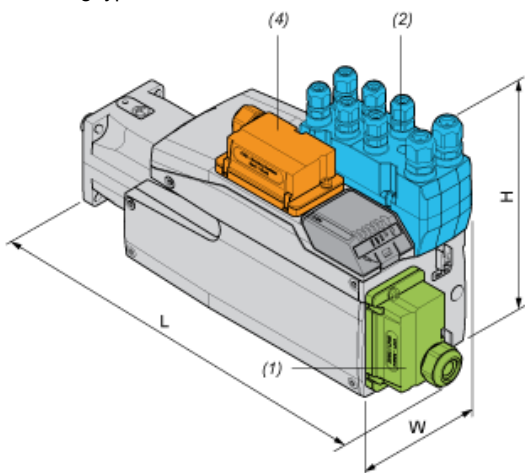
Dimensions in mm

| W     | H   | L   |
|-------|-----|-----|
| 132,6 | 180 | 416 |

Dimensions in in.

| W    | H    | L     |
|------|------|-------|
| 5,22 | 7,09 | 16,38 |

### Mounting type E



- (1) Module for supply voltage
- (2) I/O module
- (4) External braking resistor

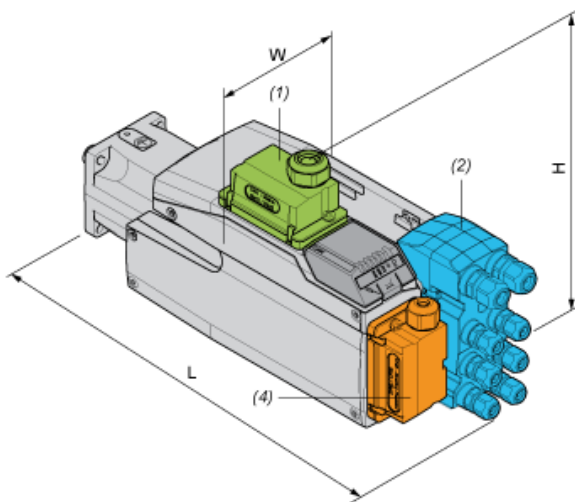
Dimensions in mm

| W     | H   | L   |
|-------|-----|-----|
| 132,6 | 217 | 406 |

Dimensions in in.

| W    | H    | L     |
|------|------|-------|
| 5,22 | 8,54 | 15,98 |

### Mounting type F



- (1) Module for supply voltage
- (2) I/O module
- (4) External braking resistor

Dimensions in mm

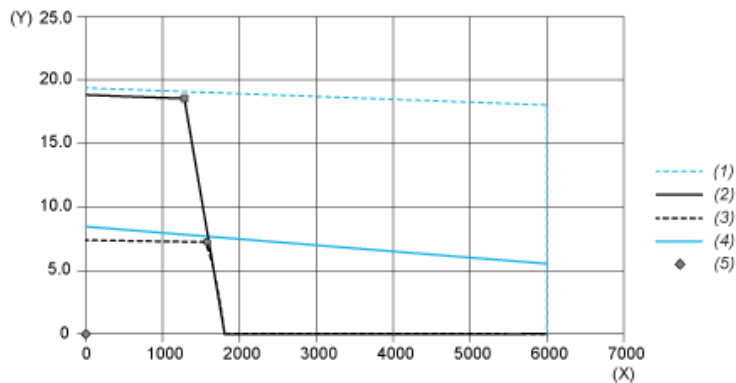
| W     | H     | L   |
|-------|-------|-----|
| 132,6 | 206,5 | 416 |

Dimensions in in.

| W    | H    | L     |
|------|------|-------|
| 5,22 | 8,13 | 16,38 |

Performance Curves

Torque/Speed Curves with 208 V Three Phases Supply Voltage

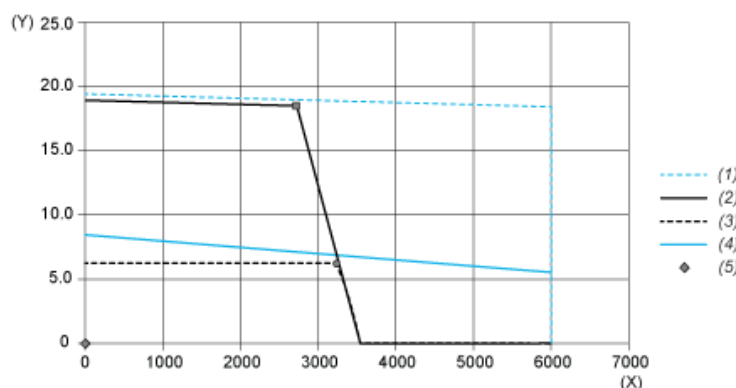


- (X) Speed (rpm)
- (Y) Torque (N.m)
- (1) Motor peak
- (2) Drive peak
- (3) Drive cont
- (4) Motor cont
- (5) Operating point

|                         |   | Power  | At Speed | With Torque |
|-------------------------|---|--------|----------|-------------|
| max. Peak Power         | ■ | 2675 W | 1380 rpm | 18.51 N.m   |
| max Cont. Power (Drive) | ● | 1223 W | 1620 rpm | 7.21 N.m    |

Performance Curves

Torque/Speed Curves with 400 V Three Phases Supply Voltage

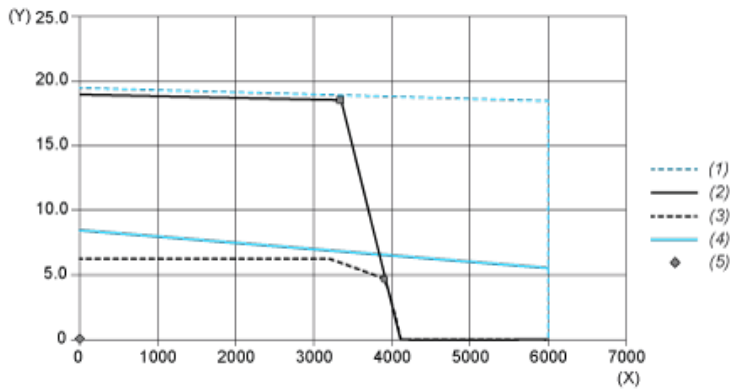


- (X) Speed (rpm)
- (Y) Torque (N.m)
- (1) Motor peak
- (2) Drive peak
- (3) Drive cont
- (4) Motor cont
- (5) Operating point

|                         |   | Power  | At Speed | With Torque |
|-------------------------|---|--------|----------|-------------|
| max. Peak Power         | ■ | 5328 W | 2760 rpm | 18.44 N.m   |
| max Cont. Power (Drive) | ● | 2096 W | 3240 rpm | 6.18 N.m    |

## Performance Curves

### Torque/Speed Curves with 480 V Three Phases Supply Voltage



- (X) Speed (rpm)
- (Y) Torque (N.m)
- (1) Motor peak
- (2) Drive peak
- (3) Drive cont
- (4) Motor cont
- (5) Operating point

|                         |   | Power  | At Speed | With Torque |
|-------------------------|---|--------|----------|-------------|
| max. Peak Power         | ■ | 6454 W | 3360 rpm | 18.34 N.m   |
| max Cont. Power (Drive) | ● | 1994 W | 3960 rpm | 4.81 N.m    |