



Main

| | |
|---------------------------|---|
| Product or component type | Synchronous motor |
| Device short name | BMP |
| Maximum mechanical speed | 3600 rpm |
| Nominal output power | 370 W with drive ATV32 at 0.37 kW 200 V single phase 370 W with drive ATV320 at 0.37 kW 200 V single phase |
| Nominal torque | 1.18 N.M with drive ATV32 at 0.37 kW 200 V single phase 1.18 N.m with drive ATV320 at 0.37 kW 200 V single phase |
| Nominal speed | 3000 rpm with drive ATV32 at 0.37 kW 200 V single phase 3000 rpm with drive ATV320 at 0.37 kW 200 V single phase |
| Product compatibility | Variable speed drive ATV32 at 0.37 kW 200 V single phase Variable speed drive ATV320 at 0.37 kW 200...240 V single phase |
| Shaft end | Keyed |
| IP degree of protection | IP65 standard IP67 with IP67 kit |
| Holding brake | Without |
| Mounting support | International standard flange |
| Electrical connection | Rotatable right-angled connector |

Complementary

| | |
|----------------------------------|---|
| Range compatibility | Altivar Machine ATV320 Altivar 32 |
| [Us] rated supply voltage | 230 V |
| Network number of phases | Single phase |
| Maximum current I _{rms} | 5 A with drive ATV32 at 0.37 kW 200 V single phase 5 A with drive ATV320 at 0.37 kW 200 V single phase |
| Nominal operating frequency | 250 Hz with drive ATV32 at 0.37 kW 200 V single phase 250 Hz with drive ATV320 at 0.37 kW 200 V single phase |
| Minimum operating frequency | 43 Hz with drive ATV32 at 0.37 kW 200 V single phase 43 Hz with drive ATV320 at 0.37 kW 200 V single phase |
| Maximum operating frequency | 300 Hz with drive ATV32 at 0.37 kW 200 V single phase 300 Hz with drive ATV320 at 0.37 kW 200 V single phase |
| Shaft diameter | 11 mm |
| Shaft length | 23 mm |
| Key width | 4 mm |
| Motor flange size | 70 mm |
| Torque constant | 0.81 N.m/A at 40 °C |
| Number of motor poles | 5 |
| Number of motor stacks | 1 |
| Rotor inertia | 0.59 kg.cm ² |
| Stator resistance | 5.37 Ohm at 40 °C |
| Stator inductance | 12.15 MH for q-axis winding at 40 °C 12.15 mH for d-axis winding at 40 °C |

The information provided in this documentation contains general descriptions and/or technical characteristics of the performance of the products contained herein. This documentation is not intended as a substitute for and is not to be used for determining suitability or reliability of these products for specific user applications. It is the duty of any such user or integrator to perform the appropriate and complete risk analysis, evaluation and testing of the products with respect to the relevant specific application or use thereof. Neither Schneider Electric Industries SAS nor any of its affiliates or subsidiaries shall be responsible or liable for misuse of the information contained herein.

| | |
|---------------------------------------|--|
| Maximum radial force Fr | 660 N at 1000 rpm 520 N at 2000 rpm 460 N at 3000 rpm 410 N at 4000 rpm |
| Maximum axial force Fa | 0.2 x Fr |
| Type of cooling | Natural convection |
| Length | 122 mm |
| Centring collar diameter | 60 mm |
| Centring collar depth | 2.5 mm |
| Number of mounting holes | 4 |
| Mounting holes diameter | 5.5 mm |
| Circle diameter of the mounting holes | 75...82 mm |
| Net weight | 1.6 kg |

Packing Units

| | |
|------------------------------|-----------|
| Unit Type of Package 1 | PCE |
| Number of Units in Package 1 | 1 |
| Package 1 Height | 11.0 cm |
| Package 1 Width | 19.0 cm |
| Package 1 Length | 40.0 cm |
| Package 1 Weight | 2.078 kg |
| Unit Type of Package 2 | P06 |
| Number of Units in Package 2 | 6 |
| Package 2 Height | 77.0 cm |
| Package 2 Width | 80.0 cm |
| Package 2 Length | 60.0 cm |
| Package 2 Weight | 20.968 kg |

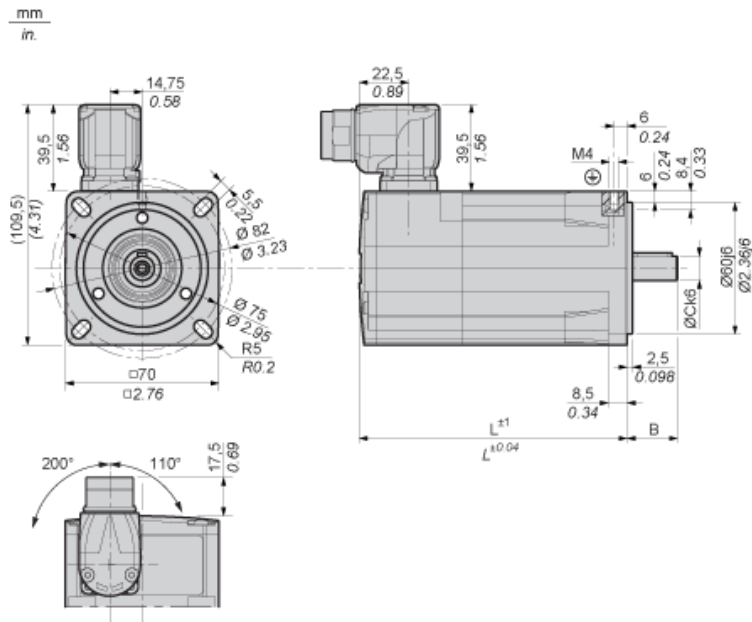
Offer Sustainability

| | |
|----------------------------|---|
| REACH Regulation | REACH Declaration |
| EU RoHS Directive | Pro-active compliance (Product out of EU RoHS legal scope) |
| Mercury free | Yes |
| China RoHS Regulation | China RoHS Declaration |
| RoHS exemption information | Yes |
| WEEE | The product must be disposed on European Union markets following specific waste collection and never end up in rubbish bins |
| PVC free | Yes |

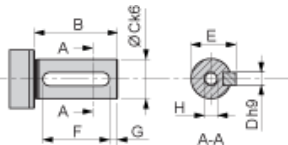
Contractual warranty

| | |
|----------|-----------|
| Warranty | 18 months |
|----------|-----------|

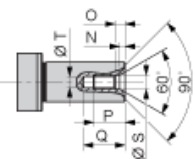
Dimensions



Parallel Key According to DIN 6885 A



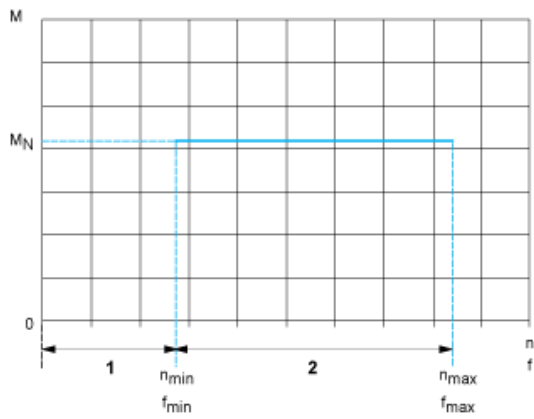
Female Thread of Shaft According to DIN 332-D



| | | |
|-----|------|------|
| L | mm | 122 |
| in. | 4.80 | |
| B | mm | 23 |
| in. | 0.90 | |
| C | mm | 11 |
| in. | 0.43 | |
| D | mm | 4 |
| in. | 0.16 | |
| E | mm | 12.5 |
| in. | 0.49 | |
| F | mm | 18 |
| in. | 0.71 | |
| G | mm | 2.5 |
| in. | 0.10 | |

| | | |
|-----|------|-----|
| H | | M4 |
| N | mm | 2.1 |
| in. | 0.08 | |
| O | mm | 3.2 |
| in. | 0.12 | |
| P | mm | 10 |
| in. | 0.39 | |
| Q | mm | 14 |
| in. | 0.55 | |
| S | mm | 4.3 |
| in. | 0.17 | |
| T | mm | 3.3 |
| in. | 0.13 | |

Performance curves



- M : Torque in Nm
- n : Speed in rpm
- f : frequency in Hz
- 1 : Only permissible during acceleration and deceleration phases.
- 2 : Continuous operation with the default values from the configuration file.