

# BMXSDO0802

safety discrete output module, Modicon X80, 8 outputs, 24V DC positive



## Main

|                           |   |
|---------------------------|---|
| Range of product          | Modicon X80   |
| Product or component type | Discrete output module                                  |
| Discrete output number    | 8 conforming to EN/IEC 61131-2                          |
| Discrete output type      | Solid state<br>Not isolated                             |
| Discrete output logic     | Positive  |
| Discrete output voltage   | 24 V 19...30 V DC                                       |
| Discrete output current   | 0.5 A   |
| Output compatibility      | Not IEC 61131-2 DC input<br>IEC 61131-2 type 3 DC input |

## Complementary

|                                 |  |
|---------------------------------|--|
| Current per channel             | 0.625 A  |
| Maximum current per module      | 10 A   |
| Maximum leakage current         | 0.5 mA at state 0  |
| Maximum voltage drop            | <1.2 V at state 1  |
| Insulation resistance           | > 10 MOhm 500 V DC   |
| Power dissipation in W          | 4.4 W  |
| Response time on output         | 1.2 ms   |
| Paralleling of outputs          | Yes : 2 maximum  |
| Typical current consumption     | 264 mA at 3.3 V DC<br>15 mA at 24 V  |
| MTBF reliability                | 383000 H   |
| Protection type                 | Reverse polarity protection<br>Overload protection<br>Overvoltage protection<br>Short-circuit protection   |
| Output overload protection      | With current limiter<br>With electronic circuit breaker $1.5 I_n < I_d < 2 I_n$  |
| Output overvoltage protection   | With transil diode   |
| Output short-circuit protection | With 2 A external fuse   |
| Reverse polarity protection     | Reverse mounted diode  |
| Voltage detection threshold     | < 14 V DC sensor fault<br>> 18 V DC sensor OK  |
| Maximum tungsten load           | 6 W  |
| Switching frequency             | 0.5/LI <sup>2</sup> Hz   |
| Load impedance ohmic            | >= 48 Ohm  |
| Status LED                      | 1 LED (green) module operating (RUN)<br>1 LED per channel (green) channel diagnostic<br>1 LED (red) module error (ERR)<br>1 LED (red) module I/O |
| Net weight                      | 0.12 kg  |

The information provided in this documentation contains general descriptions and/or technical characteristics of the performance of the products contained herein. This documentation is not intended as a substitute for and is not to be used for determining suitability or reliability of these products for specific user applications. It is the duty of any such user or integrator to perform the appropriate and complete risk analysis, evaluation and testing of the products with respect to the relevant specific application or use thereof. Neither Schneider Electric Industries SAS nor any of its affiliates or subsidiaries shall be responsible or liable for misuse of the information contained herein.

## Environment

|                                       |  |
|---------------------------------------|--|
| IP degree of protection               | IP20   |
| Environmental characteristic          | Gas resistant class Gx<br>Gas resistant class 3C4<br>Dust resistant class 3S4<br>Sand resistant class 3S4<br>Salt resistant level 2<br>Mold growth resistant class 3B2<br>Fungal spore resistant class 3B2 |
| Dielectric strength                   | 1500 V AC at 50/60 Hz 1 minute, output/ground<br>1500 V AC at 50/60 Hz 1 minute, output/internal logic   |
| Vibration resistance                  | 3 gn   |
| Shock resistance                      | 15 gn  |
| Ambient air temperature for storage   | -40...85 °C  |
| Ambient air temperature for operation | -25...60 °C  |
| Relative humidity                     | 5...95 % at 55 °C without condensation   |
| Protective treatment                  | Conformal coating  |
| Operating altitude                    | 0...2000 m<br>2000...5000 m with derating factor   |

## Packing Units

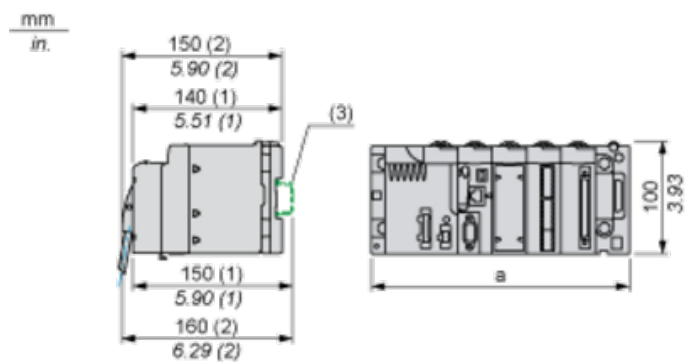
|                              |           |
|------------------------------|-----------|
| Unit Type of Package 1       | PCE       |
| Number of Units in Package 1 | 1         |
| Package 1 Height             | 5.500 cm  |
| Package 1 Width              | 18.000 cm |
| Package 1 Length             | 26.000 cm |
| Package 1 Weight             | 341.000 g |
| Unit Type of Package 2       | S03       |
| Number of Units in Package 2 | 8         |
| Package 2 Height             | 30.000 cm |
| Package 2 Width              | 30.000 cm |
| Package 2 Length             | 40.000 cm |
| Package 2 Weight             | 3.209 kg  |

## Offer Sustainability

|                            |   |
|----------------------------|---|
| REACH Regulation           | <a href="#">REACH Declaration</a>   |
| EU RoHS Directive          | Pro-active compliance (Product out of EU RoHS legal scope)  |
| Mercury free               | Yes   |
| China RoHS Regulation      | <a href="#">China RoHS Declaration</a>  |
| RoHS exemption information | <a href="#">Yes</a>   |
| WEEE                       | The product must be disposed on European Union markets following specific waste collection and never end up in rubbish bins |

Modules Mounted on Racks

Dimensions



(1) With removable terminal block (cage, screw or spring).

(2) With FCN connector.

(3) On AM1 ED rail: 35 mm wide, 15 mm deep. Only possible with BMXXBP0400/0400H/0600/0600H/0800/0800H rack.

| Rack references            | a in mm | a in in. |
|----------------------------|---------|----------|
| BMXXBP0400 and BMXXBP0400H | 242.4   | 09.54    |
| BMXXBP0600 and BMXXBP0600H | 307.6   | 12.11    |
| BMXXBP0800 and BMXXBP0800H | 372.8   | 14.68    |
| BMXXBP1200 and BMXXBP1200H | 503.2   | 19.81    |