

BSH0401P06F2A

servo motor BSH, Lexium 32, 0.21N.m,
9000rpm, 40mm, untapped shaft, 16 Sincos
single turn, with brake, IP50



Main

Product or component type	Servo motor
Device short name	BSH
Maximum mechanical speed	10000 rpm
Continuous stall torque	0.21 N.M for LXM32.U60N4 at 1.5 A, 480 V, three phase 0.21 N.M for LXM32.U60N4 at 1.5 A, 400 V, three phase 0.21 N.m for LXM32.U45M2 at 1.5 A, 230 V, single phase
Peak stall torque	0.8 N.M for LXM32.U60N4 at 1.5 A, 480 V, three phase 0.8 N.M for LXM32.U60N4 at 1.5 A, 400 V, three phase 0.8 N.m for LXM32.U45M2 at 1.5 A, 230 V, single phase
Nominal output power	166 W for LXM32.U60N4 at 1.5 A, 480 V, three phase 166 W for LXM32.U60N4 at 1.5 A, 400 V, three phase 77 W for LXM32.U45M2 at 1.5 A, 230 V, single phase
Nominal torque	0.176 N.M for LXM32.U60N4 at 1.5 A, 480 V, three phase 0.176 N.M for LXM32.U60N4 at 1.5 A, 400 V, three phase 0.184 N.m for LXM32.U45M2 at 1.5 A, 230 V, single phase
Nominal speed	9000 rpm for LXM32.U60N4 at 1.5 A, 480 V, three phase 9000 rpm for LXM32.U60N4 at 1.5 A, 400 V, three phase 4000 rpm for LXM32.U45M2 at 1.5 A, 230 V, single phase
Shaft end	Smooth shaft
IP degree of protection	IP50 standard
Speed feedback resolution	32768 points/turn
Holding brake	With
Mounting support	International standard flange
Electrical connection	Rotatable right-angled connectors

Complementary

Range compatibility	Lexium 32
Supply voltage max	400 V
Network number of phases	Three phase
Continuous stall current	1.12 A
Maximum continuous power	220 W
Maximum current Irms	4.7 A for LXM32.U60N4 at 480 V 4.7 A for LXM32.U60N4 at 400 V 4.7 A for LXM32.U45M2 at 230 V
Maximum permanent current	1.12 A

The information provided in this documentation contains general descriptions and/or technical characteristics of the performance of the products contained herein. This documentation is not intended as a substitute for and is not to be used for determining suitability or reliability of these products for specific user applications. It is the duty of any such user or integrator to perform the appropriate and complete risk analysis, evaluation and testing of the products with respect to the relevant specific application or use thereof. Neither Schneider Electric Industries SAS nor any of its affiliates or subsidiaries shall be responsible or liable for misuse of the information contained herein.

Switching frequency	8 kHz
Second shaft	Without second shaft end
Shaft diameter	8 mm
Shaft length	25 mm
Feedback type	Single turn SinCos Hiperface
Holding torque	0.4 N.m holding brake
Motor flange size	40 mm
Number of motor stacks	1
Torque constant	0.19 N.m/A at 120 °C
Back emf constant	13.6 V/krpm at 20 °C
Number of motor poles	10
Rotor inertia	0.04 kg.cm ²
Stator resistance	17.2 Ohm at 20 °C
Stator inductance	14.6 mH at 20 °C
Stator electrical time constant	0.85 ms at 20 °C
Maximum axial force Fa	0.2 x Fr
Brake pull-in power	5.8 W
Type of cooling	Natural convection
Length	99.4 mm
Centring collar diameter	30 mm
Centring collar depth	2.5 mm
Number of mounting holes	4
Mounting holes diameter	4.5 mm
Circle diameter of the mounting holes	46 mm
Net weight	0.6 kg

Packing Units

Unit Type of Package 1	PCE
Number of Units in Package 1	1
Package 1 Height	11.0 cm
Package 1 Width	17.0 cm
Package 1 Length	24.0 cm
Package 1 Weight	627.0 g

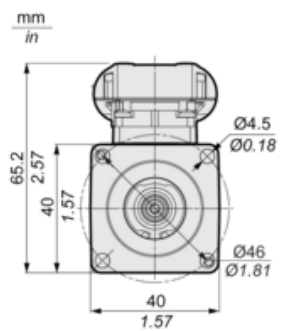
Offer Sustainability

Sustainable offer status	Green Premium product
REACH Regulation	REACH Declaration
EU RoHS Directive	Pro-active compliance (Product out of EU RoHS legal scope)
Mercury free	Yes
China RoHS Regulation	China RoHS Declaration
RoHS exemption information	Yes
Environmental Disclosure	Product Environmental Profile
Circularity Profile	No need of specific recycling operations
WEEE	The product must be disposed on European Union markets following specific waste collection and never end up in rubbish bins
PVC free	Yes

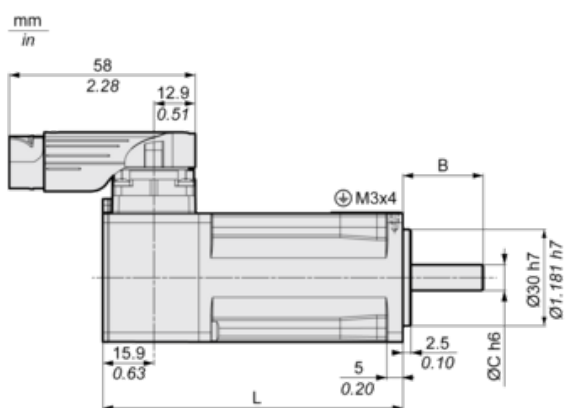
Servo Motors Dimensions

For Servo Motor with Brake

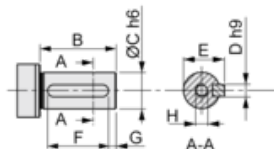
Front view



Left view



DIN 6885 A



	Dimensions in mm	Dimensions in in.
L	99.4	3.91
B	25	0.98
C	8	0.31
D	3	0.12
E	9.2	0.36
F	12	0.47
G	4	0.16
H	DIN 332 DS M3 x 9	
A	DIN 6885-A3x3x12	