

## Main

|                           |  |
|---------------------------|--|
| Range of product          | Lexium integrated drive                    |
| Product or component type | Motion integrated drive                    |
| Device short name         | ILS  |
| Motor type                | 3-phase stepper motor                      |
| Number of motor poles     | 6  |
| Network number of phases  | Single phase                               |
| [Us] rated supply voltage | 36 V<br>24 V                               |
| Network type              | DC   |
| Communication interface   | CANopen DS301, integrated                  |
| Length                    | 115.9 mm                                   |
| Winding type              | Medium speed of rotation and medium torque |
| Electrical connection     | Industrial connector                       |
| Holding brake             | Without                                    |
| Gear box type             | Without                                    |
| Nominal speed             | 300 rpm at 24 V<br>600 rpm at 36 V         |
| Nominal torque            | 0.9 N.m                                    |
| Holding torque            | 1.02 N.m                                   |

## Complementary

|                                       |   |
|---------------------------------------|---|
| Transmission rate                     | 50, 100, 125, 250, 500, 800 and 1000 kbauds   |
| Mounting support                      | Flange  |
| Motor flange size                     | 57 mm   |
| Number of motor stacks                | 2   |
| Centring collar diameter              | 38.1 mm   |
| Centring collar depth                 | 1.6 mm  |
| Number of mounting holes              | 4   |
| Mounting holes diameter               | 5.2 mm  |
| Circle diameter of the mounting holes | 66.6 mm   |
| Feedback type                         | Index pulse   |
| Shaft end                             | Untapped  |
| Second shaft                          | Without second shaft end  |
| Shaft diameter                        | 6.35 mm   |
| Shaft length                          | 21 mm   |
| Supply voltage limits                 | 18...40 V   |
| Current consumption                   | 3500 mA maximum   |
| Associated fuse rating                | 10 A  |
| Input/output type                     | 4 signals (each be used as input or output)   |
| Voltage state 0 guaranteed            | -3...4.5 V  |
| Voltage state 1 guaranteed            | 15...30 V   |
| Discrete input current                | 10 MA at 24 V on/STO_A for safety input<br>3 MA at 24 V on/STO_B for safety input<br>2 mA at 24 V for 24 V signal interface |
| Discrete output voltage               | 23...25 V   |

|                           |  |
|---------------------------|--|
| Maximum switching current | 100 MA per output<br>200 mA total  |
| Protection type           | Overload of output voltage<br>Short circuit of the output voltage<br>Safe torque off |
| Peak stall torque         | 0.9 N.m  |
| Continuous stall torque   | 0.9 N.m  |
| Speed feedback resolution | 20000 points/turn  |
| Accuracy error            | +/- 6 arc min  |
| Rotor inertia             | 0.22 kg.cm <sup>2</sup>  |
| Maximum mechanical speed  | 3000 rpm   |
| Maximum radial force Fr   | 24 N   |
| Maximum axial force Fa    | 100 N (tensile force)<br>8.4 N (force pressure)                                      |
| Service life in hours     | 20000 h bearing  |
| Marking                   | CE   |
| Type of cooling           | Natural convection   |
| Net weight                | 1.6 kg   |

## Environment

|   |  |
|---|--|
| Standards   | IEC 61800-3<br>IEC 50178<br>EN 61800-3 : 2001-02<br>IEC 50347<br>EN 61800-3:2001, second environment<br>IEC 61800-3, Ed 2<br>IEC 60072-1 |
| Product certifications                                | TÜV[RETURN]cUL[RETURN]UL   |
| Ambient air temperature for operation                 | 50...65 °C (with power derating of 2 % per °C)<br>0...50 °C (without derating)   |
| Permissible ambient air temperature around the device | 105 °C power amplifier<br>110 °C motor   |
| Ambient air temperature for storage                   | -25...70 °C  |
| Operating altitude                                    | <= 1000 m without derating   |
| Relative humidity                                     | 15...85 % without condensation   |
| Vibration resistance                                  | 20 m/s <sup>2</sup> (f= 10...500 Hz) 10 cycles conforming to IEC 60068-2-6   |
| Shock resistance                                      | 150 m/s <sup>2</sup> 1000 shocks conforming to IEC 60068-2-29  |
| IP degree of protection                               | IP41 shaft bushing: conforming to IEC 60034-5<br>IP54 total except shaft bushing: conforming to IEC 60034-5                              |

## Packing Units

|                              |         |
|------------------------------|---------|
| Unit Type of Package 1       | PCE     |
| Number of Units in Package 1 | 1       |
| Package 1 Height             | 10.5 cm |
| Package 1 Width              | 19.0 cm |
| Package 1 Length             | 39.0 cm |
| Package 1 Weight             | 2.4 kg  |

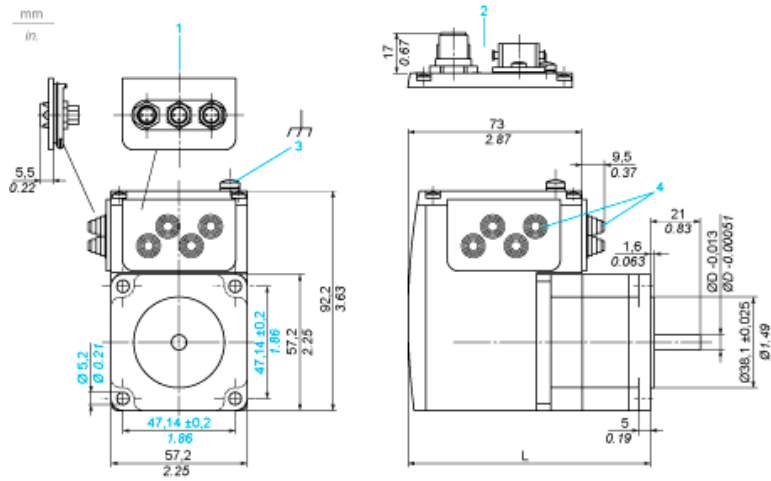
## Offer Sustainability

|                            |   |
|----------------------------|---|
| Sustainable offer status   | Green Premium product   |
| REACH Regulation           |  <a href="#">REACH Declaration</a>             |
| EU RoHS Directive          | Pro-active compliance (Product out of EU RoHS legal scope)  |
| Mercury free               | Yes   |
| China RoHS Regulation      |  <a href="#">China RoHS Declaration</a>        |
| RoHS exemption information |  <a href="#">Yes</a>                           |
| Environmental Disclosure   |  <a href="#">Product Environmental Profile</a> |
| Circularity Profile        |  <a href="#">End Of Life Information</a>       |

|                             |   |
|-----------------------------|---|
| WEEE                        | The product must be disposed on European Union markets following specific waste collection and never end up in rubbish bins |
| PVC free                    | Yes   |
| <b>Contractual warranty</b> |   |
| Warranty                    | 18 months   |

Integrated Drive

Dimensions

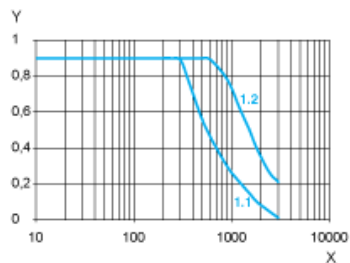


- 1 Accessories: I/O signal insert with industrial connectors
- 2 Option: industrial connectors
- 3 Earth (ground) terminal
- 4 Accessories: cable entries  $\varnothing = 3 \dots 9$  mm /  $0.12 \dots 0.35$  in.
- L 115.9 mm / 4.56 in.
- D 6.35 mm / 0.25 in.

## Connection Example with 4 I/O Signals



Torque Characteristics



X Speed of rotation in rpm

Y Torque in Nm

1.1 Max. torque at 24 V

1.2 Max. torque at 36 V