

Main

| | |
|---------------------------|--------------------------------------------|
| Range of product | Lexium integrated drive |
| Product or component type | Motion integrated drive |
| Device short name | ILS |
| Motor type | 3-phase stepper motor |
| Number of motor poles | 6 |
| Network number of phases | Single phase |
| [Us] rated supply voltage | 24 V 36 V |
| Network type | DC |
| Communication interface | RS485, integrated |
| Length | 115.9 mm |
| Winding type | Medium speed of rotation and medium torque |
| Electrical connection | Printed circuit board connector |
| Holding brake | Without |
| Gear box type | Without |
| Nominal speed | 300 rpm at 24 V 600 rpm at 36 V |
| Nominal torque | 0.9 N.m |
| Holding torque | 1.02 N.m |

Complementary

| | |
|---------------------------------------|-----------------------------------------------------------------------------------------------------------------------------|
| Transmission rate | 9.6, 19.2 and 38.4 kbauds |
| Mounting support | Flange |
| Motor flange size | 57 mm |
| Number of motor stacks | 2 |
| Centring collar diameter | 38.1 mm |
| Centring collar depth | 1.6 mm |
| Number of mounting holes | 4 |
| Mounting holes diameter | 5.2 mm |
| Circle diameter of the mounting holes | 66.6 mm |
| Feedback type | Index pulse |
| Shaft end | Untapped |
| Second shaft | Without second shaft end |
| Shaft diameter | 6.35 mm |
| Shaft length | 21 mm |
| Supply voltage limits | 18...40 V |
| Current consumption | 3500 mA maximum |
| Associated fuse rating | 10 A |
| Input/output type | 4 signals (each be used as input or output) |
| Voltage state 0 guaranteed | -3...4.5 V |
| Voltage state 1 guaranteed | 15...30 V |
| Discrete input current | 10 MA at 24 V on/STO_A for safety input 3 MA at 24 V on/STO_B for safety input 2 mA at 24 V for 24 V signal interface |
| Discrete output voltage | 23...25 V |

| | |
|---------------------------|--------------------------------------------------------------------------------------|
| Maximum switching current | 100 MA per output 200 mA total |
| Protection type | Safe torque off Overload of output voltage Short circuit of the output voltage |
| Peak stall torque | 0.9 N.m |
| Continuous stall torque | 0.9 N.m |
| Speed feedback resolution | 20000 points/turn |
| Accuracy error | +/- 6 arc min |
| Rotor inertia | 0.22 kg.cm ² |
| Maximum mechanical speed | 3000 rpm |
| Maximum radial force Fr | 24 N |
| Maximum axial force Fa | 100 N (tensile force) 8.4 N (force pressure) |
| Service life in hours | 20000 h bearing |
| Marking | CE |
| Type of cooling | Natural convection |
| Net weight | 1.6 kg |

Environment

| | |
|-------------------------------------------------------|-----------------------------------------------------------------------------------------------------------------------------------------------|
| Standards | EN/IEC 61800-3 EN/IEC 50178 EN 61800-3:2001, second environment EN 61800-3 : 2001-02 IEC 61800-3, Ed 2 EN 50347 IEC 60072-1 |
| Product certifications | cUL[RETURN]UL[RETURN]TÜV |
| Ambient air temperature for operation | 50...65 °C (with power derating of 2 % per °C) 0...50 °C (without derating) |
| Permissible ambient air temperature around the device | 105 °C power amplifier 110 °C motor |
| Ambient air temperature for storage | -25...70 °C |
| Operating altitude | <= 1000 m without derating |
| Relative humidity | 15...85 % without condensation |
| Vibration resistance | 20 m/s ² (f= 10...500 Hz) 10 cycles conforming to EN/IEC 60068-2-6 |
| Shock resistance | 150 m/s ² 1000 shocks conforming to EN/IEC 60068-2-29 |
| IP degree of protection | IP41 shaft bushing: conforming to EN/IEC 60034-5 IP54 total except shaft bushing: conforming to EN/IEC 60034-5 |

Packing Units

| | |
|------------------------------|-----------|
| Unit Type of Package 1 | PCE |
| Number of Units in Package 1 | 1 |
| Package 1 Height | 11 cm |
| Package 1 Width | 17 cm |
| Package 1 Length | 24 cm |
| Package 1 Weight | 1.935 kg |
| Unit Type of Package 2 | S04 |
| Number of Units in Package 2 | 6 |
| Package 2 Height | 30 cm |
| Package 2 Width | 40 cm |
| Package 2 Length | 60 cm |
| Package 2 Weight | 12.862 kg |
| Unit Type of Package 3 | S06 |
| Number of Units in Package 3 | 30 |
| Package 3 Height | 73.5 cm |
| Package 3 Width | 60 cm |
| Package 3 Length | 80 cm |
| Package 3 Weight | 85 kg |

Offer Sustainability

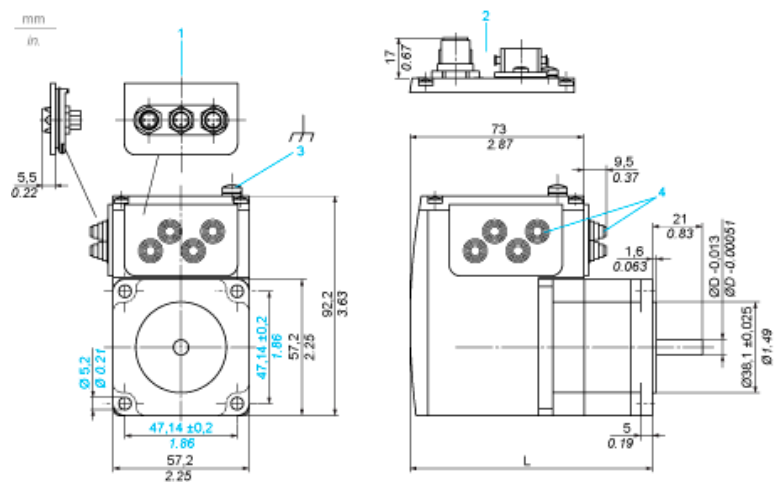
| | |
|----------------------------|-----------------------------------------------------------------------------------------------------------------------------|
| Sustainable offer status | Green Premium product |
| REACH Regulation | REACH Declaration |
| EU RoHS Directive | Pro-active compliance (Product out of EU RoHS legal scope) |
| Mercury free | Yes |
| China RoHS Regulation | China RoHS Declaration |
| RoHS exemption information | Yes |
| Environmental Disclosure | Product Environmental Profile |
| Circularity Profile | End Of Life Information |
| WEEE | The product must be disposed on European Union markets following specific waste collection and never end up in rubbish bins |
| PVC free | Yes |

Contractual warranty

| | |
|----------|-----------|
| Warranty | 18 months |
|----------|-----------|

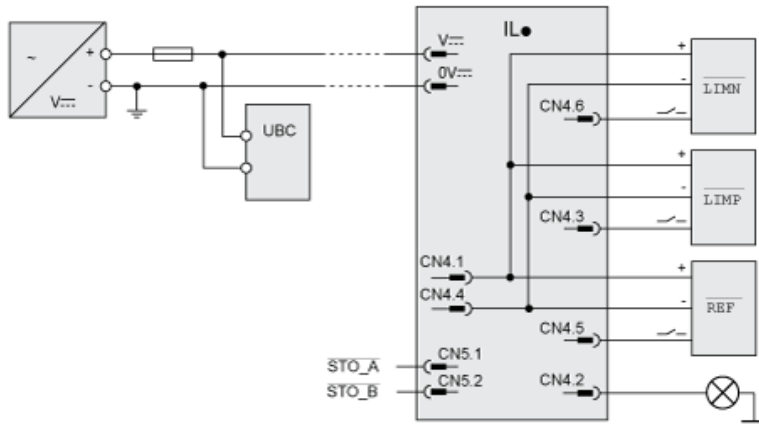
Integrated Drive

Dimensions

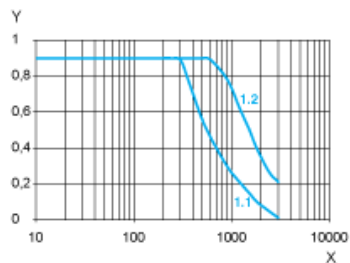


- 1 Accessories: I/O signal insert with industrial connectors
- 2 Option: industrial connectors
- 3 Earth (ground) terminal
- 4 Accessories: cable entries $\varnothing = 3 \dots 9 \text{ mm}/0.12 \dots 0.35 \text{ in.}$
- L 115.9 mm/4.56 in.
- D 6.35 mm/0.25 in.

Connection Example with 4 I/O Signals



Torque Characteristics



X Speed of rotation in rpm

Y Torque in Nm

1.1 Max. torque at 24 V

1.2 Max. torque at 36 V