



Main

| | |
|---------------------------|--|
| Range of product | Lexium integrated drive |
| Product or component type | Motion integrated drive |
| Device short name | ILS |
| Motor type | 3-phase stepper motor |
| Number of motor poles | 6 |
| Network number of phases | Single phase |
| [Us] rated supply voltage | 48 V 24 V |
| Network type | DC |
| Communication interface | Modbus TCP, integrated |
| Length | 200.6 mm |
| Winding type | High speed of rotation and medium torque |
| Electrical connection | Industrial connector |
| Holding brake | Without |
| Gear box type | Without |
| Nominal speed | 200 rpm at 24 V 400 rpm at 48 V |
| Nominal torque | 4.5 N.m |
| Holding torque | 4.5 N.m |

Complementary

| | |
|---------------------------------------|--|
| Transmission rate | 10, 100 Mbits |
| Mounting support | Flange |
| Motor flange size | 85 mm |
| Number of motor stacks | 3 |
| Centring collar diameter | 60 mm |
| Centring collar depth | 2 mm |
| Number of mounting holes | 4 |
| Mounting holes diameter | 6.5 mm |
| Circle diameter of the mounting holes | 99 mm |
| Feedback type | Index pulse |
| Shaft end | Untapped |
| Second shaft | Without second shaft end |
| Shaft diameter | 14 mm |
| Shaft length | 30 mm |
| Supply voltage limits | 18...55 V |
| Current consumption | 6000 mA maximum continuous |
| Associated fuse rating | 16 A |
| Commissioning interface | RS485 Modbus TCP (9.6, 19.2 and 38.4 kbauds) |
| Input/output type | 4 signals (each be used as input or output) |
| Voltage state 0 guaranteed | -3...4.5 V |
| Voltage state 1 guaranteed | 15...30 V |
| Discrete input current | 10 MA at 24 V for safety input 2 mA at 24 V for 24 V signal interface |

The information provided in this documentation contains general descriptions and/or technical characteristics of the performance of the products contained herein. This documentation is not intended as a substitute for and is not to be used for determining suitability or reliability of these products for specific user applications. It is the duty of any such user or integrator to perform the appropriate and complete risk analysis, evaluation and testing of the products with respect to the relevant specific application or use thereof. Neither Schneider Electric Industries SAS nor any of its affiliates or subsidiaries shall be responsible or liable for misuse of the information contained herein.

| | |
|---------------------------|--|
| Discrete output voltage | 23...25 V |
| Maximum switching current | 100 MA per output 200 mA total |
| Protection type | Safe torque off Short circuit of the output voltage Overload of output voltage |
| Peak stall torque | 4.5 N.m |
| Continuous stall torque | 4.5 N.m |
| Speed feedback resolution | 20000 points/turn |
| Accuracy error | +/- 6 arc min |
| Rotor inertia | 3.3 kg.cm ² |
| Maximum mechanical speed | 3000 rpm |
| Maximum radial force Fr | 110 N |
| Maximum axial force Fa | 170 N (tensile force) 30 N (force pressure) |
| Service life in hours | 20000 h bearing |
| Marking | CE |
| Type of cooling | Natural convection |
| Net weight | 4.7 kg |

Environment

| | |
|---|--|
| Standards | EN 61800-3 : 2001-02 IEC 50178 IEC 61800-3 IEC 60072-1 EN 61800-3:2001, second environment IEC 50347 IEC 61800-3, Ed 2 |
| Product certifications | UL[RETURN]cUL[RETURN]TÜV |
| Ambient air temperature for operation | 40...55 °C (with power derating of 2 % per °C) 0...40 °C (without derating) |
| Permissible ambient air temperature around the device | 105 °C power amplifier 110 °C motor |
| Ambient air temperature for storage | -25...70 °C |
| Operating altitude | <= 1000 m without derating |
| Relative humidity | 15...85 % without condensation |
| Vibration resistance | 20 m/s ² (f= 10...500 Hz) 10 cycles conforming to IEC 60068-2-6 |
| Shock resistance | 150 m/s ² 1000 shocks conforming to IEC 60068-2-29 |
| IP degree of protection | IP41 shaft bushing: conforming to IEC 60034-5 IP54 total except shaft bushing: conforming to IEC 60034-5 |

Packing Units

| | |
|------------------------------|---------|
| Unit Type of Package 1 | PCE |
| Number of Units in Package 1 | 1 |
| Package 1 Height | 10.4 cm |
| Package 1 Width | 18.0 cm |
| Package 1 Length | 36.5 cm |
| Package 1 Weight | 5.2 kg |

Offer Sustainability

| | |
|----------------------------|---|
| Sustainable offer status | Green Premium product |
| REACH Regulation |  REACH Declaration |
| EU RoHS Directive | Pro-active compliance (Product out of EU RoHS legal scope) |
| Mercury free | Yes |
| China RoHS Regulation |  China RoHS Declaration |
| RoHS exemption information |  Yes |
| Environmental Disclosure |  Product Environmental Profile |

Circularity Profile

 [End Of Life Information](#)

WEEE

The product must be disposed on European Union markets following specific waste collection and never end up in rubbish bins

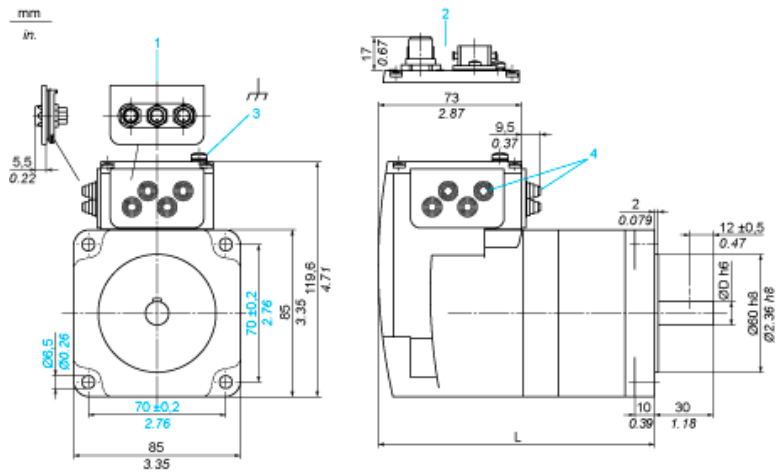
Contractual warranty

Warranty

18 months

Integrated Drive without Holding Brake

Dimensions

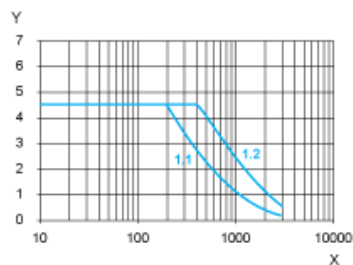


- 1 Accessories: I/O signal insert with industrial connectors
- 2 Option: industrial connectors
- 3 Earth (ground) terminal
- 4 Accessories: cable entries $\varnothing = 3 \dots 9 \text{ mm} / 0.12 \dots 0.35 \text{ in.}$
- L 200.6 mm / 7.90 in.
- D 14 mm / 0.55 in.

Connection Example with 4 I/O Signals



Torque Characteristics



X Speed of rotation in rpm

Y Torque in Nm

1.1 Max. torque at 24 V

1.2 Max. torque at 48 V