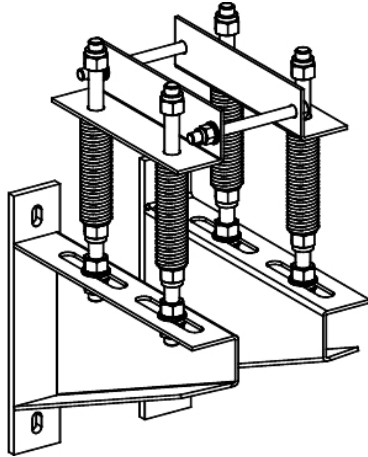


KRA2000ZA55

Vertical wall spring support, Canalis KRA, vertical busbar trunking (aluminium), 2000A, 5 conductors busbar



Main

Range	Canalis
Product name	KR
Product or component type	Spring support
Device short name	KRA

Complementary

Accessory / separate part category	Support accessory
Fixing device mounting	Wall mounting
Mounting position	Vertical
[Ie] rated operational current	2000 A with aluminium
Busbar trunking polarity	3L + N + PE
Standards	IEC 61439-6 IEC 61439-2

Packing Units

Unit Type of Package 1	PCE
Number of Units in Package 1	1
Package 1 Height	51.8 cm
Package 1 Width	25.0 cm
Package 1 Length	35.0 cm
Package 1 Weight	14.93 kg

Offer Sustainability

Sustainable offer status	Green Premium product
RECh Regulation	RECh Declaration
RECh free of SVHC	Yes
EU RoHS Directive	Compliant EU RoHS Declaration
Toxic heavy metal free	Yes
Mercury free	Yes
China RoHS Regulation	China RoHS Declaration
RoHS exemption information	Yes
Environmental Disclosure	Product Environmental Profile
Circularity Profile	End Of Life Information
WEEE	The product must be disposed on European Union markets following specific waste collection and never end up in rubbish bins
Halogen content performance	Halogen free product