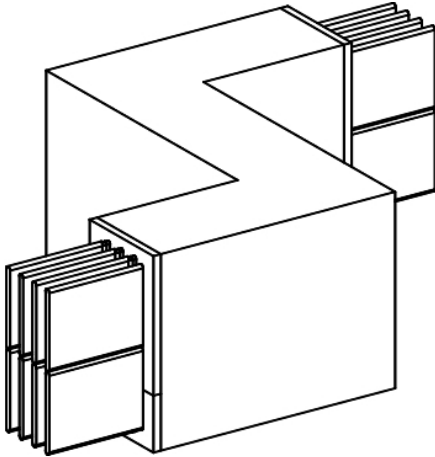


KRA2000ZP4

Flat zed unit, Canalis KRA, aluminium, 2000A, 3L+N/3L+PE/3L+PEN, made to measure, grey RAL7030



Main

Range	Canalis
Product name	KR
Product or component type	Zed elbow
Device short name	KRA
Product specific application	Healthcare Enterprise data centres Water and waste water Oil and gas Real estate and office buildings Mining minerals and metals
Device application	Change direction
Material	Aluminium
[Ie] rated operational current	2000 A at 35 °C
Polarity	3L + N or 3L + PE or 3L + PEN
Earth conductor	Standard earth
Short-circuit level	Standard version

Complementary

Housing material	Mineral epoxy resin
Contacts material	Tinned aluminium
[Ue] rated operational voltage	1000 V
Network frequency	50/60 Hz
[Ui] rated insulation voltage	1000 V
[Icw] rated short-time withstand current	65 kA
[Ipk] rated peak withstand current	143 kA
Radiated magnetic field	22.1 mT
Thermal stress limit	4225000 kA ² .s
Maximum voltage drop	<0.005 V with power factor = 1 at 50 Hz with 1A for 100 m long <0.0069 V with power factor = 0.9 at 50 Hz with 1A for 100 m long <0.0072 V with power factor = 0.8 at 50 Hz with 1A for 100 m long <0.0074 V with power factor = 0.7 at 50 Hz with 1A for 100 m long
Linear resistance	L: R20 20 °C= 0.024 mΩ/m L: R1 35 °C= 0.029 mΩ/m at Inc and 50 Hz L: X1 35 °C= 0.031 mΩ/m at Inc and 50 Hz L: Z1 35 °C= 0.043 mΩ/m at Inc and 50 Hz L - PE: R0 20 °C= 0.08 mΩ/m symmetrical components method L - PE: X0 20 °C= 0.212 mΩ/m symmetrical components method L - PE: Z0 20 °C= 0.227 mΩ/m symmetrical components method L-N: R0 20 °C= 0.06 mΩ/m symmetrical components method L-N: X0 20 °C= 0.116 mΩ/m symmetrical components method L-N: Z0 20 °C= 0.131 mΩ/m symmetrical components method
Mounting location	Outdoor Indoor
Product certifications	ATEX[RETURN]CE[RETURN]EAC
Standards	IEC 61439-6
Width	100 mm
Height	230 mm
Colour	Grey (RAL 7030)

The information provided in this documentation contains general descriptions and/or technical characteristics of the performance of the products contained herein. This documentation is not intended as a substitute for and is not to be used for determining suitability or reliability of these products for specific user applications. It is the duty of any such user or integrator to perform the appropriate and complete risk analysis, evaluation and testing of the products with respect to the relevant specific application or use thereof. Neither Schneider Electric Industries SAS nor any of its affiliates or subsidiaries shall be responsible or liable for misuse of the information contained herein.

Length	Direction 1: 300...700 mm Direction 2: 1...700 mm Direction 3: 300...700 mm
Linear load	58 kg/m

Environment

IP degree of protection	IP68 conforming to IEC 60529
IK degree of protection	IK10 conforming to IEC 62262
Pollution degree	3
Fire resistance	760 °C 180 min conforming to IEC 60331-1
Derating factor	0...35 °C (100 % of In) 35...40 °C (96 % of In) 40...45 °C (89 % of In) 45...50 °C (84 % of In) 50...55 °C (78 % of In)
Operating altitude	1000 m 100 % of In (indoor) 2000 m 99 % of In (indoor) 3000 m 96 % of In (indoor) 4000 m 90 % of In (indoor) 1000 m 98 % of In (outdoor) 2000 m 94 % of In (outdoor) 3000 m 89 % of In (outdoor) 4000 m 83 % of In (outdoor)
Environmental characteristic	EMC directive conforming to IEC 61439-6

Packing Units

Unit Type of Package 1	PCE
Number of Units in Package 1	1
Package 1 Height	39.0 cm
Package 1 Width	40.0 cm
Package 1 Length	40.0 cm
Package 1 Weight	73.08 kg

Offer Sustainability

Sustainable offer status	Green Premium product
REACH Regulation	REACH Declaration
REACH free of SVHC	Yes
EU RoHS Directive	Compliant EU RoHS Declaration
Toxic heavy metal free	Yes
Mercury free	Yes
China RoHS Regulation	China RoHS Declaration
RoHS exemption information	Yes
Environmental Disclosure	Product Environmental Profile
Circularity Profile	End Of Life Information
WEEE	The product must be disposed on European Union markets following specific waste collection and never end up in rubbish bins
Halogen content performance	Halogen free product