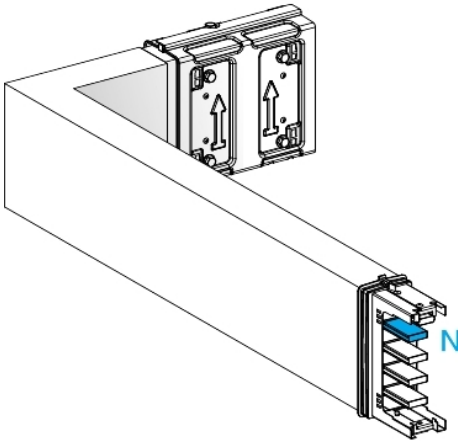


# KSA400DLL41A

Elbow, Canalis KSA400, aluminium, 400A, side B made to measure, turns left, 3L+N+PE, white RAL9001



## Main

|                                |   |
|--------------------------------|---|
| Range of product               | Canalis                                       |
| Product name                   | KS  |
| Device short name              | KSA   |
| Offer type                     | Advanced                                      |
| Product or component type      | Elbow   |
| Busbar description             | Standard on made to measure (only one side)   |
| Product compatibility          | Canalis KSA busbar trunking 400 A             |
| Device application             | Change direction                              |
| Conductors material            | Aluminium                                     |
| Busbar trunking polarity       | 3L + N + PE                                   |
| [Ie] rated operational current | 400 A at 35 °C                                |
| IP degree of protection        | IP55 conforming to IEC 60529                  |
| [Ue] rated operational voltage | 230...690 V                                   |
| Network frequency              | 50/60 Hz                                      |
| Operating angle                | 90 °  |
| Direction change type          | Direction 1: edgewise to left - neutral to up |
| Colour                         | White (RAL 9001)                              |
| Dimension type                 | Made to measure                               |

## Complementary

|                       |  |
|-----------------------|--|
| Length                | 200 Mm for side A<br>200...750 mm for side B |
| Width                 | 54 mm  |
| Height                | 146 mm                                       |
| Mounting location     | On trunking                                  |
| Mounting position     | Any position                                 |
| Electrical connection | Lubricated sliding contact                   |
| Mounting mode         | By screws                                    |
| Standards             | IEC 61439-1<br>IEC 61439-6                   |

## Environment

|                         |                              |
|-------------------------|------------------------------|
| IK degree of protection | IK08 conforming to IEC 62262 |
|-------------------------|------------------------------|

## Packing Units

|                              |         |
|------------------------------|---------|
| Unit Type of Package 1       | PCE     |
| Number of Units in Package 1 | 1       |
| Package 1 Height             | 16.5 cm |
| Package 1 Width              | 72.6 cm |
| Package 1 Length             | 72.6 cm |
| Package 1 Weight             | 20.0 kg |

## Offer Sustainability

|                            |   |
|----------------------------|---|
| Sustainable offer status   | Green Premium product   |
| REACH Regulation           | <a href="#">REACH Declaration</a>   |
| REACH free of SVHC         | Yes   |
| EU RoHS Directive          | Compliant <a href="#">EU RoHS Declaration</a>   |
| Mercury free               | Yes   |
| China RoHS Regulation      | <a href="#">China RoHS Declaration</a>  |
| RoHS exemption information | <a href="#">Yes</a>   |
| Environmental Disclosure   | <a href="#">Product Environmental Profile</a>   |
| Circularity Profile        | No need of specific recycling operations  |
| WEEE                       | The product must be disposed on European Union markets following specific waste collection and never end up in rubbish bins |