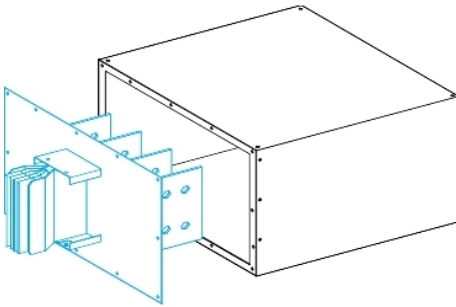


# Product data sheet

## Characteristics

# KTB0350BC01

Cable box, Canalis KTA 1600A/2500A, Canalis KTC 2000A/3200A, for straight feed unit, height 350mm



### Main

Range	Canalis
Product name	KT
Product or component type	Cable box
Device short name	KTB
Accessory / separate part category	Protection accessory

### Complementary

Width	545 mm
Depth	500 mm
Height	350 mm
Net weight	17 kg

### Packing Units

Unit Type of Package 1	PCE
Number of Units in Package 1	1
Package 1 Height	35.2 cm
Package 1 Width	63.0 cm
Package 1 Length	52.0 cm
Package 1 Weight	1.1 kg

### Offer Sustainability

Sustainable offer status	Green Premium product
REACH Regulation	<a href="#">REACH Declaration</a>
REACH free of SVHC	Yes
EU RoHS Directive	Compliant <a href="#">EU RoHS Declaration</a>
Toxic heavy metal free	Yes
Mercury free	Yes
China RoHS Regulation	<a href="#">China RoHS Declaration</a>
RoHS exemption information	<a href="#">Yes</a>
Environmental Disclosure	<a href="#">Product Environmental Profile</a>
Circularity Profile	<a href="#">End Of Life Information</a>
WEEE	The product must be disposed on European Union markets following specific waste collection and never end up in rubbish bins

The information provided in this documentation contains general descriptions and/or technical characteristics of the products of the performance of the products contained herein. This documentation is not intended as a substitute for and is not to be used for determining suitability or reliability of these products for specific user applications. It is the duty of any such user or integrator to perform the appropriate and complete risk analysis, evaluation and testing of the products with respect to the relevant specific application or use thereof. Neither Schneider Electric Industries SAS nor any of its affiliates or subsidiaries shall be responsible or liable for misuse of the information contained herein.