

PFXFP6500WCD

10w Industrial FPM, FP6000, WXGA, 16M colors, PCAP Multi Touch (2 points) with optimized noise filter, DVI, USB Type B, 24V DC



Main

Range of product	FP6000
Product or component type	Touch panel screen
Terminal type	Touchscreen display
Integrated connection type	DVI-D video port USB 2.0 connector USB type B

Complementary

Device mounting	Panel mounting Direct mounting VESA
Pixel resolution	1280 x 800
Operating system	Windows 10 IoT Enterprise (2019 LTSC) Windows 10 (version 1809)
Function available	Standard mode Glove mode Water detection mode
[Us] rated supply voltage	24 V DC power supply
Supply voltage limits	18...31.2 V DC
Power consumption in W	12.4 W (maximum)
Display size	10.1 inch
Aspect ratio	16:9
Display type	LED not replaceable Colour TFT LCD
Display resolution	1280 x 800 pixels WXGA
Display colour	16 million colours
Backlight lifespan	50000 hours at 25 °C
Touch panel	Multi-touch projected capacitive technology (PCT) with optimized noise filter
Type of installation	Indoor installation
Type of cooling	Natural
Inrush current	30 A
Environmental characteristic	Dust resistant 0.1 mg/m3 (non-conductive) Corrosive gas free
Cut-out dimensions	255 (+ 1/- 0) x 185 (+ 1/- 0) mm
Width	268.5 mm
Height	198.5 mm
Depth	Enclosure : 67.5 mm
Net weight	3.2 kg

The information provided in this documentation contains general descriptions and/or technical characteristics of the products of the performance of the products contained herein. This documentation is not intended as a substitute for and is not to be used for determining suitability or reliability of these products for specific user applications. It is the duty of any such user or integrator to perform the appropriate and complete risk analysis, evaluation and testing of the products with respect to the relevant specific application or use thereof. Neither Schneider Electric Industries SAS nor any of its affiliates or subsidiaries shall be responsible or liable for misuse of the information contained herein.

Environment

Standards	CE FCC part 15 UL 61010-2-201 CSA C22.2 No 61010-2-201
Product certifications	RCM[RETURN]KC[RETURN]UKCA[RETURN]DNV (except 22" wide display)[RETURN]EAC[RETURN]ATEX zone 2[RETURN]ATEX zone 22 dust[RETURN]CULus Class 1 Division 2[RETURN]IECEX zone 2 (DC model, front USB cover must be locked with screw)[RETURN]IECEX zone 22 (DC model, front USB cover must be locked with screw)
Ambient air temperature for operation	0...55 °C
Ambient air temperature for storage	-20...60 °C
Pollution degree	2
Relative humidity	10...90 % without condensation
Storage Relative Humidity	10...90 % without condensation
Operating altitude	2000 m
Vibration resistance	1 gn (f = 5...9 Hz) single amplitude conforming to IEC 61131-2 1 gn (f = 9...150 Hz) fixed amplitude conforming to IEC 61131-2 1 gn X, Y, Z directions for 10 cycles (approx. 100 min) conforming to IEC 61131-2
Shock resistance	147 m/s ² conforming to IEC 61131-2 147 m/s ² 3 shocks in each direction X, Y and Z
Electromagnetic compatibility	Electrostatic discharge immunity test - test level: 6 kV (contact discharge) conforming to IEC 61000-4-2 level 3 Electrostatic discharge immunity test - test level: 8 kV (air discharge) conforming to IEC 61000-4-2 level 3 Electrical fast transient/burst immunity test - test level: 2 kV (power ports) conforming to IEC 61000-4-4 Electrical fast transient/burst immunity test - test level: 1 kV (signal ports) conforming to IEC 61000-4-4

Packing Units

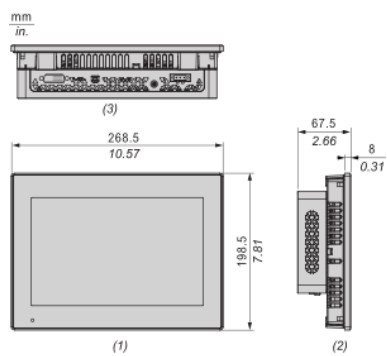
Unit Type of Package 1	PCE
Number of Units in Package 1	1
Package 1 Height	35.0 cm
Package 1 Width	15.0 cm
Package 1 Length	37.0 cm
Package 1 Weight	3.8 kg

Offer Sustainability

Sustainable offer status	Green Premium product
REACH Regulation	REACH Declaration
EU RoHS Directive	Pro-active compliance (Product out of EU RoHS legal scope)
Mercury free	Yes
China RoHS Regulation	China RoHS Declaration
RoHS exemption information	Yes
Environmental Disclosure	Product Environmental Profile
Circularity Profile	End Of Life Information

Dimensions

External Dimensions



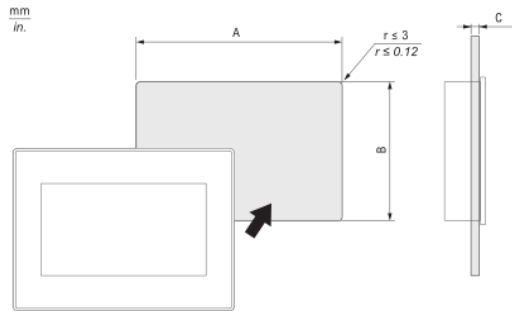
(1): Front

(2): Left

(3): Bottom

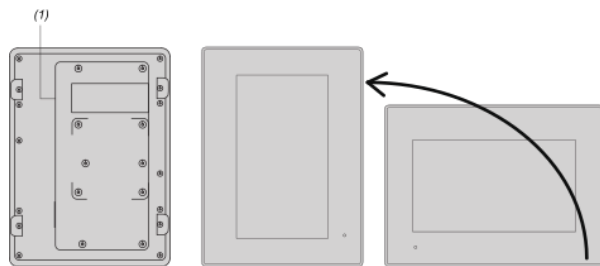
Mounting

Panel Cut Dimension



A		B		C	
mm	in.	mm	in.	mm	in.
255 (+1, -0)	10.04 (+0.04, -0)	185 (+1, -0)	7.28 (+0.04, -0)	1.6...5	0.06...0.2

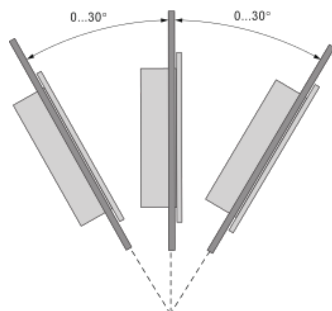
Mounting Orientation



(1): Power connector

Note: For portrait orientation mounting, make sure the screen editing software supports the function.

Mounting Angle



Clearance

