



## Main

Range of product	Pro-face ST6000
Product or component type	Touch panel screen

## Complementary

Display size	10.4 inch
Display type	Colour TFT LCD
Display colour	16 million colours
Display resolution	800 x 600 pixels SVGA
Touch panel	Single touch analogue resistive
Backlight lifespan	50000 hours with white
Brightness	16 levels via touch panel
[Us] rated supply voltage	24 V DC
Inrush current	30 A
Input voltage limits	19.2...28.8 V DC
Allowable voltage drop time	10 ms
Voltage endurance	1000 V AC during 1 min
Maximum power consumption in W	10.6 W 7.5 W when power is not supplied to external devices 4.6 W when backlight is OFF
Memory description	User data memory 64 MB Backup memory 320 kB
Integrated connection type	COM1 serial link 1 SUB-D 9-pin male, interface: RS232C, transmission rate: 2400...115200 bps COM2 serial link 1 SUB-D 9-pin male, interface: RS422/RS485, transmission rate: 187.5 kbps compatible with Siemens MPI USB 2.0 type A USB 2.0 type micro B Ethernet female RJ45 10BASE-T/100BASE-TX
Data format	8 bits, no parity, 1 or 2 stop even or odd
Electrical connection	Cable 2 mm <sup>2</sup> , AWG 14, max resistance 100 Ohm for functional grounding
Type of cooling	AN (air natural)
Fixing mode	By 6 screws, mounting on 1.6...5 mm thick panel conforming to UL 61010-2-201 By 6 screws conforming to EN 61131-2 By 6 screws conforming to IEC 61000-6-2
Enclosure material	PC
Front material	Aluminium
Cut-out dimensions	301.5 (+ 1/- 0) x 227.5 (+ 1/- 0) mm
Height	315 mm
Width	241 mm

Depth	56 mm
Net weight	1.8 kg

## Environment

Standards	EN 61000-6-4 EN 61000-6-2 EN 61131-2 UL 61010-2-201 CSA C22.2 No 61010-2-201 KS C 9610-6-4 KS C 9610-6-2
Product certifications	CE[RETURN]EAC[RETURN]UL/cUL listed[RETURN]KC[RETURN]RCM[RETURN]UKCA
Directives	2014/30/EU - electromagnetic compatibility
Ambient air temperature for operation	0...50 °C
Ambient air temperature for storage	-20...60 °C
Relative humidity	10...90 % non-condensing
Storage Relative Humidity	10...90 % non-condensing
Operating altitude	2000 m
IP degree of protection	IP20 (rear panel) conforming to IEC 61131-2 IP65f (front panel) conforming to IEC 61131-2
NEMA degree of protection	NEMA 4X front panel (indoor use) NEMA Type 1 NEMA 13 front panel (in enclosure)
Pollution degree	2
Environmental characteristic	Corrosive gas free
Shock resistance	147 m/s <sup>2</sup> for 11 ms (X, Y, Z directions for 3 times) conforming to EN/IEC 61131-2
Vibration resistance	+/- 3.5 mm (f = 5...9 Hz) X, Y, Z directions for 10 cycles (approx. 100 min) conforming to EN/IEC 61131-2 9.8 m/s <sup>2</sup> (f = 9...150 Hz)
Insulation resistance	>= 10 MOhm
Electromagnetic compatibility	Electrical fast transient/burst immunity test - test level: 2 kV (power ports) conforming to IEC 61000-4-4 Electrical fast transient/burst immunity test - test level: 1 kV (signal ports) conforming to IEC 61000-4-4 Electrostatic discharge immunity test - test level: 6 kV level 3 (contact discharge) conforming to EN/IEC 61000-4-2 Electrostatic discharge immunity test - test level: 8 kV level 3 (air discharge) conforming to EN/IEC 61000-4-2

## Packing Units

Unit Type of Package 1	PCE
Number of Units in Package 1	1
Package 1 Height	11.000 cm
Package 1 Width	31.500 cm
Package 1 Length	39.500 cm
Package 1 Weight	2.538 kg
Unit Type of Package 2	P06
Number of Units in Package 2	10
Package 2 Height	75.000 cm
Package 2 Width	60.000 cm
Package 2 Length	80.000 cm
Package 2 Weight	35.385 kg

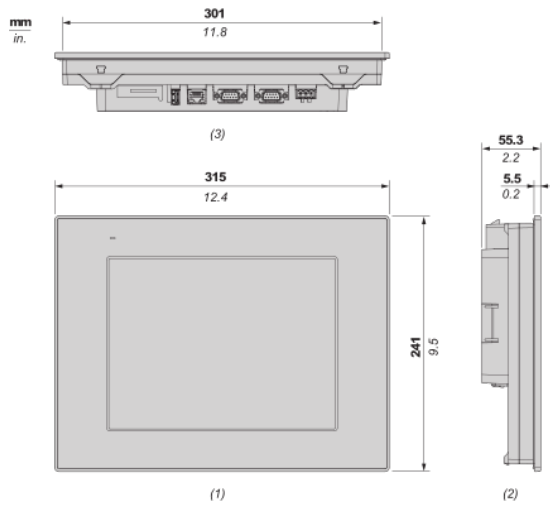
## Offer Sustainability

Sustainable offer status	Green Premium product
REACH Regulation	 <a href="#">REACH Declaration</a>
EU RoHS Directive	Compliant with Exemptions
Mercury free	Yes
China RoHS Regulation	 <a href="#">China RoHS Declaration</a>

RoHS exemption information	<a href="#">Yes</a>
Environmental Disclosure	<a href="#">Product Environmental Profile</a>
Circularity Profile	<a href="#">End Of Life Information</a>
WEEE	The product must be disposed on European Union markets following specific waste collection and never end up in rubbish bins

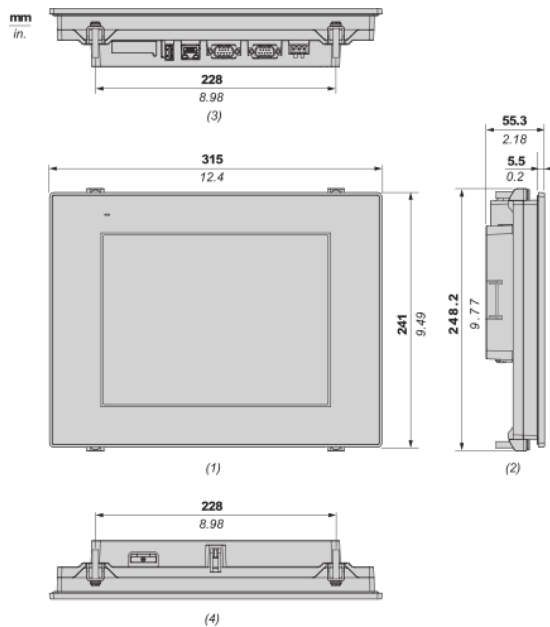
Dimensions

External Dimensions



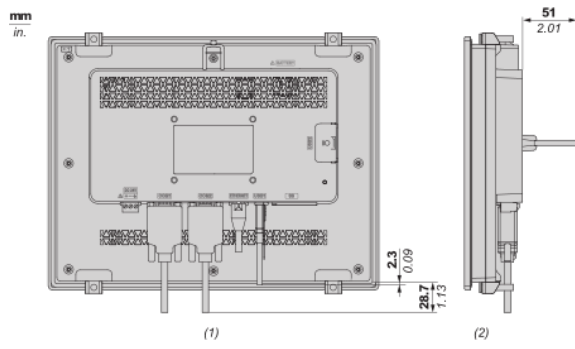
- (1) : Front
- (2) : Left
- (3) : Bottom

Dimensions with Installation Fasteners



- (1) : Front
- (2) : Left
- (3) : Bottom
- (4) : Top

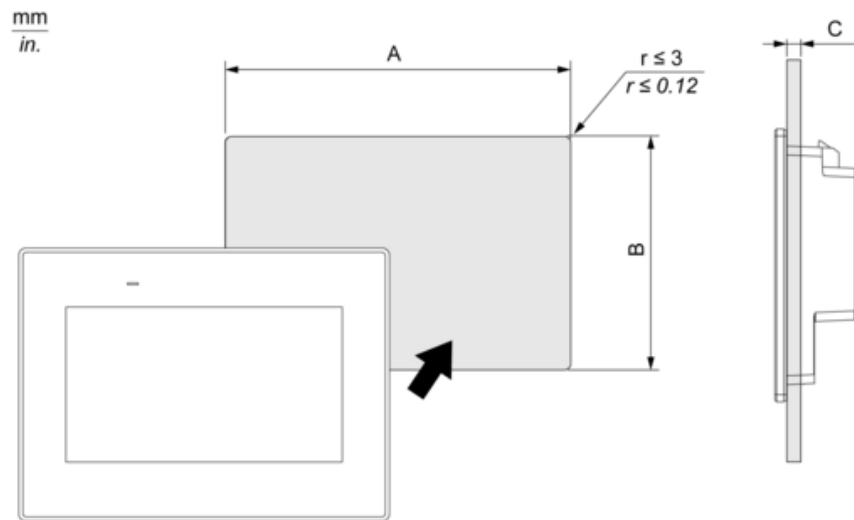
## Dimensions with Cables



- (1) : Rear
- (2) : Right

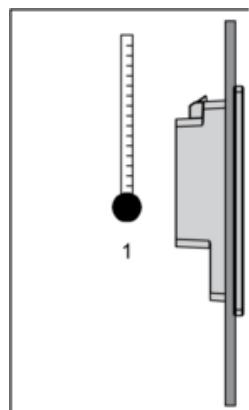
Mounting

Panel Cut Dimensions

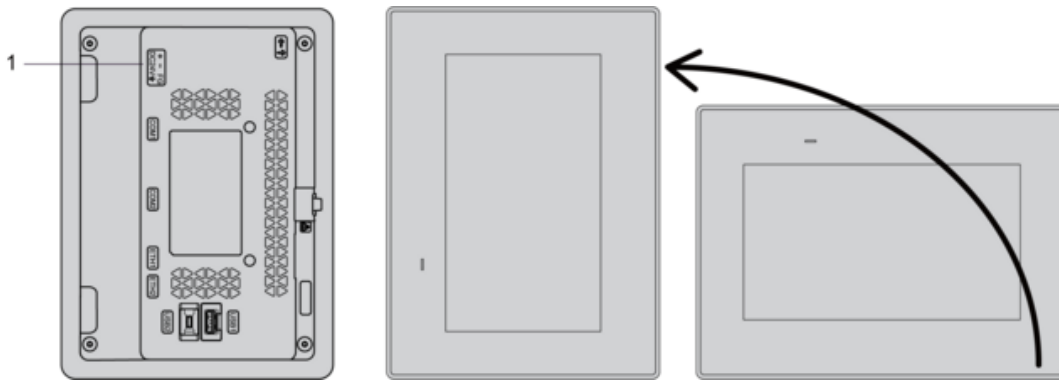


A		B		C	
mm	in.	mm	in.	mm	in.
301.5 (+1, -0)	11.87 (+0.04, -0)	227.5 (+1, -0)	8.96 (+0.04, -0)	1.6..5	0.06..0.2

Installation Requirements

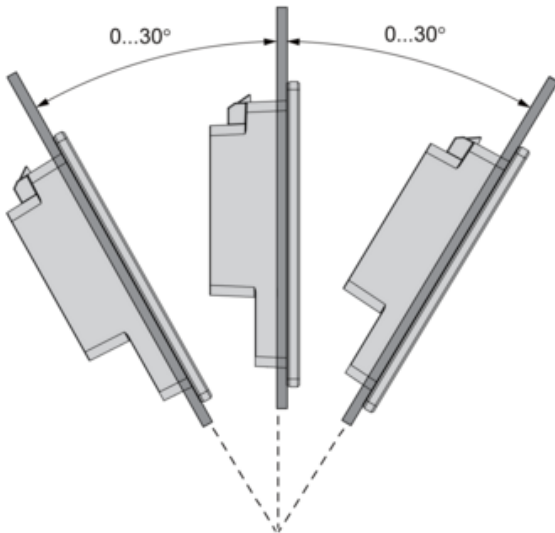


- 1 : Internal temperature
- 2 : External temperature



1 : Power connector

### Mounting Angle



### Clearance

