



Main

Range of product	Lexium SD2
Product or component type	Motion stepper drive
Device short name	SD215
Communication interface	Pulse/direction

Complementary

Network number of phases	Single phase
[Us] rated supply voltage	24...48 V
Supply voltage type	DC
Supply voltage limits	12...48 V
Maximum motor phase current	5 A
Current consumption	<= 4 mA
Input current	10 mA - high level for SPI interfaces -10 µA - low level for SPI interfaces
Output current	14.6 mA for step clock 8 mA - high level for SPI interfaces -7 mA - low level for SPI interfaces
Output voltage	2.1 V high level (SPI interfaces) 0.5 V low level (SPI interfaces) 5...24 V high level (isolated inputs: step clock, direction, enable) 8.7 V low level (isolated inputs: step clock, direction, enable)
Input voltage	2 V - high level for SPI interfaces signal inputs 1.2 V - low level for SPI interfaces signal inputs
Residual ripple	2 V at nominal voltage
Electrical connection	1 connector wire crimp 4 pins for motor interface 1 connector wire crimp 12 pins for multifunction and communication interface 1 connector wire crimp 2 pins for supply voltage 1 connector
Type of cooling	Convection
Width	76 mm
Height	54 mm
Depth	99 mm
Marking	CE
Net weight	0.34 kg

The information provided in this documentation contains general descriptions and/or technical characteristics of the products contained herein. This documentation is not intended as a substitute for and is not to be used for determining suitability or reliability of these products for specific user applications. It is the duty of any such user or integrator to perform the appropriate and complete risk analysis, evaluation and testing of the products with respect to the relevant specific application or use thereof. Neither Schneider Electric Industries SAS nor any of its affiliates or subsidiaries shall be responsible or liable for misuse of the information contained herein.

Environment

Electromagnetic compatibility	Electrostatic discharge conforming to IEC 61000-4-2 Immunity to radiated radio-electrical interference conforming to IEC 61000-4-3 Immunity to electrical transients conforming to IEC 61000-4-4 Voltage/Current impulse conforming to IEC 61000-4-5 Immunity to voltage dips conforming to IEC 61000-4-11 Immunity to conducted RF disturbances conforming to IEC 61000-4-6
Standards	EN 55011 group 1 class A EN 61000-3-3 IEC 61000-3-2
Ambient air temperature for operation	0...50 °C without derating with flange motor mounted on a steel plate 300 x 300 x 10 mm 50...65 °C with power derating of 2.2 % per °C with flange motor mounted on a steel plate 300 x 300 x 10 mm
Ambient air temperature for storage	-25...70 °C
Relative humidity	15...85 % without condensation
Operating altitude	<= 1000 m without derating
IP degree of protection	IP20

Packing Units

Unit Type of Package 1	PCE
Number of Units in Package 1	1
Package 1 Height	9 cm
Package 1 Width	13.4 cm
Package 1 Length	19.7 cm
Package 1 Weight	478 g

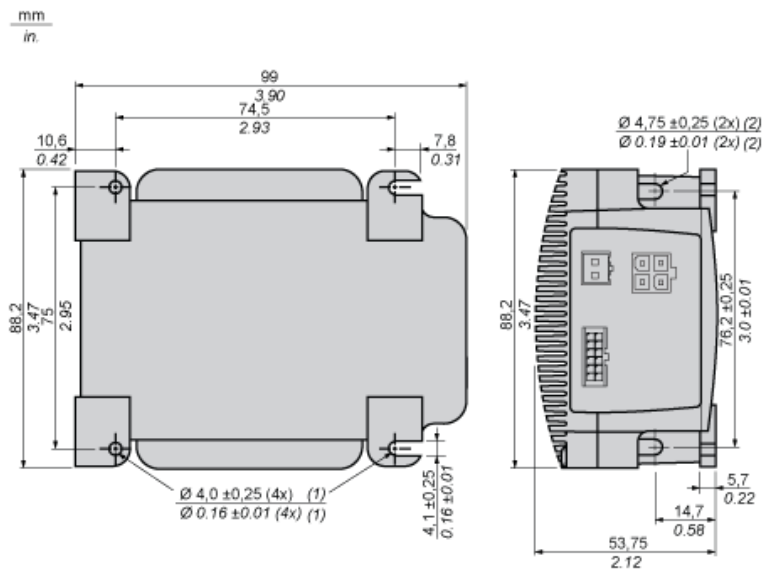
Offer Sustainability

REACH Regulation	REACH Declaration
EU RoHS Directive	Pro-active compliance (Product out of EU RoHS legal scope)
Mercury free	Yes
China RoHS Regulation	China RoHS Declaration
RoHS exemption information	Yes
PVC free	Yes

Contractual warranty

Warranty	18 months
----------	-----------

Dimensions



- (1) M3.5 screws for flat mount.
- (2) M4 screws for end mount.