



Main

Range of product	Lexium SD3
Product or component type	Motion stepper drive
Device short name	SD315
Supply voltage limits	19...60 V

Complementary

Format of the drive	Block
Network number of phases	Single phase
[Us] rated supply voltage	24...48 V - 15...10 %
Supply voltage type	DC
Communication interface	Pulse/direction, integrated
Maximum motor phase current	10 A
Current consumption	<= 7.5 mA
Power losses	<= 7 W
Associated fuse rating	10 A
Overvoltage category	III
Maximum leakage current	30 mA
Voltage state 0 guaranteed	<= 5 V for 24 V optocoupler input signals <= 0.4 V for 5 V optocoupler input signals
Voltage state 1 guaranteed	15...30 V for 24 V optocoupler input signals 2.5...5.25 V for 5 V optocoupler input signals
Input current	25 mA for 5 V optocoupler input signals 7 mA for 24 V optocoupler input signals
Maximum input frequency	200 KHz for 24 V optocoupler input signals 200 kHz for 5 V optocoupler input signals
Maximum switching voltage	30 V DC (readiness signal output)
Maximum switching current	200 mA (readiness signal output)
Maximum voltage drop	<1 V 50 mA load for readiness signal output
Physical interface	RS422 - pulse/direction interface without oscillator
Residual ripple	< 5 % (24 V control voltage)
Local signalling	1 LED - ERR 1 LED - RUN
Type of cooling	Natural convection
Height	117 mm
Width	74.5 mm
Depth	23.5 mm
Shock resistance	15 gn for 11 ms conforming to IEC 60068-2-27
Net weight	0.25 kg

The information provided in this documentation contains general descriptions and/or technical characteristics of the performance of the products contained herein. This documentation is not intended as a substitute for and is not to be used for determining suitability or reliability of these products for specific user applications. It is the duty of any such user or integrator to perform the appropriate and complete risk analysis, evaluation and testing of the products with respect to the relevant specific application or use thereof. Neither Schneider Electric Industries SAS nor any of its affiliates or subsidiaries shall be responsible or liable for misuse of the information contained herein.

Environment

Electromagnetic compatibility	Electrostatic discharge level 3 conforming to IEC 61000-4-2 Immunity to electrical transients level 4 conforming to IEC 61000-4-4 Immunity to radiated radio-electrical interference level 3 conforming to IEC 61000-4-3 Voltage/current impulse level 3 conforming to IEC 61000-4-5
Standards	IEC 61800-3 environment 1 IEC 50178 IEC 61800-5-1 EN/IEC 61800-3 environment 2 IEC 61800-3
Product certifications	cUL[RETURN]UL
Marking	CE
Ambient air temperature for operation	0...50 °C
Ambient air temperature for storage	-25...70 °C
Pollution degree	Level 2
Relative humidity	5...85 % without condensation
Operating altitude	<= 1000 m without derating > 1000...< 2000 m without derating (maximum ambient temperature 40°C, lateral distance of > 20 mm)
Vibration resistance	1 gn (f= 13...150 Hz) conforming to IEC 60068-2-6 1.5 mm (f= 3...13 Hz) conforming to IEC 60068-2-6
IP degree of protection	IP20

Packing Units

Unit Type of Package 1	PCE
Number of Units in Package 1	1
Package 1 Height	6.8 cm
Package 1 Width	12.8 cm
Package 1 Length	18.8 cm
Package 1 Weight	324.0 g
Unit Type of Package 2	S04
Number of Units in Package 2	36
Package 2 Height	30.0 cm
Package 2 Width	40.0 cm
Package 2 Length	60.0 cm
Package 2 Weight	12.5 kg

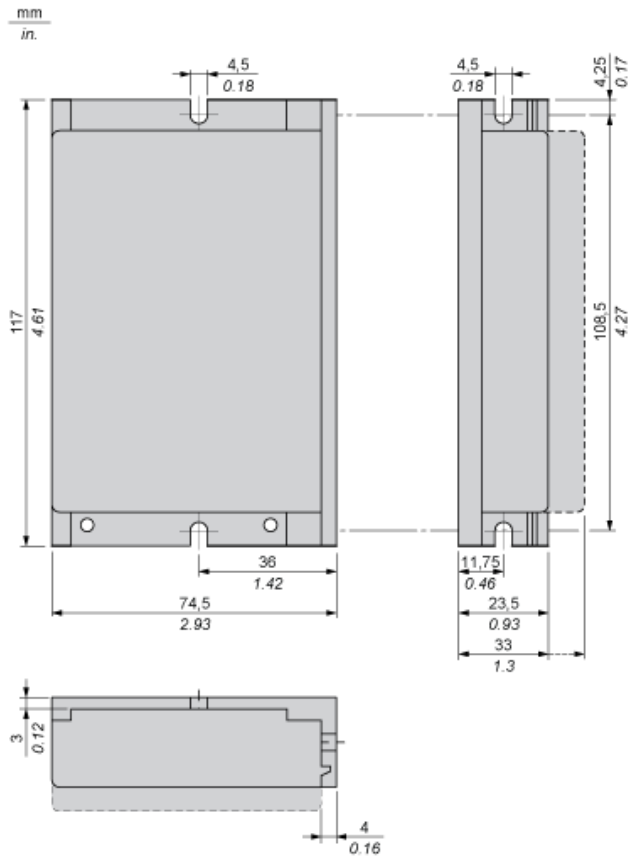
Offer Sustainability

Sustainable offer status	Green Premium product
REACH Regulation	REACH Declaration
EU RoHS Directive	Pro-active compliance (Product out of EU RoHS legal scope)
Mercury free	Yes
China RoHS Regulation	China RoHS Declaration
RoHS exemption information	Yes
Environmental Disclosure	Product Environmental Profile
Circularity Profile	End Of Life Information
PVC free	Yes

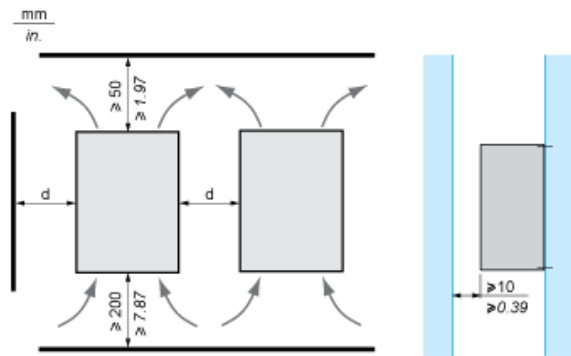
Contractual warranty

Warranty	18 months
----------	-----------

Dimensions

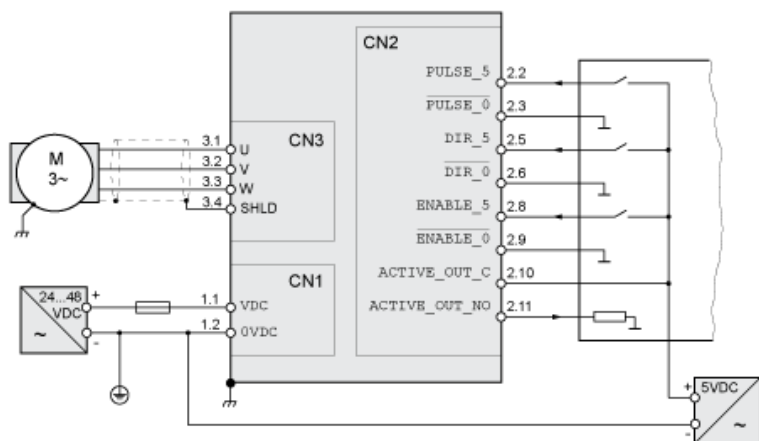


Mounting and Clearance



d : >30 mm/1.18 in.

Wiring Example with 5 V



Wiring Example with 24 V

