



### Main

Range of product	Modicon M171/M172
Product or component type	Programmable controllers
Product specific application	HVAC and pumping solution
Variant	Programmable
Total inputs/outputs	27
Discrete input number	8
Discrete output number	3 for relay outputs SPST with same common 2 for relay outputs SPST with same common 2 for relay outputs SPDT with independent common
Discrete output current	8 A for relay SPDT 5 A for relay SPST
Analogue input number	2 analog input NTC 4 configurable
Analogue output number	3 voltage/current, range: 4...20 mA or 0...10 V 2 open collector, range: 1 kHz, 12 V, 35 mA

### Complementary

Number of port	1 CAN port - screw terminal block 1 USB type A - USB type A female 1 USB type mini B - USB device port Mini-B 1 RS485 - screw terminal block (Modbus serial link)
Input/output number	6 analog input(s) 5 analog output(s) 8 digital input(s) 7 digital output(s) 1 high-speed counter(s)
Discrete input logic	Sink or source (positive/negative)
Discrete input voltage	24 V AC/DC 48 V DC
Discrete input current	2.5 mA
Input impedance	20 kOhm
Analogue input type	Voltage 0...5 V (ratiometric) Current 4...20 mA Impedance 0...1500 hOhm Impedance 0...300 daOhm NTC temperature probe - 50...110 °C - resolution: 0.1 °C (extended) Voltage 0...10 V Pt 1000 temperature probe - 200...800 °C - resolution: 0.1 °C NTC temperature probe - 40...150 °C - resolution: 0.1 °C
Sensor power supply	5 V DC at 50 mA 12 V DC at 150 mA
[Us] rated supply voltage	24 V +/- 20 % AC/DC 48 V +/- 20 % DC
Power consumption in W	5 W at 24...48 V AC/DC
Realtime clock	Built-in clock at -10...55 °C
Display type	LCD display - 128 x 64 pixels
Overvoltage category	II
Local signalling	1 LED (red) for programmable 1 LED (yellow) for programmable 1 LED (green) for programmable
Mounting support	Flush mounting

The information provided in this documentation contains general descriptions and/or technical characteristics of the performance of the products contained herein. This documentation is not intended as a substitute for and is not to be used for determining suitability or reliability of these products for specific user applications. It is the duty of any such user or integrator to perform the appropriate and complete risk analysis, evaluation and testing of the products with respect to the relevant specific application or use thereof. Neither Schneider Electric Industries SAS nor any of its affiliates or subsidiaries shall be responsible or liable for misuse of the information contained herein.

Width	160 mm
Height	96 mm
Depth	10 mm
Net weight	0.32 kg

## Environment

Directives	86/188/EEC - physical agents (noise) directive 2006/95/EC - low voltage directive
Standards	EN/IEC 60730
Product certifications	CE[RETURN]CSA[RETURN]cURus[RETURN]EAC
Ambient air temperature for operation	-10...55 °C conforming to UL 60730-1
Ambient air temperature for storage	-20...85 °C
Relative humidity	10...90 % non-condensing
IP degree of protection	IP20
Pollution degree	2

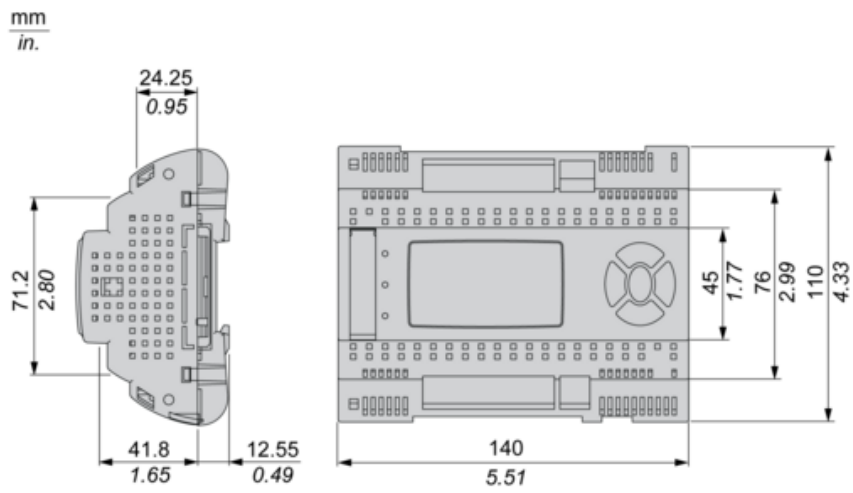
## Packing Units

Unit Type of Package 1	PCE
Number of Units in Package 1	1
Package 1 Height	13.0 cm
Package 1 Width	9.1 cm
Package 1 Length	18.5 cm
Package 1 Weight	505.0 g
Unit Type of Package 2	S02
Number of Units in Package 2	6
Package 2 Height	15.0 cm
Package 2 Width	30.0 cm
Package 2 Length	40.0 cm
Package 2 Weight	3.409 kg

## Offer Sustainability

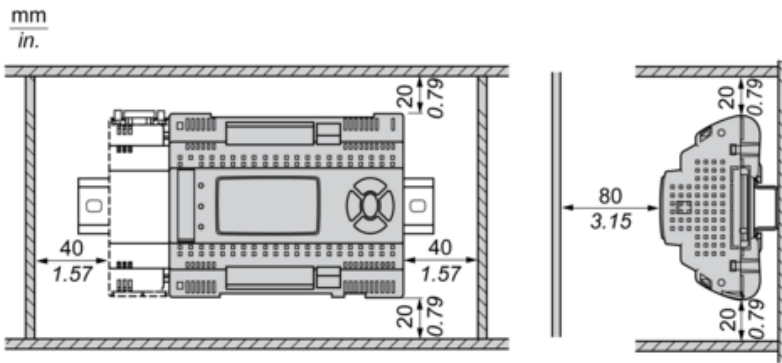
Sustainable offer status	Green Premium product
REACH Regulation	<a href="#">REACH Declaration</a>
EU RoHS Directive	Pro-active compliance (Product out of EU RoHS legal scope)
Mercury free	Yes
China RoHS Regulation	<a href="#">China RoHS Declaration</a>
RoHS exemption information	<a href="#">Yes</a>
Environmental Disclosure	<a href="#">Product Environmental Profile</a>
Circularity Profile	<a href="#">End Of Life Information</a>
WEEE	The product must be disposed on European Union markets following specific waste collection and never end up in rubbish bins
Upgradeability	Upgradeable through digital modules and upgraded components

Dimensions

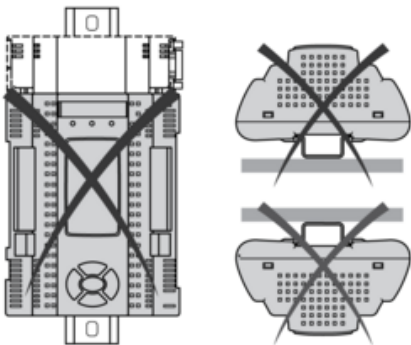


Mounting and Clearance

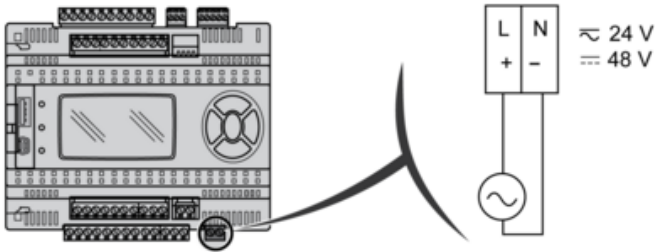
Clearance



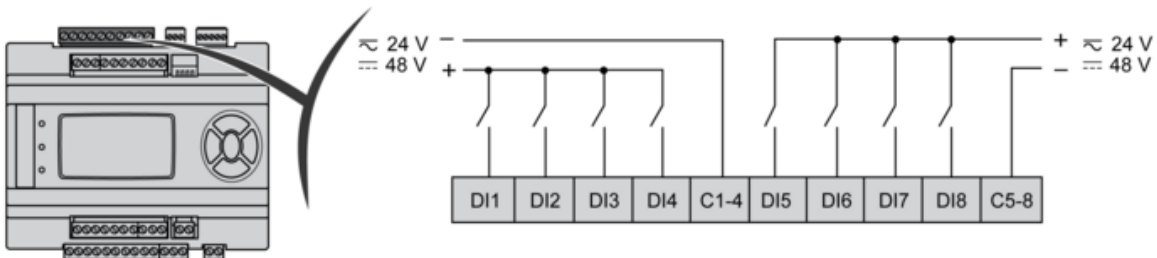
Misplacement



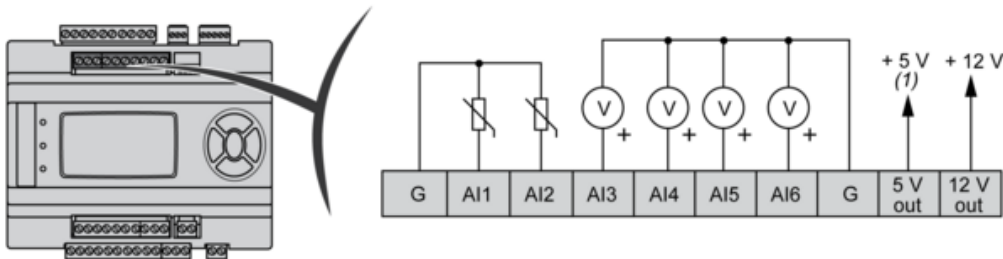
Power Supply



Digital Inputs



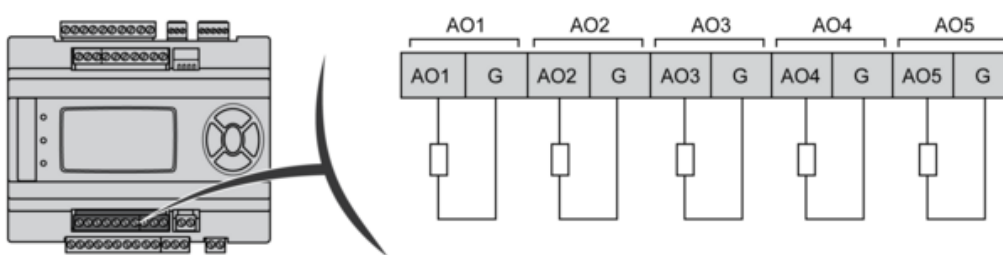
Analog Inputs



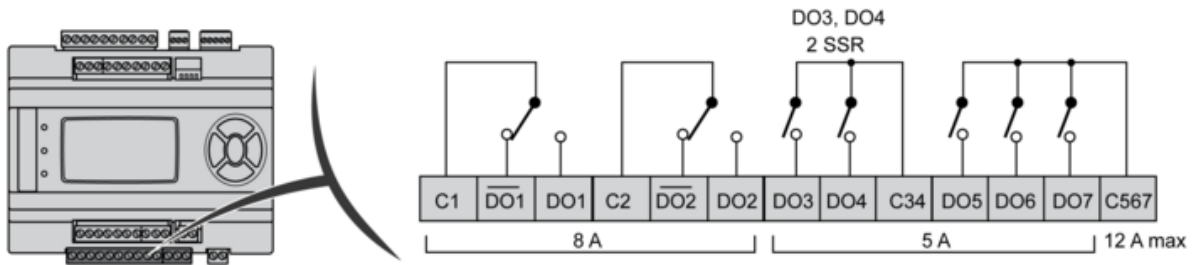
(1) Max current: 50 mA.

G : Ground

Analog Outputs

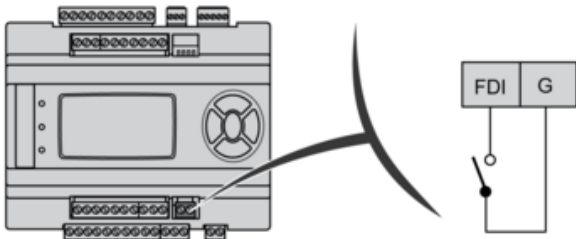


Digital Outputs

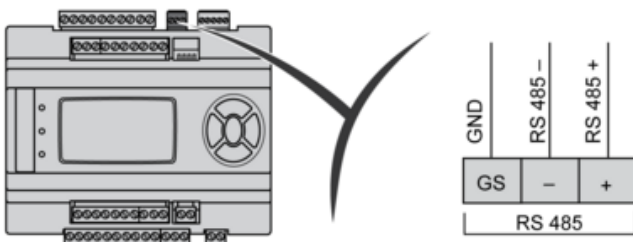


C : common

### Fast Digital Input

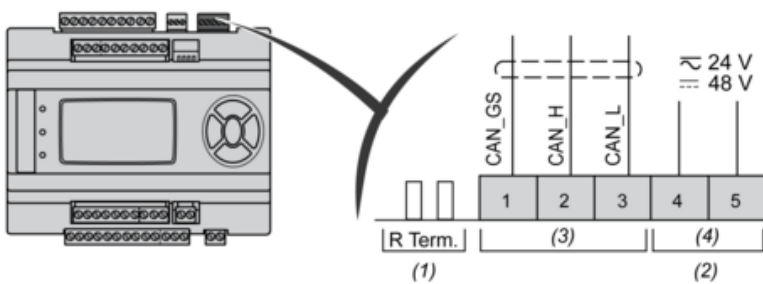


### Serial Line Port (RS 485)



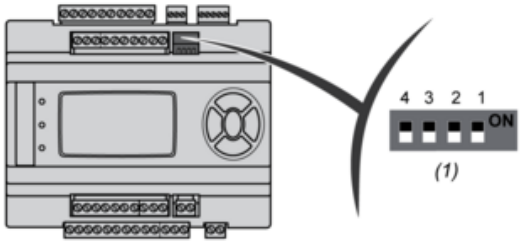
Apply 120 Ohm terminal resistance  
GS serial GND isolated from G

### CAN Expansion Bus



- (1) CAN terminal resistance
- (2) Output for remote keyboard
- (3) CANOPEN
- (4) Power Out

### 4 DipSwitches



(1) 4 DIP SWITCH  
LOW Address