

Product data sheet

Characteristics

VW3A7602R07

braking resistor - 27 ohm - 100 W - cable 0.75 m - IP65



Main

Range of product	Lexium Altivar
Range compatibility	Lexium 28 Lexium 32i Lexium 52 Lexium 05 Lexium 32 Lexium 15 Easy Lexium 16
Product compatibility	Motion servo drive LXM16D at 0.75 kW, 200...230 V, single phase Motion servo drive LXM16D at 1 kW, 200...230 V, single phase Motion servo drive LXM16D at 1.5 kW, 200...230 V, single phase
Product or component type	Braking resistor
Ohmic value	27 Ohm

Complementary

Energy peak	1900 J at 400 V 3800 J at 230 V 1900 J at 480 V 4200 J at 115 V
Continuous power	100 W
Protection type	Thermal protection via the servo drive
Net weight	0.63 kg
Cable length	0.75 m

Environment

IP degree of protection	IP65
Ambient air temperature for storage	-25...85 °C
Ambient air temperature for operation	0...50 °C

Packing Units

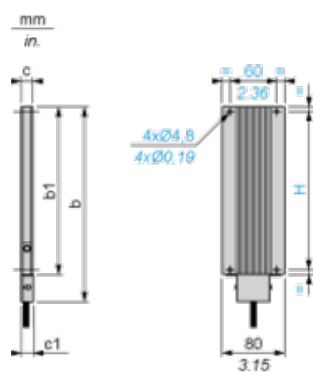
Unit Type of Package 1	PCE
Number of Units in Package 1	1
Package 1 Height	4.5 cm
Package 1 Width	12.6 cm
Package 1 Length	39.8 cm
Package 1 Weight	600.0 g
Unit Type of Package 2	S04
Number of Units in Package 2	20
Package 2 Height	30.0 cm
Package 2 Width	40.0 cm
Package 2 Length	60.0 cm
Package 2 Weight	12.912 kg

Contractual warranty

Warranty	18 months
----------	-----------

Braking Resistor

Dimensions



Dimensions in mm

b	b1	c	c1	H
145	110	15	15.5	98

Dimensions in in.

b	b1	c	c1	H
5.70	4.33	0.59	0.61	3.85