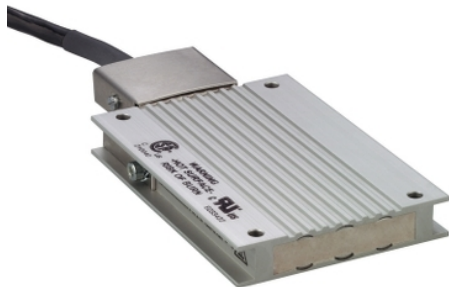


Product data sheet

Characteristics

VW3A7602R20

braking resistor - 27 ohm - 100 W - cable 2 m - IP65



Main

Range of product	Altivar Lexium
Range compatibility	Lexium 15 Lexium 05 Lexium 28 Lexium 52 Lexium 32 Lexium 32i Easy Lexium 16
Product compatibility	Motion servo drive LXM16D at 0.75 kW, 200...230 V, single phase Motion servo drive LXM16D at 1 kW, 200...230 V, single phase Motion servo drive LXM16D at 1.5 kW, 200...230 V, single phase
Product or component type	Braking resistor
Ohmic value	27 Ohm

Complementary

Energy peak	1900 J at 400 V 3800 J at 230 V 1900 J at 480 V 4200 J at 115 V
Continuous power	100 W
Protection type	Thermal protection via the servo drive
Net weight	0.78 kg
Cable length	2 m

Environment

IP degree of protection	IP65
Ambient air temperature for storage	-25...85 °C
Ambient air temperature for operation	0...50 °C

Packing Units

Unit Type of Package 1	PCE
Number of Units in Package 1	1
Package 1 Height	4.5 cm
Package 1 Width	40.0 cm
Package 1 Length	13.0 cm
Package 1 Weight	750.0 g

Offer Sustainability

RECh Regulation	RECh Declaration
RECh free of SVHC	Yes
EU RoHS Directive	Pro-active compliance (Product out of EU RoHS legal scope) EU RoHS Declaration
Toxic heavy metal free	Yes
Mercury free	Yes

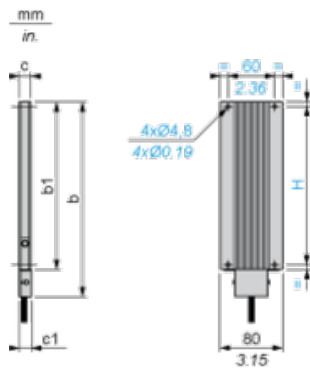
China RoHS Regulation	China RoHS Declaration
RoHS exemption information	Yes

Contractual warranty

Warranty	18 months
----------	-----------

Braking Resistor

Dimensions



Dimensions in mm

b	b1	c	c1	H
145	110	15	15.5	98

Dimensions in in.

b	b1	c	c1	H
5.70	4.33	0.59	0.61	3.85