

XALE1441

Control station, Harmony XALE, key selector switch, for XB7 22mm, 2 positions, grey, white marked O-I, 1NO



Main

Range of product	Harmony XALE
Product or component type	Complete control station
Device short name	XALE
Product destination	For XB7 Ø 22 mm control and signalling units
Control station application	One function
Colour of base of enclosure	Light grey (RAL 7035)
Colour of cover	Light grey (RAL 7035)
Material	ABS (acrylonitrile butadiene-styrene)
IP degree of protection	IP54 conforming to IEC 60529
Control station composition	1 key selector switch, stay put 1 NO, white O-I marking
Marking location	Marking on legend holder
Contact operation	Slow-break

Complementary

Cable entry	2 knock-outs, clamping capacity: 16 mm 4 knock-outs for ISO M20
Net weight	0.115 kg
Marking	CE
Operator position information	2 positions
Key number	455
Key withdrawal position	Left-hand
Positive opening	Without
Short-circuit protection	4 A cartridge fuse type gG conforming to EN/IEC 60947-5-1
[Ui] rated insulation voltage	250 V (pollution degree 3) conforming to EN/IEC 60947-1
[Uimp] rated impulse withstand voltage	4 kV conforming to EN/IEC 60947-1
[Ie] rated operational current	0.1 A at 250 V, DC-13, R300 conforming to EN/IEC 60947-5-1 0.22 A at 125 V, DC-13, R300 conforming to EN/IEC 60947-5-1 0.3 A at 240 V, AC-14, D300 conforming to EN/IEC 60947-5-1 0.6 A at 120 V, AC-14, D300 conforming to EN/IEC 60947-5-1
Electrical reliability	$\Lambda \leq 10\exp(-6)$ at 17 V and 5 mA conforming to IEC 60947-5-4

Environment

Protective treatment	TC
Ambient air temperature for storage	-40...70 °C
Ambient air temperature for operation	-25...55 °C
Electrical shock protection class	Class II conforming to IEC 60536
IK degree of protection	IK05 conforming to EN 50102
Standards	EN/IEC 60947-5-1 EN/IEC 62208 EN/IEC 60947-5-5 EN/IEC 60947-1

The information provided in this documentation contains general descriptions and/or technical characteristics of the performance of the products contained herein. This documentation is not intended as a substitute for and is not to be used for determining suitability or reliability of these products for specific user applications. It is the duty of any such user or integrator to perform the appropriate and complete risk analysis, evaluation and testing of the products with respect to the relevant specific application or use thereof. Neither Schneider Electric Industries SAS nor any of its affiliates or subsidiaries shall be responsible or liable for misuse of the information contained herein.

Packing Units

Unit Type of Package 1	PCE
Number of Units in Package 1	1
Package 1 Height	8.3 cm
Package 1 Width	10.0 cm
Package 1 Length	11.5 cm
Package 1 Weight	143.0 g
Unit Type of Package 2	S03
Number of Units in Package 2	25
Package 2 Height	30.0 cm
Package 2 Width	30.0 cm
Package 2 Length	40.0 cm
Package 2 Weight	4.044 kg

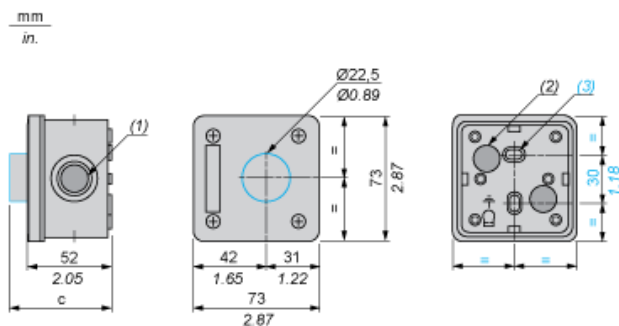
Offer Sustainability

Sustainable offer status	Green Premium product
REACH Regulation	REACH Declaration
EU RoHS Directive	Pro-active compliance (Product out of EU RoHS legal scope)
Mercury free	Yes
China RoHS Regulation	China RoHS Declaration
RoHS exemption information	Yes
Environmental Disclosure	Product Environmental Profile
Circularity Profile	End Of Life Information
WEEE	The product must be disposed on European Union markets following specific waste collection and never end up in rubbish bins

Contractual warranty

Warranty	18 months
----------	-----------

Dimensions



- (1) 4 ISO 20 knock-outs.
- (2) 2 knock-outs for cable entry, maximum capacity 16 mm / 0.63 in.
- (3) 2 knock-out elongated fixing holes $\varnothing 3$ mm x 5 mm / $\varnothing 0.12$ in. x 0.20 in.

Control station XALE fitted with:	c in mm	c in in.
Flush pushbutton	61	2.40
Projecting pushbutton	63	2.48
Illuminated pushbutton	66.5	2.62
Pilot light	63	2.48
Emergency stop without key	81.5	3.21
Selector switch with standard handle	76.5	3.01
Key switch	92	3.62