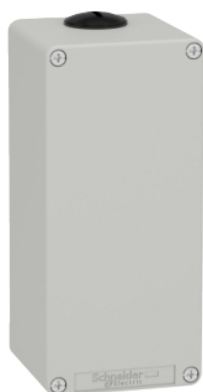


# XAPD34

Die cast empty control station, Harmony XAP, XB2 SL, zinc alloy, grey, M25, undrilled, 80x175x77mm



## Main

|                               |  |
|-------------------------------|--|
| Range of product              | Harmony XAP  |
| Product or component type     | Die-cast empty control station                       |
| Device short name             | XAPD   |
| Product destination           | For Ø 22 mm control and signalling units             |
| Product front plate size      | 80 x 175 mm  |
| Usable depth                  | 74.5 mm  |
| Number of cut-out             | Without cut-out                                      |
| Colour of base of enclosure   | Grey (RAL 7035)                                      |
| Colour of cover               | Grey (RAL 7035)                                      |
| Material                      | Die cast zinc  |
| Sale per indivisible quantity | 1  |
| IP degree of protection       | IP65 conforming to EN/IEC 60529 and EN/IEC 60947-5-1 |

## Complementary

|                           |                                   |
|---------------------------|-----------------------------------|
| Number of vertical rows   | 0                                 |
| Number of horizontal rows | 0                                 |
| Control station type      | Metal                             |
| Cable entry               | 2 x cable gland conforming to ISO |
| Thread type               | M25 x 1.5                         |
| CAD overall width         | 80 mm                             |
| CAD overall height        | 175 mm                            |
| CAD overall depth         | 77 mm                             |
| Net weight                | 1.145 kg                          |

## Environment

|                                       |  |
|---------------------------------------|--|
| Protective treatment                  | TC   |
| Ambient air temperature for storage   | -40...70 °C                                  |
| Ambient air temperature for operation | -25...70 °C                                  |
| Electrical shock protection class     | Class I conforming to IEC 61140              |
| IK degree of protection               | IK07 conforming to IEC 62262                 |
| Resistance to chemical agents         | Special treatment can be obtained on request |
| Product certifications                | EAC  |

## Packing Units

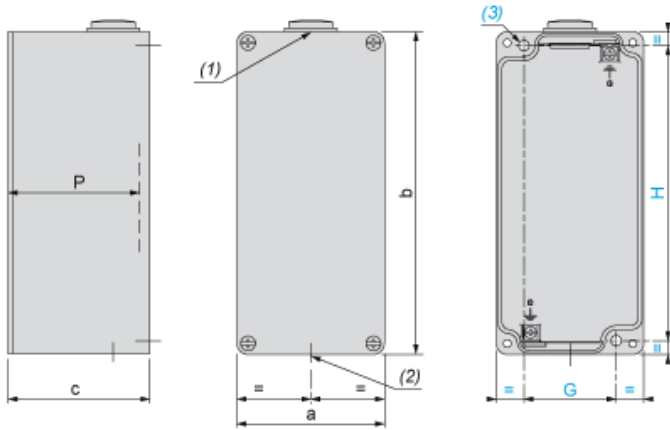
|                              |           |
|------------------------------|-----------|
| Unit Type of Package 1       | PCE       |
| Number of Units in Package 1 | 1         |
| Package 1 Height             | 9.000 cm  |
| Package 1 Width              | 11.900 cm |
| Package 1 Length             | 18.700 cm |
| Package 1 Weight             | 1.330 kg  |
| Unit Type of Package 2       | S02       |

|                              |           |
|------------------------------|-----------|
| Number of Units in Package 2 | 6         |
| Package 2 Height             | 15.000 cm |
| Package 2 Width              | 30.000 cm |
| Package 2 Length             | 40.000 cm |
| Package 2 Weight             | 8.387 kg  |
| Unit Type of Package 3       | P06       |
| Number of Units in Package 3 | 48        |
| Package 3 Height             | 45.000 cm |
| Package 3 Width              | 60.000 cm |
| Package 3 Length             | 80.000 cm |
| Package 3 Weight             | 75.096 kg |

## Offer Sustainability

|                            |  |
|----------------------------|--|
| Sustainable offer status   | Green Premium product  |
| REACH Regulation           | <a href="#">REACH Declaration</a>  |
| REACH free of SVHC         | Yes  |
| EU RoHS Directive          | Pro-active compliance (Product out of EU RoHS legal scope) <a href="#">EU RoHS Declaration</a> |
| Toxic heavy metal free     | Yes  |
| Mercury free               | Yes  |
| China RoHS Regulation      | <a href="#">China RoHS Declaration</a>   |
| RoHS exemption information | <a href="#">Yes</a>  |
| Environmental Disclosure   | <a href="#">Product Environmental Profile</a>  |
| Circularity Profile        | No need of specific recycling operations   |

Dimensions and Fixing



(1) : 1 hole, with blanking plug (protrusion 6 mm/0.24 in.), for cable gland ISO M25 x 1.5

(2) : 1 hole, without blanking plug, for cable gland ISO M25 x 1.5

(3) : 2 x Ø 5.6 mm/0.22 in. holes, depth 19 mm/0.75 in.

P : Usable depth

| a  |      | b   |      | c  |      | G  |      | H   |      | P    |      |
|----|------|-----|------|----|------|----|------|-----|------|------|------|
| mm | in.  | mm  | in.  | mm | in.  | mm | in.  | mm  | in.  | mm   | in.  |
| 80 | 3.15 | 175 | 6.89 | 77 | 3.03 | 50 | 1.97 | 160 | 6.30 | 74.5 | 2.93 |