

# XVMB2RGSB

Modular tower lights, Harmony XVM, aluminium, support tube with bracket, red green, 45mm, steady, super bright LED, 24V AC DC



## Main

|                                    |  |
|------------------------------------|--|
| Range of product                   | Harmony XVM  |
| Product or component type          | Pre-assembled and pre-cabled indicator bank  |
| Beacon or indicator bank unit type | 2 illuminated units  |
| Component name                     | XVM  |
| Light source                       | Green super bright LED with BA 15d base steady signalling<br>Red super bright LED with BA 15d base steady signalling |
| Light block color                  | Red/green  |
| [Us] rated supply voltage          | 24 V AC/DC   |
| Indicator bank base type           | Base without buzzer  |
| Mounting mode                      | Vertical   |

## Complementary

|  |  |
|--|--|
| Kit composition                        | Cover<br>Aluminium support tube<br>Plastic fixing plate<br>Base unit |
| Mounting diameter                      | 45 mm  |
| Connections - terminals                | Flying leads, clamping capacity: 1 x 0.325 mm <sup>2</sup> (AWG 22)  |
| Marking                                | CE   |
| Mounting support                       | Aluminium tube   |
| [Ui] rated insulation voltage          | 250 V conforming to IEC 60947-1                                      |
| Nominal voltage limit                  | 0.85...1.1 Un conforming to IEC 60947-5-1                            |
| Current consumption                    | 43 mA on steady LED unit   |
| [Uimp] rated impulse withstand voltage | 4 kV conforming to IEC 60947-1                                       |
| Net weight                             | 0.395 kg   |

## Environment

|                                       |   |
|---------------------------------------|---|
| IP degree of protection               | IP42 vertical position conforming to IEC 60529  |
| Product certifications                | CCC   |
| Standards                             | IEC 60947-5-1<br>IEC 60947-1  |
| Ambient air temperature for storage   | -25...70 °C   |
| Ambient air temperature for operation | -10...50 °C   |
| Overvoltage category                  | Class I conforming to IEC 60947-1<br>Class I conforming to IEC 60947-5-1<br>Class I conforming to IEC 61140 |
| Protective treatment                  | TC  |

The information provided in this documentation contains general descriptions and/or technical characteristics of the performance of the products contained herein. This documentation is not intended as a substitute for and is not to be used for determining suitability or reliability of these products for specific user applications. It is the duty of any such user or integrator to perform the appropriate and complete risk analysis, evaluation and testing of the products with respect to the relevant specific application or use thereof. Neither Schneider Electric Industries SAS nor any of its affiliates or subsidiaries shall be responsible or liable for misuse of the information contained herein.

## Packing Units

|                              |           |
|------------------------------|-----------|
| Unit Type of Package 1       | PCE       |
| Number of Units in Package 1 | 1         |
| Package 1 Height             | 5.5 cm    |
| Package 1 Width              | 8.3 cm    |
| Package 1 Length             | 54.0 cm   |
| Package 1 Weight             | 516.0 g   |
| Unit Type of Package 2       | S04       |
| Number of Units in Package 2 | 20        |
| Package 2 Height             | 30.0 cm   |
| Package 2 Width              | 40.0 cm   |
| Package 2 Length             | 60.0 cm   |
| Package 2 Weight             | 11.375 kg |
| Unit Type of Package 3       | P06       |
| Number of Units in Package 3 | 80        |
| Package 3 Height             | 80.0 cm   |
| Package 3 Width              | 80.0 cm   |
| Package 3 Length             | 60.0 cm   |
| Package 3 Weight             | 54.788 kg |

## Offer Sustainability

|                            |   |
|----------------------------|---|
| Sustainable offer status   | Green Premium product   |
| REACH Regulation           | <a href="#">REACH Declaration</a>   |
| EU RoHS Directive          | Pro-active compliance (Product out of EU RoHS legal scope)  |
| Mercury free               | Yes   |
| China RoHS Regulation      | <a href="#">China RoHS Declaration</a>  |
| RoHS exemption information | <a href="#">Yes</a>   |
| Environmental Disclosure   | <a href="#">Product Environmental Profile</a>   |
| Circularity Profile        | No need of specific recycling operations  |
| WEEE                       | The product must be disposed on European Union markets following specific waste collection and never end up in rubbish bins |

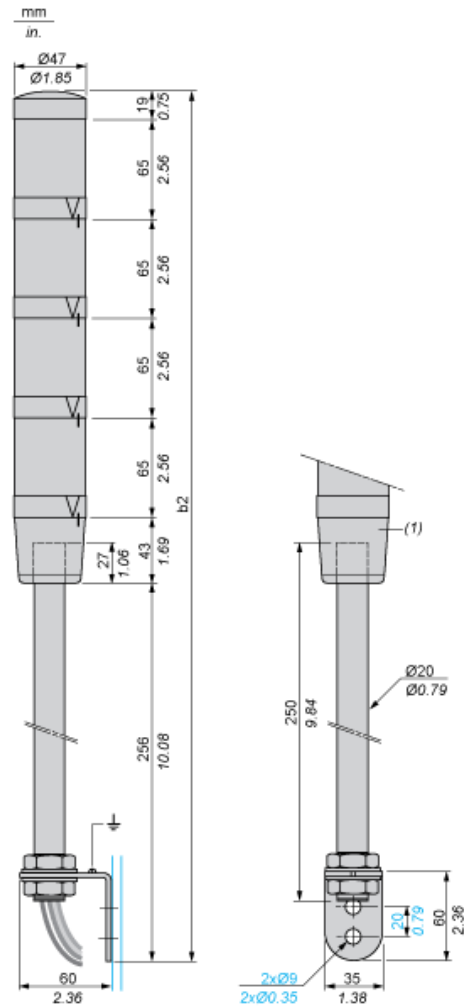
## Contractual warranty

|          |           |
|----------|-----------|
| Warranty | 18 months |
|----------|-----------|

Pre-Assembled and Pre-Cabled Tower Light with Fixing Base for Mounting on Vertical Support (Support Tube + Metal Bracket)

Dimensions

Below drawing shows the maximum configuration of the product. Select the number of stages according to the product characteristics in order to get b2 dimension.



(1) Base unit with or without buzzer.

| Number of illuminated units | b2 in mm | b2 in in. |
|-----------------------------|----------|-----------|
| 1 unit                      | 383      | 15.08     |
| 2 units                     | 448      | 17.64     |
| 3 units                     | 513      | 20.20     |
| 4 units                     | 578      | 22.76     |

---

Pre-Assembled and Pre-Cabled Tower Light

---

Wire Colors

4th illuminated unit: yellow wire

3rd illuminated unit: green wire

2nd illuminated unit: white wire

1st illuminated unit: blue wire

Common: black wire

Buzzer (if integrated in base unit): grey wire