

ZARB10WSP

Base station, Harmony eXLhoist, compact, Receiver, 10 relays outputs, pre wired 1.5 m cable, 48...240V AC



Main

Range of product	Harmony eXLhoist
Product or component type	Base station
Device short name	ZARB
Product specific application	Hoisting applications Material handling

Complementary

Cable entry	Cable pre-wired
Material	ABS + PC
[Us] rated supply voltage	48...240 V AC
Provided equipment	Internal antenna
Nominal output current	0.5 A at 48 V AC conforming to IEC 60947-5-1
Number of relays	10
Relay type	Motion relay outputs with 9 NO contact Auxiliary relay outputs with 1 NO contact
Safety outputs	2 NC relay outputs
Maximum switching current	10 A
Maximum switching voltage	240 V AC (+/- 20 %)
Communication network type	Wireless: Zigbee
Transmission frequency	2.4 GHz
Maximum sensing distance	100 m in free field
Fixing mode	4 holes
Electrical durability	100000 cycles
Mechanical durability	10000000 cycles
Width	120 mm
Height	117 mm
Depth	51 mm
Net weight	0.88 kg

Environment

IP degree of protection	IP66
Radio agreement	FCC IC
Relative humidity	0...97 %
Ambient air temperature for operation	-20...55 °C
Ambient air temperature for storage	-40...70 °C
Product certifications	CE

The information provided in this documentation contains general descriptions and/or technical characteristics of the performance of the products contained herein. This documentation is not intended as a substitute for and is not to be used for determining suitability or reliability of these products for specific user applications. It is the duty of any such user or integrator to perform the appropriate and complete risk analysis, evaluation and testing of the products with respect to the relevant specific application or use thereof. Neither Schneider Electric Industries SAS nor any of its affiliates or subsidiaries shall be responsible or liable for misuse of the information contained herein.

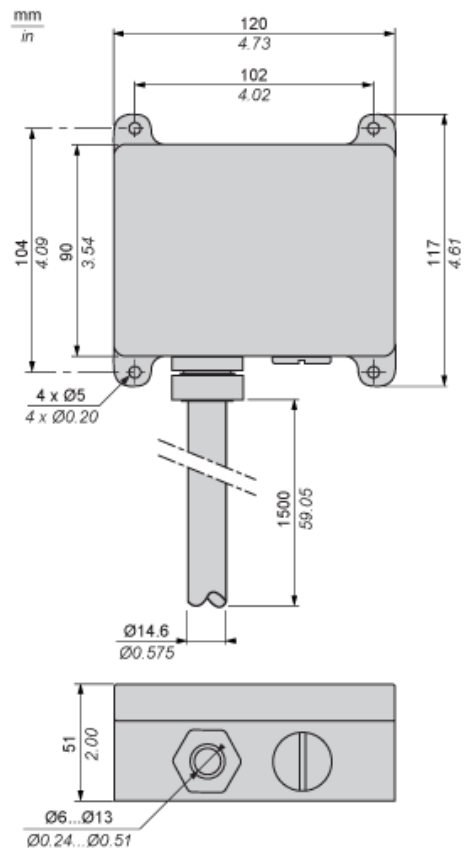
Packing Units

Unit Type of Package 1	PCE
Number of Units in Package 1	1
Package 1 Height	7.600 cm
Package 1 Width	18.800 cm
Package 1 Length	22.200 cm
Package 1 Weight	1.035 kg
Unit Type of Package 2	S03
Number of Units in Package 2	7
Package 2 Height	30.000 cm
Package 2 Width	30.000 cm
Package 2 Length	40.000 cm
Package 2 Weight	7.596 kg

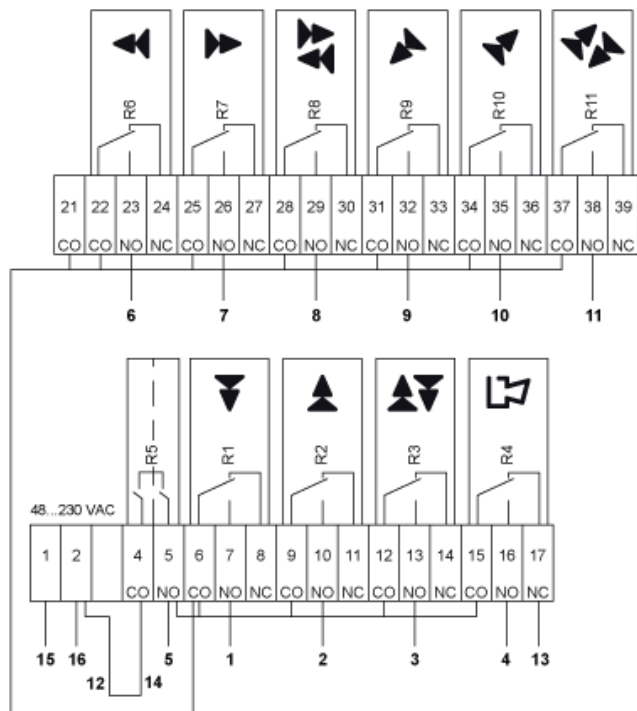
Offer Sustainability

EU RoHS Directive	Pro-active compliance (Product out of EU RoHS legal scope)
Mercury free	Yes
China RoHS Regulation	 China RoHS Declaration
RoHS exemption information	 Yes
WEEE	The product must be disposed on European Union markets following specific waste collection and never end up in rubbish bins

Dimensions



Wiring Diagram



Signal		Pin number	Cable no.
Power supply / -		1	15
Power supply / +		2	16 & 12 ⁽¹⁾
Not connected		3	-
Stop relay R5	Common	4	14
Output (NO type)	5	5	
Relay R1	Common	6	-
Output (NO type)	7	1	
Output (NC type)	8	-	
Relay R2	Common	9	-
Output (NO type)	10	2	
Output (NC type)	11	-	
Relay R3	Common	12	-
Output (NO type)	13	3	
Output (NC type)	14	-	
Relay R4	Common	15	-
Output (NO type)	16	4	
Output (NC type)	17	13	
Common		21	-
Relay R6	Common	22	-
Output (NO type)	23	6	
Output (NC type)	24	-	

Signal		Pin number	Cable no.
Relay R7	Common	25	-
Output (NO type)	26	7	
Output (NC type)	27	-	
Relay R8	Common	28	-
Output (NO type)	29	8	
Output (NC type)	30	-	
Relay R9	Common	31	-
Output (NO type)	32	9	
Output (NC type)	33	-	
Relay R10	Common	34	-
Output (NO type)	35	10	
Output (NC type)	36	-	
Relay R11	Common	37	-
Output (NO type)	38	11	
Output (NC type)	39	-	

(1) : If power supply voltage EQUAL TO control voltage application: No changes needed.

If power supply voltage NOT EQUAL TO control voltage application: Remove jumper (between wires 12 and 14) , and use wire 14 to deliver control voltage application.