

# ZART8DM

Remote control, Harmony eXLhoist, standard, display, 6 motion push buttons, 2 auxiliary push buttons, MBC (tandem)



## Main

Range of product	Harmony eXLhoist
Product or component type	Hand-held remote control
Device short name	ZART
Control button type	6 configurable motion push-button 2 configurable auxiliary push-button

## Complementary

Device application	Master in multiple bridge control (tandem) Slave in multiple bridge control (tandem) Master and slave in multiple bridge control (tandem)
Material	Enclosure: PC (polycarbonate) Enclosure: PBT (polybutylene terephthalate) Cover: PP (polypropylene) Protective cover: EPDM rubber
Function available	Vibrator function Accelerometer function
Display type	LCD display 34 x 42 mm
Operating distance	50 m
Mechanical robustness	Free fall resistance 4.5 m conforming to IEC 60068-2-27
Communication network type	Wireless: bluetooth low energy
Transmission frequency	2.4 GHz
Maximum sensing distance	100 m in free field
Response time	< 300 ms at full duplex
Charging time	900 s
Autonomy	30 h
Mechanical durability	5000000 cycles
Service life	5 year(s)
Width	100 mm
Height	340 mm
Depth	90 mm
Net weight	0.65 kg

## Environment

Radio agreement	RSS ICASA ANATEL ARIB FCC SRRC
IP degree of protection	IP65
NEMA degree of protection	NEMA 4
Ambient air temperature for operation	-20...60 °C
Ambient air temperature for storage	-20...45 °C

Operating altitude	0...2000 m
Storage altitude	0...3000 m
Vibration resistance	0.075 mm conforming to IEC 60068-2-6 (f = 10...55 Hz)
Shock resistance	100 gn conforming to IEC 60068-2-27
Relative humidity	0...95 % at -20...60 °C operating
Product certifications	CSA[RETURN]KC[RETURN]C-Tick[RETURN]UL[RETURN]EAC[RETURN]CE[RETURN]JIS

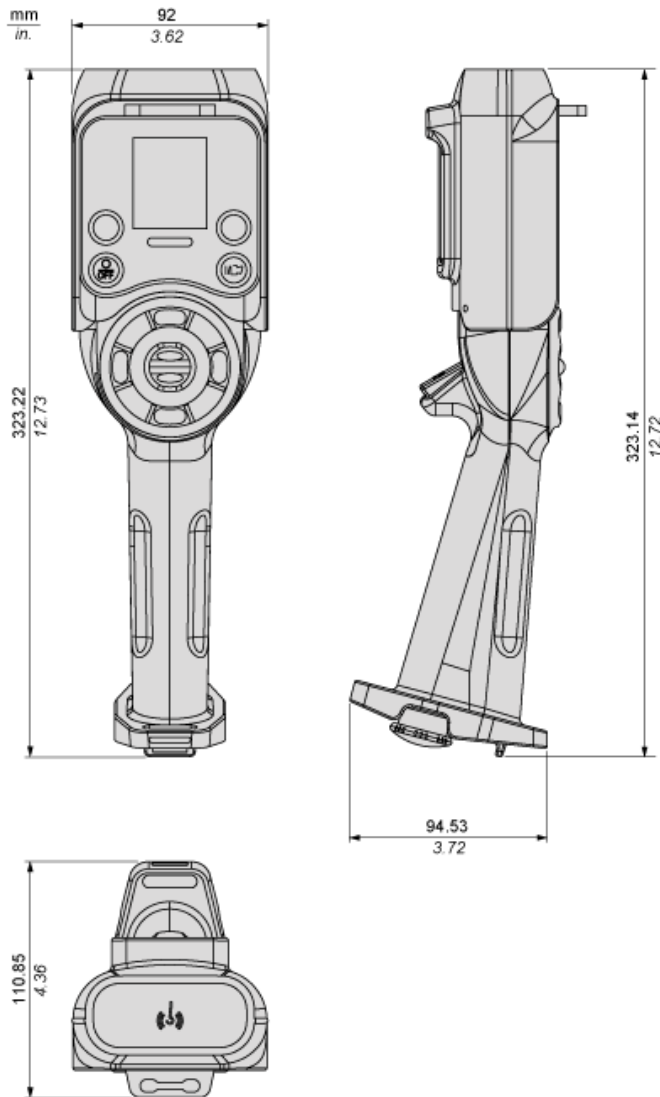
## Packing Units

Unit Type of Package 1	PCE
Number of Units in Package 1	1
Package 1 Height	10.5 cm
Package 1 Width	10.7 cm
Package 1 Length	33.36 cm
Package 1 Weight	730.0 g
Unit Type of Package 2	S04
Number of Units in Package 2	4
Package 2 Height	30.0 cm
Package 2 Width	40.0 cm
Package 2 Length	60.0 cm
Package 2 Weight	7.972 kg

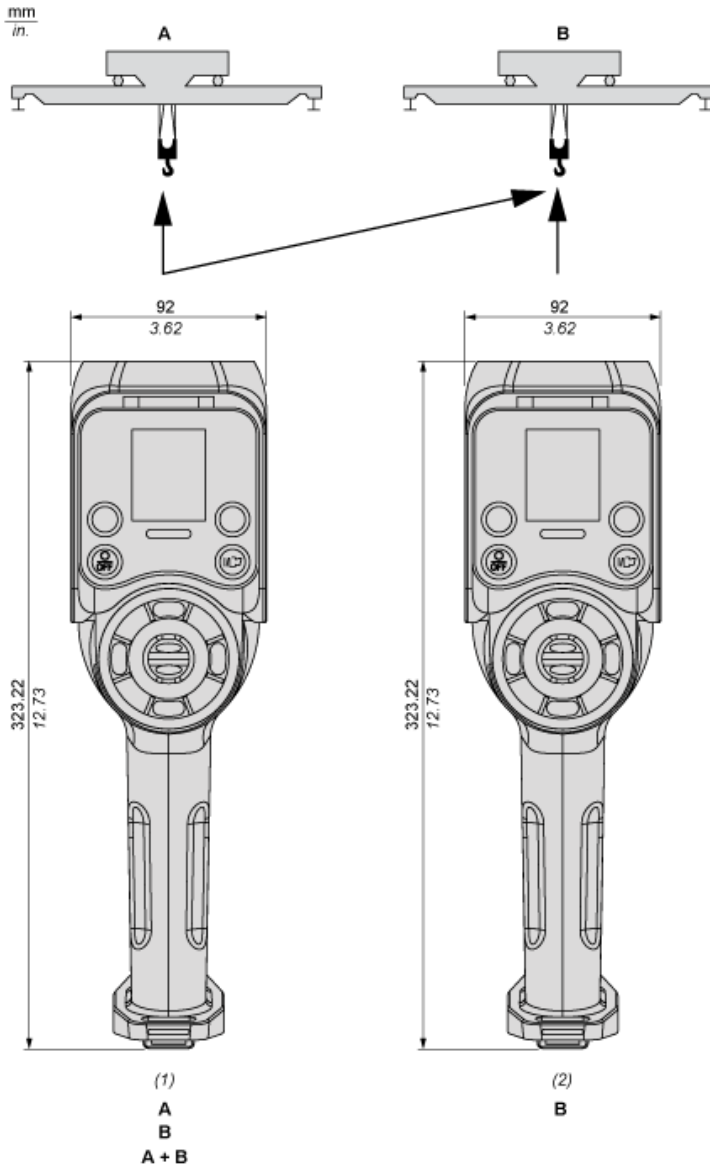
## Offer Sustainability

EU RoHS Directive	Pro-active compliance (Product out of EU RoHS legal scope)
Mercury free	Yes
China RoHS Regulation	 <a href="#">China RoHS Declaration</a>
RoHS exemption information	 <a href="#">Yes</a>
WEEE	The product must be disposed on European Union markets following specific waste collection and never end up in rubbish bins

## Dimensions



## Multiple Bridge Control



- A : Bridge 1
- B : Bridge 2
- (1) Master
- (2) Slave