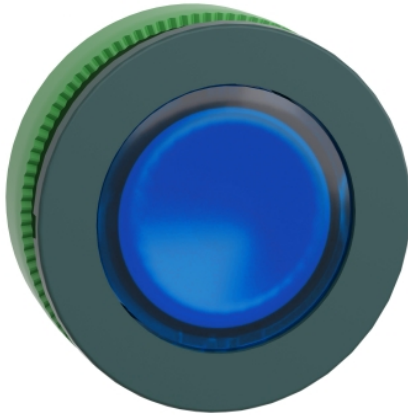


# ZB5FH063

Head for illuminated push button, Harmony XB5, plastic, blue flush mounted, 30mm, universal LED, push push, unmarked



## Main

|                               |                                  |
|-------------------------------|----------------------------------|
| Range of product              | Harmony XB5                      |
| Product or component type     | Head for illuminated push-button |
| Device short name             | ZB5F                             |
| Product compatibility         | Universal LED                    |
| Bezel material                | Dark grey plastic                |
| Mounting diameter             | 30.5 mm                          |
| Head type                     | Built-in-flush                   |
| Sale per indivisible quantity | 1                                |
| Shape of signaling unit head  | Round                            |
| Type of operator              | push-push                        |
| Operator profile              | Blue flush, unmarked             |

## Complementary

|                             |   |
|-----------------------------|---|
| CAD overall width           | 37 mm   |
| CAD overall height          | 37 mm   |
| CAD overall depth           | 30 mm   |
| Net weight                  | 0.03 kg   |
| Mechanical durability       | 500000 cycles   |
| Electrical composition code | C11 for <3 contacts using single blocks in front mounting<br>C15 for <1 contacts using single blocks in front mounting<br>SF1 for <3 contacts using single blocks in front mounting<br>C9 for <3 contacts using single blocks in front mounting |

## Environment

|                                       |  |
|---------------------------------------|--|
| Protective treatment                  | TH   |
| Ambient air temperature for storage   | -40...70 °C  |
| Ambient air temperature for operation | -40...70 °C  |
| Overvoltage category                  | Class II conforming to IEC 60536   |
| IP degree of protection               | IP66 conforming to IEC 60529<br>IP67 conforming to IEC 60529<br>IP69 conforming to IEC 60529<br>IP69K conforming to ISO 20653<br>Type 13 conforming to UL 50 E<br>Type 12 conforming to UL 50 E<br>Type 4 conforming to UL 50 E<br>Type 4X conforming to UL 50 E |
| Resistance to high pressure washer    | 7000000 Pa at 55 °C, distance : 0.1 m  |
| IK degree of protection               | IK03 conforming to IEC 50102   |
| Standards                             | UL 508<br>IEC 60947-5-4<br>IEC 60947-1<br>JIS C8201-5-1<br>IEC 60947-5-1<br>CSA C22.2 No 14<br>JIS C8201-1   |
| Product certifications                | UL listed[RETURN]CSA   |

The information provided in this documentation contains general descriptions and/or technical characteristics of the performance of the products contained herein. This documentation is not intended as a substitute for and is not to be used for determining suitability or reliability of these products for specific user applications. It is the duty of any such user or integrator to perform the appropriate and complete risk analysis, evaluation and testing of the products with respect to the relevant specific application or use thereof. Neither Schneider Electric Industries SAS nor any of its affiliates or subsidiaries shall be responsible or liable for misuse of the information contained herein.

|                      |   |
|----------------------|---|
| Shock resistance     | 30 gn (duration = 18 ms) for half sine wave acceleration conforming to IEC 60068-2-27<br>50 gn (duration = 11 ms) for half sine wave acceleration conforming to IEC 60068-2-27<br>25 gn (duration = 6 ms) for 1000 shocks on each axis conforming to IEC 60068-2-27 |
| Vibration resistance | 5 gn (f= 10...500 Hz) conforming to IEC 60068-2-6<br>2 mm peak to peak (f= 2...10 Hz) conforming to IEC 60068-2-6   |

## Packing Units

|                              |        |
|------------------------------|--------|
| Unit Type of Package 1       | PCE    |
| Number of Units in Package 1 | 1      |
| Package 1 Height             | 4.3 cm |
| Package 1 Width              | 5.3 cm |
| Package 1 Length             | 5.5 cm |
| Package 1 Weight             | 25.0 g |

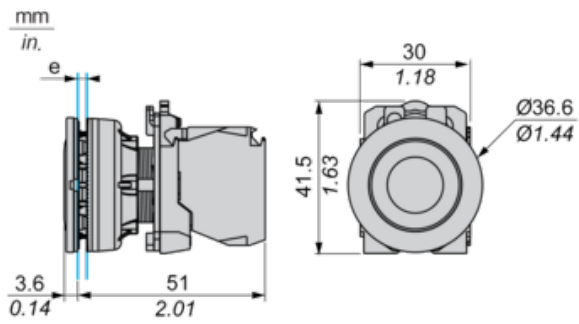
## Offer Sustainability

|                            |  |
|----------------------------|--|
| Sustainable offer status   | Green Premium product  |
| REACH Regulation           | <a href="#">REACH Declaration</a>  |
| REACH free of SVHC         | Yes  |
| EU RoHS Directive          | Pro-active compliance (Product out of EU RoHS legal scope) <a href="#">EU RoHS Declaration</a> |
| Toxic heavy metal free     | Yes  |
| Mercury free               | Yes  |
| China RoHS Regulation      | <a href="#">China RoHS Declaration</a>   |
| RoHS exemption information | <a href="#">Yes</a>  |

## Contractual warranty

|          |           |
|----------|-----------|
| Warranty | 18 months |
|----------|-----------|

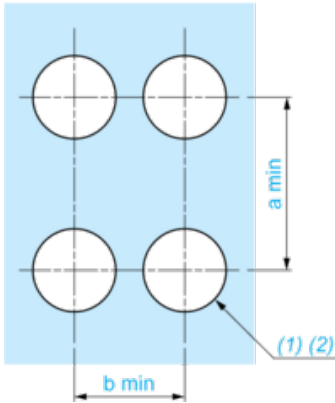
Dimensions



e: Clamping thickness: 1 to 6 mm / 0.04 to 0.24 in.

Panel Cut-out for Pushbuttons, Switches and Pilot Lights (Finished Holes, Ready for Installation)

Connection by Screw Clamp Terminals or Plug-in Connectors



(1) Diameter on finished panel or support

(2)  $\text{Ø}30.75 \text{ mm}$  recommended ( $\text{Ø}30.5 \text{ }_0^{+0.5}$ ) /  $\text{Ø}1.21 \text{ in.}$  recommended ( $\text{Ø}1.20 \text{ in. }_0^{+0.0196}$ )

| Connections                                   | a in mm | a in in. | b in mm | b in in. |
|---|---------|----------|---------|----------|
| By screw clamp terminals or plug-in connector | 40      | 1.57     | 40      | 1.57     |
| By Faston connectors                          | 45      | 1.77     | 40      | 1.57     |

---

Electrical Composition Corresponding to Code C1

---



---

Electrical Composition Corresponding to Code C2

---



---

Electrical Composition Corresponding to Codes C9, C11, SF1 and SR1

---

---

Electrical Composition Corresponding to Code C15

---

1 N/O

1 N/C

1 N/O + N/C or 1 N/O + N/O or 1 N/C + N/C

## Legend

---

Single contact

Double contact

Light block

Possible location

