

## ZBE302

Contact block, Harmony XB4, Harmony XB5, single contact, silver alloy, screw clamp terminal, 1NC with monitoring



### Main

Range of product	Harmony XB4 Harmony XB5
Product or component type	Contact block
Device short name	ZBE
Sale per indivisible quantity	5
IP degree of protection	IP20 conforming to IEC 60529
Contact operation	Slow-break
Contact block type	Single
Contacts usage	Monitoring contact
Connections - terminals	Screw clamp terminals, $\leq 2 \times 1.5 \text{ mm}^2$ with cable end conforming to IEC 60947-1 Screw clamp terminals, $\geq 1 \times 0.34 \text{ mm}^2$ without cable end conforming to IEC 60947-1

### Complementary

CAD overall width	10 mm
CAD overall height	41 mm
CAD overall depth	26 mm
Net weight	0.013 kg
Contacts type and composition	1 NC monitoring contact
Positive opening	With conforming to IEC 60947-5-1 appendix K
Operating travel	1.5 Mm (NC changing electrical state) 4.3 mm (total travel)
Operating force	5 N NC changing electrical state
Mechanical durability	300000 cycles
Tightening torque	0.8...1.2 N.m conforming to IEC 60947-1
Shape of screw head	Cross compatible with pozidriv No 1 screwdriver Slotted compatible with flat $\varnothing 4 \text{ mm}$ screwdriver Slotted compatible with flat $\varnothing 5.5 \text{ mm}$ screwdriver
Contacts material	Silver alloy (Ag/Ni)
Short-circuit protection	6 A cartridge fuse type gG conforming to IEC 60947-5-1
[I <sub>th</sub> ] conventional free air thermal current	6 A conforming to IEC 60947-5-1
[U <sub>i</sub> ] rated insulation voltage	300 V (pollution degree 3) conforming to IEC 60947-1
[U <sub>imp</sub> ] rated impulse withstand voltage	4 kV conforming to IEC 60947-1
[I <sub>e</sub> ] rated operational current	1.5 A at 240 V, AC-15, B300 conforming to IEC 60947-5-1 3 A at 120 V, AC-15, B300 conforming to IEC 60947-5-1 0.11 A at 250 V, DC-13, R300 conforming to IEC 60947-5-1 0.22 A at 125 V, DC-13, R300 conforming to IEC 60947-5-1
Electrical durability	300000 Cycles, AC-15, 2 A at 230 V, operating rate $<3600 \text{ cyc/h}$ , load factor: 0.5 conforming to IEC 60947-5-1 appendix C 300000 Cycles, AC-15, 3 A at 110 V, operating rate $<3600 \text{ cyc/h}$ , load factor: 0.5 conforming to IEC 60947-5-1 appendix C 300000 Cycles, AC-15, 3 A at 24 V, operating rate $<3600 \text{ cyc/h}$ , load factor: 0.5 conforming to IEC 60947-5-1 appendix C 300000 Cycles, DC-13, 0.3 A at 120 V, operating rate $<3600 \text{ cyc/h}$ , load factor: 0.5 conforming to IEC 60947-5-1 appendix C 300000 cycles, DC-13, 1 A at 24 V, operating rate $<3600 \text{ cyc/h}$ , load factor: 0.5 conforming to IEC 60947-5-1 appendix C

The information provided in this documentation contains general descriptions and/or technical characteristics of the performance of the products contained herein. This documentation is not intended as a substitute for and is not to be used for determining suitability or reliability of these products for specific user applications. It is the duty of any such user or integrator to perform the appropriate and complete risk analysis, evaluation and testing of the products with respect to the relevant specific application or use thereof. Neither Schneider Electric Industries SAS nor any of its affiliates or subsidiaries shall be responsible or liable for misuse of the information contained herein.

Electrical reliability	$\Lambda < 10\text{exp}(-7)$ at 5 V and 1 mA in clean environment conforming to IEC 60947-5-4 $\Lambda < 10\text{exp}(-8)$ at 17 V and 3.4 mA in clean environment conforming to IEC 60947-5-4
Mounting of block	Front mounting
Device presentation	Basic element



## Environment

Protective treatment	TH
Ambient air temperature for storage	-40...70 °C
Ambient air temperature for operation	-40...70 °C
Standards	IEC 60947-1 IEC 60947-5-1 IEC 60947-5-4 UL 60947-5-1 CSA C22.2 No 60947-5-1 JIS C8201-1 JIS C8201-5-1 GB/T 14048.5 BS EN 60947-5-1 GOST IEC 60947-5-1
Product certifications	CSA[RETURN]EAC[RETURN]BV[RETURN]DNV[RETURN]CE[RETURN]LR[RETURN]LROS (Lloyds register of shipping)[RETURN]CCC[RETURN]UL listed[RETURN]CB Scheme[RETURN]UKCA
Vibration resistance	5 gn (f= 10...500 Hz) conforming to IEC 60068-2-6 25 mm peak to peak (f= 2...10 Hz) conforming to IEC 60068-2-6
Shock resistance	30 gn (duration = 18 ms) for half sine wave acceleration conforming to IEC 60068-2-27 50 gn (duration = 11 ms) for half sine wave acceleration conforming to IEC 60068-2-27 25 gn (duration = 6 ms) for 1000 shocks on each axis conforming to IEC 60068-2-27

## Packing Units

Unit Type of Package 1	PCE
Number of Units in Package 1	1
Package 1 Height	1.4 cm
Package 1 Width	3.3 cm
Package 1 Length	4.2 cm
Package 1 Weight	13 g
Unit Type of Package 2	BB1
Number of Units in Package 2	5
Package 2 Height	4.3 cm
Package 2 Width	5.3 cm
Package 2 Length	5.8 cm
Package 2 Weight	71 g
Unit Type of Package 3	S01
Number of Units in Package 3	210
Package 3 Height	15 cm
Package 3 Width	15 cm
Package 3 Length	40 cm
Package 3 Weight	3.348 kg

## Offer Sustainability

REACH Regulation	 <a href="#">REACH Declaration</a>
REACH free of SVHC	Yes
EU RoHS Directive	Compliant  <a href="#">EU RoHS Declaration</a>
Toxic heavy metal free	Yes
Mercury free	Yes

---

China RoHS Regulation	<a href="#">China RoHS Declaration</a>
RoHS exemption information	<a href="#">Yes</a>

---

### Contractual warranty

---

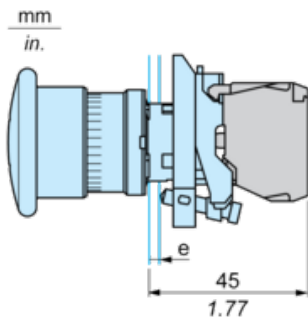
Warranty	18 months
----------	-----------

---

---

Dimensions

---



e : clamping thickness: 1 to 6 mm / 0.04 to 0.24 in.