



## Main

|                                 |                                |
|---------------------------------|--------------------------------|
| Range of product                | Harmony                        |
| Product or component type       | Illuminated marked legend ring |
| Sale per indivisible quantity   | 1                              |
| Shape of signaling unit head    | Round                          |
| Cap/operator or lens colour     | Red                            |
| Operator additional information | With illuminated ring          |
| Light source                    | Protected LED                  |
| Bulb base                       | Integral LED                   |
| Light source colour             | Red                            |
| [Us] rated supply voltage       | 110...120 V AC at 50/60 Hz     |
| Device presentation             | Intermediate ring              |

## Complementary

|                                       |  |
|---------------------------------------|--|
| Accessory / separate part destination | Emergency stop mushroom head push-button             |
| Material                              | Plastic  |
| Marking                               | Black NOT-HALT on yellow background                  |
| Label dimensions                      | Ø 60 mm  |
| User language                         | German   |
| Height                                | 60 mm  |
| Width                                 | 9.3 mm   |
| Net weight                            | 0.016 kg   |
| Electrical insulation class           | Class II conforming to IEC 61140                     |
| Resistance to high pressure washer    | 7000000 Pa at 55 °C, distance : 0.1 m                |
| [Ui] rated insulation voltage         | 120 V (pollution degree 3) conforming to IEC 60947-1 |
| Signalling type                       | Steady   |
| Supply voltage limits                 | 100...132 V AC                                       |
| Current consumption                   | 14 mA  |
| Service life                          | 100000 h at rated voltage and 25 °C                  |
| Surge withstand                       | 1 kV conforming to IEC 61000-4-5                     |
| Compatibility code                    | XB4<br>XB5   |

The information provided in this documentation contains general descriptions and/or technical characteristics of the performance of the products contained herein. This documentation is not intended as a substitute for and is not to be used for determining suitability or reliability of these products for specific user applications. It is the duty of any such user or integrator to perform the appropriate and complete risk analysis, evaluation and testing of the products with respect to the relevant specific application or use thereof. Neither Schneider Electric Industries SAS nor any of its affiliates or subsidiaries shall be responsible or liable for misuse of the information contained herein.

## Environment

|                                       |   |
|---------------------------------------|---|
| Protective treatment                  | TH  |
| Ambient air temperature for storage   | -40...70 °C   |
| Ambient air temperature for operation | -40...70 °C   |
| IP degree of protection               | IP66 conforming to IEC 60529<br>IP67 conforming to IEC 60529<br>IP69 conforming to IEC 60529<br>IP69K conforming to ISO 20653<br>Type 13 conforming to UL 50E<br>Type 12 conforming to UL 50E<br>Type 4 conforming to UL 50E<br>Type 4X conforming to UL 50E        |
| IK degree of protection               | IK05 conforming to IEC 62262  |
| Standards                             | CSA C22.2 No 14<br>IEC 60947-5-1<br>IEC 60947-5-4<br>UL 508<br>IEC 60947-1<br>JIS C8201-5-1<br>JIS C8201-1  |
| Product certifications                | UL listed[RETURN]CSA  |
| Vibration resistance                  | 5 gn (f= 10...500 Hz) conforming to IEC 60068-2-6<br>25 mm peak to peak (f= 2...10 Hz) conforming to IEC 60068-2-6  |
| Shock resistance                      | 30 gn (duration = 18 ms) for half sine wave acceleration conforming to IEC 60068-2-27<br>50 gn (duration = 11 ms) for half sine wave acceleration conforming to IEC 60068-2-27<br>25 gn (duration = 6 ms) for 1000 shocks on each axis conforming to IEC 60068-2-27 |
| Resistance to fast transients         | 2 kV conforming to IEC 61000-4-4  |
| Resistance to electromagnetic fields  | 10 V/m conforming to IEC 61000-4-3  |
| Resistance to electrostatic discharge | 4 KV on contact (on metal parts) conforming to IEC 61000-4-2<br>8 KV in free air (in insulating parts) conforming to IEC 61000-4-2  |
| Electromagnetic emission              | Class B conforming to IEC 55011   |

## Packing Units

|                              |          |
|------------------------------|----------|
| Unit Type of Package 1       | PCE      |
| Number of Units in Package 1 | 1        |
| Package 1 Height             | 1.59 cm  |
| Package 1 Width              | 6 cm     |
| Package 1 Length             | 6 cm     |
| Package 1 Weight             | 15.9 g   |
| Unit Type of Package 2       | S01      |
| Number of Units in Package 2 | 50       |
| Package 2 Height             | 15 cm    |
| Package 2 Width              | 15 cm    |
| Package 2 Length             | 40 cm    |
| Package 2 Weight             | 995 g    |
| Unit Type of Package 3       | P06      |
| Number of Units in Package 3 | 1600     |
| Package 3 Height             | 70 cm    |
| Package 3 Width              | 60 cm    |
| Package 3 Length             | 80 cm    |
| Package 3 Weight             | 33.94 kg |

## Offer Sustainability

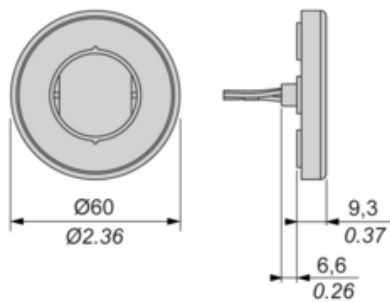
|                            |  |
|----------------------------|--|
| Sustainable offer status   | Green Premium product                                      |
| REACH Regulation           | <a href="#">REACH Declaration</a>                          |
| EU RoHS Directive          | Pro-active compliance (Product out of EU RoHS legal scope) |
| Mercury free               | Yes  |
| China RoHS Regulation      | <a href="#">China RoHS Declaration</a>                     |
| RoHS exemption information | <a href="#">Yes</a>  |

## Contractual warranty

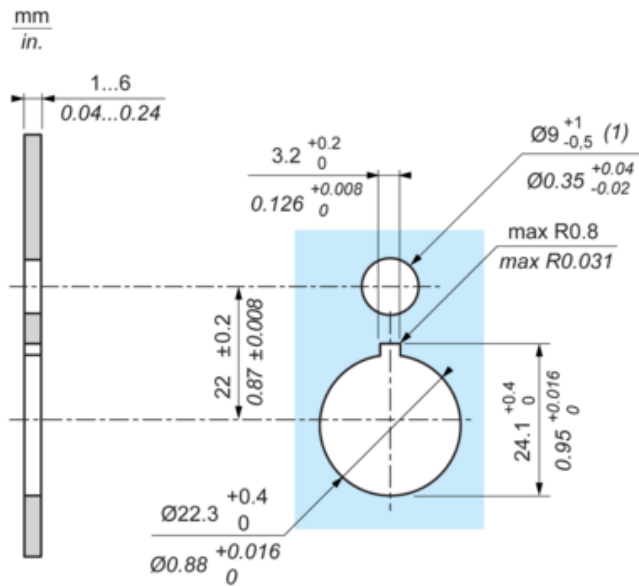
|          |           |
|----------|-----------|
| Warranty | 18 months |
|----------|-----------|

Dimensions

mm  
in.

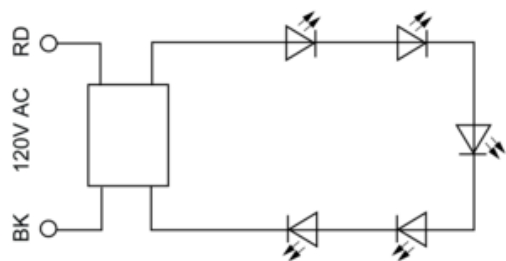


Mounting and Clearance



(1) : For IP X9 applications, the max recommendation dimension of hole is Ø9 mm/Ø0.35 in.

## Wiring Diagram



RD : Red  
BK : Black