



## Main

Range of product	Modicon X80
Product or component type	Discrete input module
Discrete input number	16
Discrete input type	Isolated
Input type	Current sink (logic positive)
Discrete input voltage	24 V DC, discrete input logic: positive
Discrete input current	3.5 mA

## Complementary

Input compatibility	With 2-wire/3-wire proximity sensors conforming to IEC 60947-5-2 With 2-wire/3-wire proximity sensors conforming to IEC 61131-2 type 3
Sensor power supply	19...30 V
Current state 1 guaranteed	$\geq 2$ mA
Current state 0 guaranteed	$\leq 1.5$ mA
Input impedance	6800 Ohm
Insulation resistance	$> 10$ MOhm 500 V DC
Power dissipation in W	2.5 W
DC typical response time	4 ms
DC maximum response time	7 ms
Paralleling of inputs	Yes
Typical current consumption	76 mA at 3.3 V DC
MTBF reliability	738749 H
Protection type	1 external fuse per group of channel 0.5 A fast blow Reverse polarity protection
Voltage detection threshold	$< 14$ V DC sensor fault $> 18$ V DC sensor OK
Status LED	1 LED (green) module operating (RUN) 1 LED per channel (green) channel diagnostic 1 LED (red) module error (ERR) 1 LED (red) module I/O
Net weight	0.115 kg

## Environment

IP degree of protection	IP20
Directives	2014/35/EU - low voltage directive 2014/30/EU - electromagnetic compatibility
Environmental characteristic	Fungal spore resistant class 3B2
Dielectric strength	1500 V AC at 50/60 Hz 1 minute, primary/secondary
Vibration resistance	3 gn
Shock resistance	30 gn
Ambient air temperature for storage	-40...85 °C
Ambient air temperature for operation	0...60 °C
Relative humidity	5...95 % at 55 °C without condensation
Operating altitude	0...2000 m 2000...5000 m with derating factor

## Packing Units

Package 1 Weight	0.156 kg
Package 1 Height	55.000 mm
Package 1 width	110.000 mm
Package 1 Length	120.000 mm

## Offer Sustainability

Sustainable offer status	Green Premium product
REACH Regulation	<a href="#">REACH Declaration</a>
REACH free of SVHC	Yes
EU RoHS Directive	Pro-active compliance (Product out of EU RoHS legal scope) <a href="#">EU RoHS Declaration</a>
Mercury free	Yes
RoHS exemption information	<a href="#">Yes</a>
China RoHS Regulation	<a href="#">China RoHS Declaration</a>
Environmental Disclosure	<a href="#">Product Environmental Profile</a>
Circularity Profile	<a href="#">End Of Life Information</a>
WEEE	The product must be disposed on European Union markets following specific waste collection and never end up in rubbish bins

## Contractual warranty

Warranty	18 months
----------	-----------

Modules Mounted on Racks

Dimensions

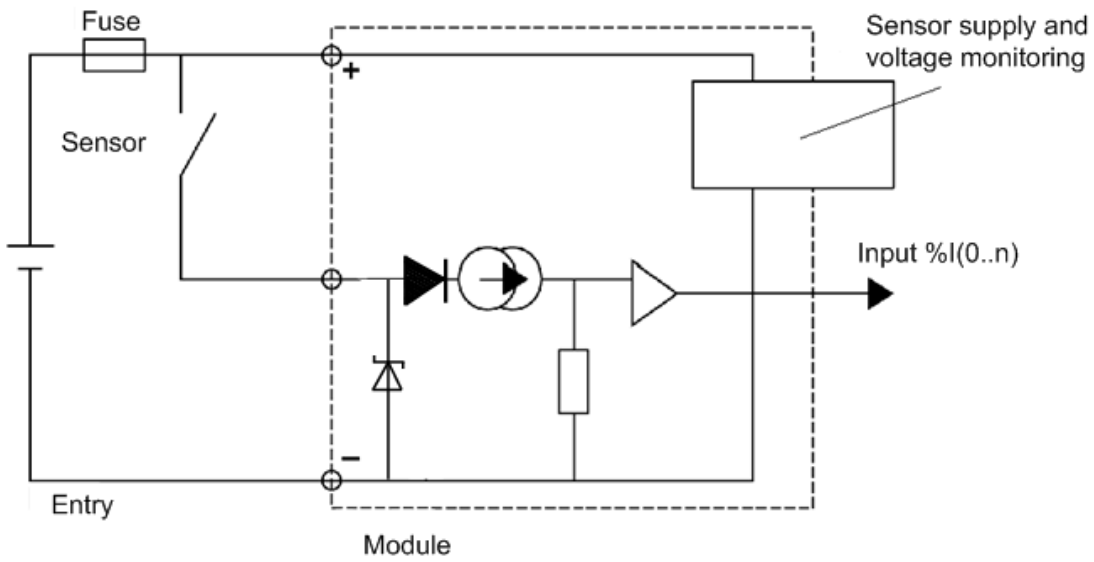


- (1) With removable terminal block (cage, screw or spring).
- (2) With FCN connector.
- (3) On AM1 ED rail: 35 mm wide, 15 mm deep. Only possible with BMXXBP0400/0400H/0600/0600H/0800/0800H rack.

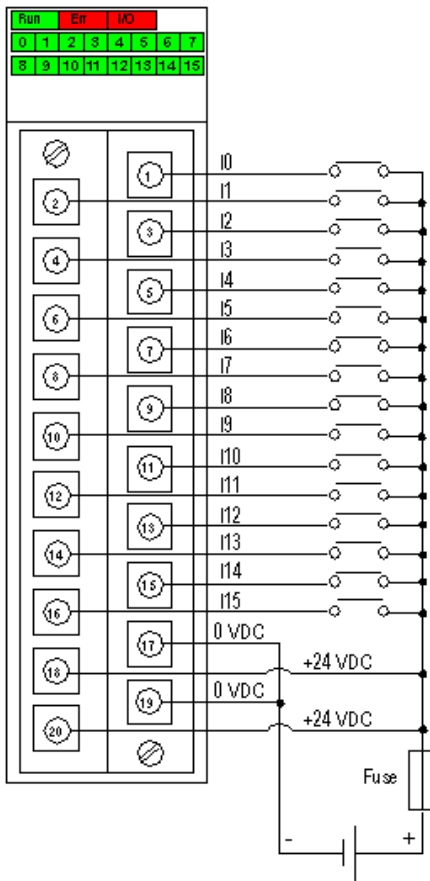
Rack references	a in mm	a in in.
BMXXBP0400 and BMXXBP0400H	242.4	09.54
BMXXBP0600 and BMXXBP0600H	307.6	12.11
BMXXBP0800 and BMXXBP0800H	372.8	14.68
BMXXBP1200 and BMXXBP1200H	503.2	19.81

Connecting the Module

Input Circuit Diagram



## Module Connection



power 24 VDC  
 supply  
 fuse fast blow fuse of 0.5 A