



Main

| | |
|------------------------------|----------------------------|
| Range of product | Modicon TM5 |
| Product or component type | Power distribution module |
| Product specific application | Supply 24 V DC I/O modules |

Complementary

| | |
|--------------------------------|---------------------------------------|
| Range compatibility | Modicon M258 Modicon LMC058 |
| Product compatibility | Logic controller Motion controller |
| [Us] rated supply voltage | 24 V |
| Network type | DC |
| Current supplied | 10 A for I/O power segment |
| Maximum power dissipation in W | 0.8 W |
| Colour | Grey |
| Short-circuit protection | 10 A external fuse |
| Current consumption | <= 25 mA 24 V DC |
| Marking | CE |

Environment

| | |
|---------------------------------------|--|
| Standards | CSA C22.2 No 142 CSA C22.2 No 213 UL 508 IEC 61131-2 |
| Product certifications | GOST-R C-Tick CULus CSA |
| Ambient air temperature for operation | -10...55 °C without derating (horizontal installation) 55...60 °C with derating factor (horizontal installation) -10...50 °C (vertical installation) |
| Ambient air temperature for storage | -25...70 °C |
| Relative humidity | 5...95 % without condensation |
| Operating altitude | 0...2000 m |
| Storage altitude | 0...3000 m |
| Vibration resistance | 1 gn at 8.4...150 Hz on DIN rail 3.5 mm at 5...8.4 Hz on DIN rail |
| Shock resistance | 15 gn for 11 ms |
| Resistance to electrostatic discharge | 4 kV on contact conforming to EN/IEC 61000-4-2 8 kV in air conforming to EN/IEC 61000-4-2 |
| Resistance to electromagnetic fields | 1 V/m 2...2.7 GHz conforming to EN/IEC 61000-4-3 10 V/m 80...2000 MHz conforming to EN/IEC 61000-4-3 |

| | |
|--------------------------------|--|
| Resistance to fast transients | 1 KV (I/O) conforming to EN/IEC 61000-4-4 1 KV (shielded cable) conforming to EN/IEC 61000-4-4 2 kV (power lines) conforming to EN/IEC 61000-4-4 |
| Surge withstand | 0.5 KV differential mode conforming to EN/IEC 61000-4-5 1 kV common mode conforming to EN/IEC 61000-4-5 |
| Electromagnetic compatibility | EN/IEC 61000-4-6 |
| Disturbance radiated/conducted | CISPR 11 |

Packing Units

| | |
|------------------------------|---------|
| Unit Type of Package 1 | PCE |
| Number of Units in Package 1 | 1 |
| Package 1 Weight | 36 g |
| Package 1 Height | 1.9 cm |
| Package 1 width | 5.9 cm |
| Package 1 Length | 10.4 cm |

Offer Sustainability

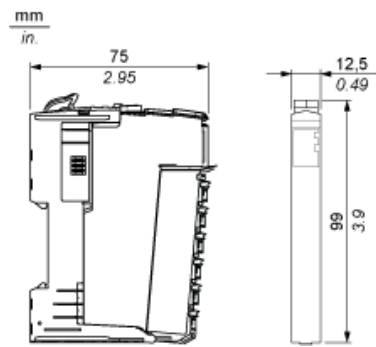
| | |
|----------------------------|---|
| Sustainable offer status | Green Premium product |
| REACH Regulation | REACH Declaration |
| REACH free of SVHC | Yes |
| EU RoHS Directive | Pro-active compliance (Product out of EU RoHS legal scope) EU RoHS Declaration |
| Toxic heavy metal free | Yes |
| Mercury free | Yes |
| RoHS exemption information | Yes |
| China RoHS Regulation | China RoHS Declaration |
| Environmental Disclosure | Product Environmental Profile |
| Circularity Profile | End Of Life Information |
| WEEE | The product must be disposed on European Union markets following specific waste collection and never end up in rubbish bins |
| PVC free | Yes |

Contractual warranty

| | |
|----------|-----------|
| Warranty | 18 months |
|----------|-----------|

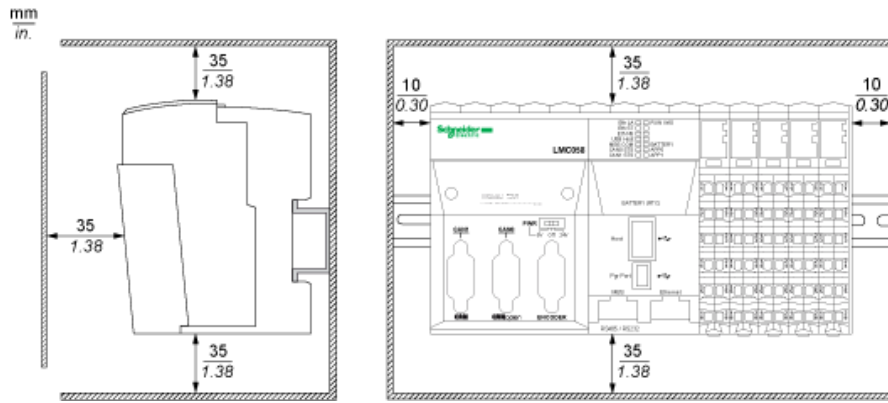
TM5 Slice

Dimensions

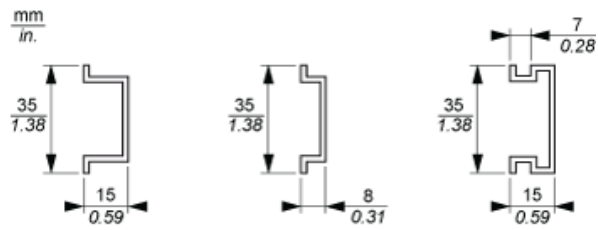


TM5 System

Spacing Requirements







Mounting on a DIN Rail



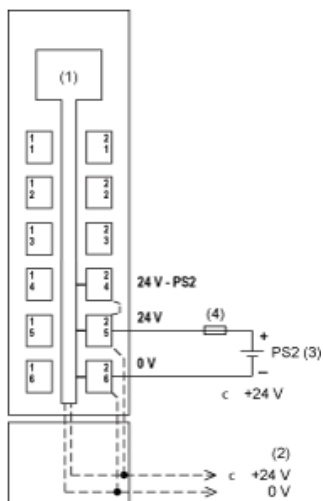
TM5 System Wiring Recommendations

Wire Sizes to Use with the Removable Spring Terminal Blocks

| mm in. |  |  |  |  |
|-----------------|---|---|---|---|
| mm ² | 0,08...2,5 | 0,25...2,5 | 0,25...1,5 | 2 x 0,25...2 x 0,75 |
| AWG | 28...14 | 24...14 | 24...16 | 2 x 24...2 x 18 |

PDM Electronic Module 24 Vdc I/O

Wiring Diagram



- (1) Internal electronics
- (2) 24 Vdc I/O power segment integrated into the bus bases
- (3) PS2: External isolated SELV power supply 24 Vdc limited to 200 VA for UL508 conformance, or limited to 150 VA for CSA 22.2, N° 142
- (4) External fuse type T slow-blow 10 A max. 250 V