

Main

Range of product	Canalis
Product name	KS
Product or component type	Elbow
Busbar description	Standard on made to measure
Bar material	Aluminium
Device application	Change direction
[Ie] rated operational current	800 A at 35 °C
Direction change type	Direction 1: flat to upward -

Complementary

[Ue] rated operational voltage	230...690 V
Network frequency	50/60 Hz
Operating angle	90...180 °
Mounting location	On trunking
Mounting position	Any position
Electrical connection	Lubricated sliding contact
Mounting mode	By screws
Width	146 mm
Depth	111 mm
Height	290...785 mm
Net weight	14.4 kg






Environment

Standards	IEC 60439-2 IEC 61439-6
-----------	----------------------------

Packing Units

Package 1 Weight	19.500 kg
Package 1 Height	1.200 dm
Package 1 width	8.660 dm
Package 1 Length	8.660 dm

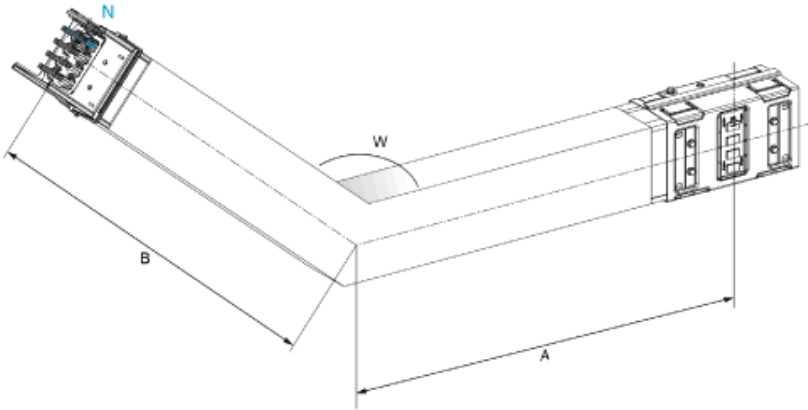
Offer Sustainability

Sustainable offer status	Green Premium product
REACH Regulation	 REACH Declaration
REACH free of SVHC	Yes
EU RoHS Directive	Compliant  EU RoHS Declaration
Toxic heavy metal free	Yes
Mercury free	Yes
RoHS exemption information	 Yes
China RoHS Regulation	 China RoHS Declaration
Environmental Disclosure	 Product Environmental Profile

WEEE	The product must be disposed on European Union markets following specific waste collection and never end up in rubbish bins
Halogen content performance	Halogen free product

Contractual warranty

Warranty	18 months
----------	-----------



Dimensions		KSA1000DLE4B
A (mm)	290 to 785	
B (mm)	290 to 785	
C (mm)	-	
D (mm)	-	
Fire barrier	No	
Fire barrier position	-	