



Main

Accessory / separate part category	Cabling accessory
Accessory / separate part type	Jumper cable

Complementary

Jumper cable end 1	M12 male 3 pins straight connector with screw-on
Jumper cable end 2	Ø 8 mm female 3 pins elbowed connector with clip-on
Cable composition	3 x 0.34 mm ²
Cable length	2 m
Wire insulation material	PUR
Cable outer diameter	5.2 mm
[Ue] rated operational voltage	60 V AC 75 V DC
[In] rated current	4 A
Insulation resistance	>= 1000 MOhm
Maximum resistance across terminals	5000 mOhm
Net weight	0.08 kg

Environment

IP degree of protection	IP67
Product certifications	CULus
Ambient air temperature for operation	-35...90 °C static -5...90 °C flexing
Ambient air temperature for storage	-35...100 °C

Packing Units

Unit Type of Package 1	PCE
Number of Units in Package 1	1
Package 1 Weight	70 g
Package 1 Height	3 cm
Package 1 width	20 cm
Package 1 Length	20 cm
Unit Type of Package 2	S02
Number of Units in Package 2	40
Package 2 Weight	3.17 kg
Package 2 Height	15 cm
Package 2 width	30 cm
Package 2 Length	40 cm

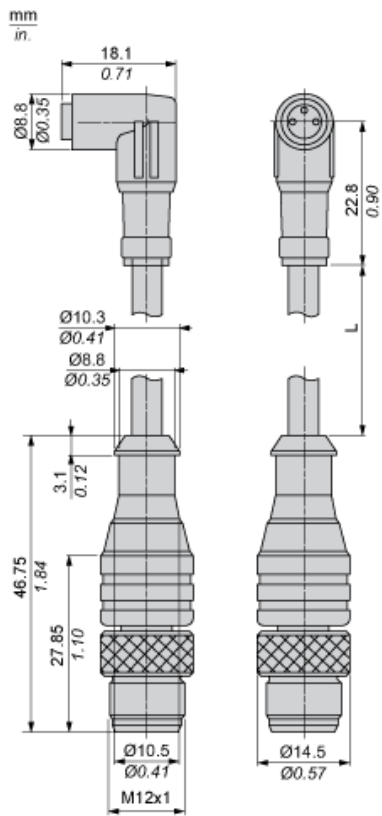
Offer Sustainability

Sustainable offer status	Green Premium product
REACH Regulation	REACH Declaration
EU RoHS Directive	Pro-active compliance (Product out of EU RoHS legal scope) EU RoHS Declaration
Mercury free	Yes
RoHS exemption information	Yes
Environmental Disclosure	Product Environmental Profile
Circularity Profile	End Of Life Information

Contractual warranty

Warranty	18 months
----------	-----------

Dimensions



L : Length of cable

Connections and Schemes

