



Main

| | |
|---------------------------------|-----------------------|
| Range of product | Harmony XB4 |
| Product or component type | Head for pilot light |
| Product compatibility | Integral LED |
| Device short name | ZB4F |
| Bezel material | Chromium plated metal |
| Mounting diameter | 30.5 mm |
| Sale per indivisible quantity | 1 |
| Head type | Built-in-flush |
| Shape of signaling unit head | Round |
| Cap/operator or lens colour | Yellow |
| Operator additional information | With plain lens |

Complementary

| | |
|------------------------------------|--|
| CAD overall width | 36.6 mm |
| CAD overall height | 36.6 mm |
| CAD overall depth | 31 mm |
| Net weight | 0.058 kg |
| Resistance to high pressure washer | 7000000 Pa at 55 °C, distance : 0.1 m |
| Electrical composition code | P1 in front mounting with integral LED P2 in front mounting with integral LED and transformer |
| Device presentation | Basic element |

Environment

| | |
|---------------------------------------|--|
| Protective treatment | TH |
| Ambient air temperature for storage | -40...70 °C |
| Ambient air temperature for operation | -40...70 °C |
| Overvoltage category | Class I conforming to IEC 60536 |
| IP degree of protection | IP66 conforming to IEC 60529 IP67 conforming to IEC 60529 IP69 conforming to IEC 60529 IP69K conforming to ISO 20653 Type 13 conforming to UL 50 E Type 12 conforming to UL 50 E Type 4 conforming to UL 50 E Type 4X conforming to UL 50 E |
| IK degree of protection | IK06 conforming to IEC 50102 |
| Standards | EN/IEC 60947-5-4 EN/IEC 60947-5-1 UL 508 CSA C22.2 No 14 EN/IEC 60947-1 JIS C8201-5-1 CE JIS C8201-1 |
| Product certifications | UL listed CSA CCC EAC |

| | |
|----------------------|---|
| Vibration resistance | 5 gn (f= 10...500 Hz) conforming to IEC 60068-2-6 2 mm peak to peak (f= 2...10 Hz) conforming to IEC 60068-2-6 |
| Shock resistance | 30 gn (duration = 18 ms) for half sine wave acceleration conforming to IEC 60068-2-27 50 gn (duration = 11 ms) for half sine wave acceleration conforming to IEC 60068-2-27 25 gn (duration = 6 ms) for 1000 shocks on each axis conforming to IEC 60068-2-27 |

Packing Units

| | |
|------------------------------|--------|
| Unit Type of Package 1 | PCE |
| Number of Units in Package 1 | 1 |
| Package 1 Weight | 58 g |
| Package 1 Height | 4.5 cm |
| Package 1 width | 5.5 cm |
| Package 1 Length | 5.8 cm |

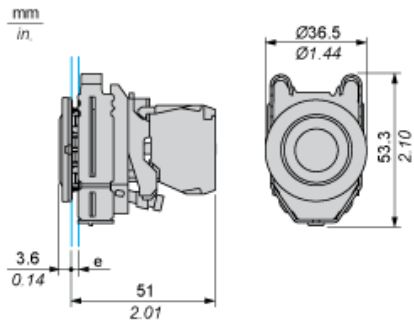
Offer Sustainability

| | |
|----------------------------|--|
| Sustainable offer status | Green Premium product |
| REACH Regulation | REACH Declaration |
| REACH free of SVHC | Yes |
| EU RoHS Directive | Pro-active compliance (Product out of EU RoHS legal scope) EU RoHS Declaration |
| Toxic heavy metal free | Yes |
| Mercury free | Yes |
| RoHS exemption information | Yes |
| China RoHS Regulation | China RoHS Declaration |
| Environmental Disclosure | Product Environmental Profile |
| Circularity Profile | End Of Life Information |

Contractual warranty

| | |
|----------|-----------|
| Warranty | 18 months |
|----------|-----------|

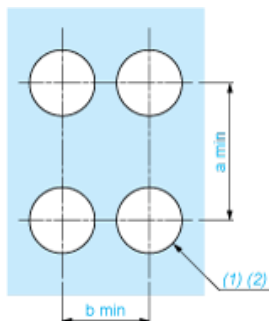
Dimensions



e : clamping thickness: 1 to 6 mm / 0.04 to 0.24 in.

Panel Cut-out for Pushbuttons, Switches and Pilot Lights (Finished Holes, Ready for Installation)

Connection by Screw Clamp Terminals or Plug-in Connectors



(1) : Diameter on finished panel or support

(2) : Ø30.75 mm recommended ($\text{Ø}30.5_0^{+0.5}$) / Ø1.21 in. recommended ($\text{Ø}1.20 \text{ in.}_0^{+0.0196}$)

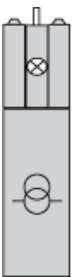
| Connections | a in mm | a in in. | b in mm | b in in. |
|---|---------|----------|---------|----------|
| By connectors | 50 | 1.97 | 40 | 1.57 |
| By connectors and with legend holder ZBZF32 | 50 | 1.97 | 40 | 1.57 |
| By connectors and with legend holder ZBZF33 | 60 | 2.36 | 40 | 1.57 |

Electrical Composition Corresponding to Codes P1, P3, PF1, PR1 and PF2

Light block



Electrical Composition Corresponding to Codes M6 and P2



Legend

Single contact



Double contact



Light block



Possible location

