



Main

Range of product	Harmony XB5
Product or component type	Flush mounting kit
Accessory / separate part category	Mounting and fixing accessory
Product compatibility	ZB5AW ZB5AD ZB5AJ ZB5AH..3 ZB5RZA0 ZB5AD.9 ZB5AD.8 ZB5AK ZB5RTA ZB5AA.6
Accessory / separate part destination	Selector switch with high bezel Illuminated push-button with high bezel

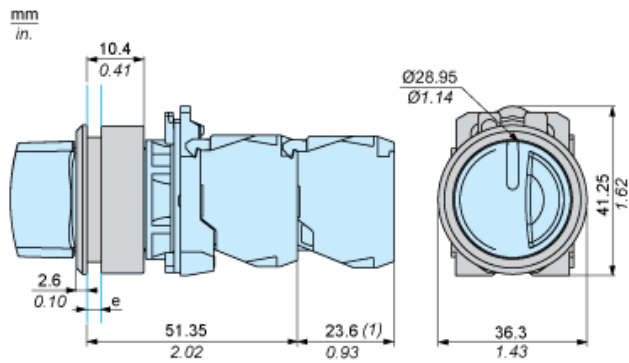
Complementary

Colour	Black
IP degree of protection	IP66 (front face) conforming to IEC 60529 IP69 (front face) conforming to IEC 60529 IP69K (front face) conforming to DIN 40050-9
IK degree of protection	IK03 conforming to IEC 50102
Mounting diameter	30.5 mm
Quantity per set	Set of 1

Packing Units

Unit Type of Package 1	PCE
Number of Units in Package 1	1
Package 1 Weight	17 g
Package 1 Height	4.3 cm
Package 1 width	5.2 cm
Package 1 Length	5.5 cm
Unit Type of Package 2	S02
Number of Units in Package 2	80
Package 2 Weight	1.748 kg
Package 2 Height	15 cm
Package 2 width	30 cm
Package 2 Length	40 cm

Dimensions with Flush Mounting Kit



- e : Clamping thickness : 1 to 3.5 mm / 0.04 to 0.14 in.
- (1) Additional row of contacts or double contact

Panel Cut-Out and Mounting

Panel Cut Dimensions

