

Main

Range of product	Harmony XB5
Accessory / separate part category	Mounting and fixing accessory
Product compatibility	ZB5FD ZB5FG ZB5FJ ZB5FK
Accessory / separate part destination	Selector switch



Complementary

Colour	Metal
Device application	Industrial machines
Quantity per set	Set of 10

Packing Units

Unit Type of Package 1	PCE
Number of Units in Package 1	1
Package 1 Weight	6 g
Package 1 Height	7 cm
Package 1 width	7 cm
Package 1 Length	8.8 cm
Unit Type of Package 2	BB1
Number of Units in Package 2	10
Package 2 Weight	74 g
Package 2 Height	8.7 cm
Package 2 width	7 cm
Package 2 Length	7 cm
Unit Type of Package 3	S02
Number of Units in Package 3	150
Package 3 Weight	1.433 kg
Package 3 Height	15 cm
Package 3 width	30 cm
Package 3 Length	40 cm

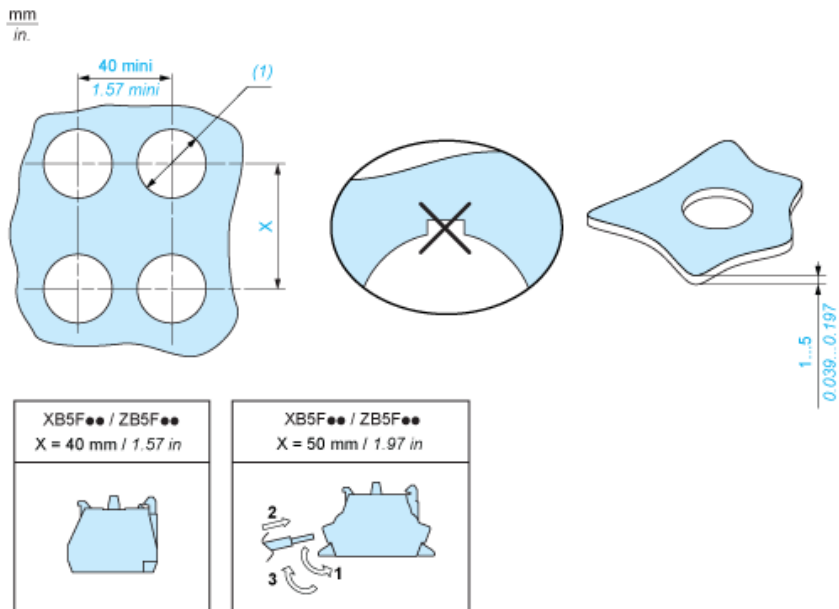
Offer Sustainability

Sustainable offer status	Green Premium product
REACH Regulation	 REACH Declaration
REACH free of SVHC	Yes
EU RoHS Directive	Pro-active compliance (Product out of EU RoHS legal scope)  EU RoHS Declaration
Toxic heavy metal free	Yes
Mercury free	Yes

RoHS exemption information	Yes
China RoHS Regulation	China RoHS Declaration
Environmental Disclosure	Product Environmental Profile
Circularity Profile	End Of Life Information

Panel Cut-out for Pushbuttons, Switches and Pilot Lights (Finished Holes, Ready for Installation)

For use on flat surface of a type 4, type 4X, type 12, and type 13



(1) $\varnothing 30.75$ mm recommended ($\varnothing 30.5$ mm $_{0}^{+0.5}$) / $\varnothing 1.21$ in. recommended ($\varnothing 1.20$ in. $_{0}^{+0.019}$)