

XB4RFA02

Harmony XB4, Wireless push button and configurable receiver with 10 colored caps, metal, Ø22, 24...240 V AC/DC



Main

Range of product	Harmony XB4R
Product or component type	Wireless and batteryless package
Device short name	XB4R
Head material	Metal
Frequency	2405 MHz for transmitter 2405 MHz for receiver
Emission class	5M00G7W
Antenna type	Omnidirectional

Complementary

Control type	Wireless and batteryless push-button Ø 22 mm assembled on fixing collar
Type of receiver	Programmable receiver (2 relays)
[Us] rated supply voltage	24...240 V AC/DC 50/60 Hz
Kit composition	1 diameter: 22 mm 1 push-button head diameter: 22 mm 1 receiver 1 set of caps 1 fixing collars 1 transmitter
Status LED	1 LED green for power ON 2 LEDs green for relay ON 2 LEDs green for function mode 1 LED green and yellow for reception signal
Communication port protocol	Zigbee conforming to IEEE 802.15.4
Max power consumption in W	1 mW
Number of channels	1
Modulation technique	O-QPSK
Bandwidth	5 MHz
Antenna gain	0 dBi
Customizable	No
Compatibility code	XB4R
[Us] rated supply voltage	24...240 V

The information provided in this documentation contains general descriptions and/or technical characteristics of the performance of the products contained herein. This documentation is not intended as a substitute for and is not to be used for determining suitability or reliability of these products for specific user applications. It is the duty of any such user or integrator to perform the appropriate and complete risk analysis, evaluation and testing of the products with respect to the relevant specific application or use thereof. Neither Schneider Electric Industries SAS nor any of its affiliates or subsidiaries shall be responsible or liable for misuse of the information contained herein.

Environment

Product certifications	GOST CCC CSA UL C-Tick
Marking	CE
Standards	EN/IEC 60947-1 EN/IEC 60947-5-1 CSA C22.2 No 14 UL 508
Radio agreement	ANATEL FCC RSS ARIB T66 ICASA SRRC

Packing Units

Package 1 Weight	0.266 kg
Package 1 Height	0.920 dm
Package 1 width	1.050 dm
Package 1 Length	1.100 dm

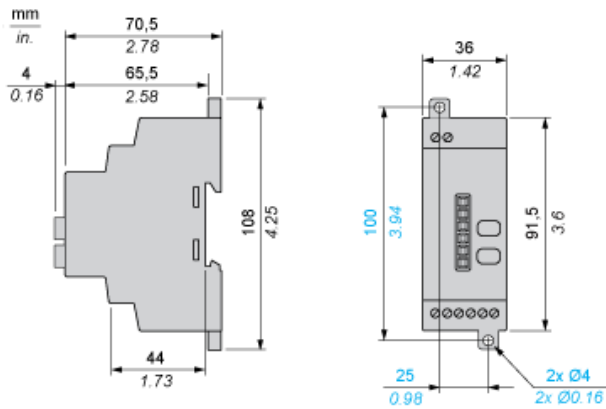
Offer Sustainability

REACH Regulation	REACH Declaration
EU RoHS Directive	Pro-active compliance (Product out of EU RoHS legal scope) EU RoHS Declaration
Mercury free	Yes
RoHS exemption information	Yes
China RoHS Regulation	China RoHS Declaration
WEEE	The product must be disposed on European Union markets following specific waste collection and never end up in rubbish bins

Contractual warranty

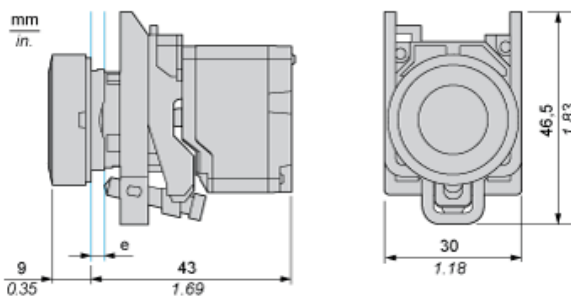
Warranty	18 months
----------	-----------

Programmable Receiver



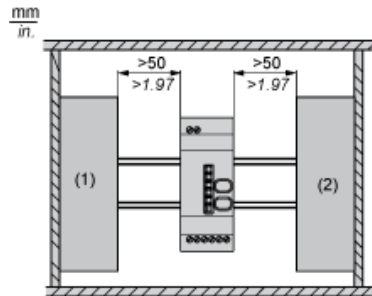
Wireless and Batteryless Pushbutton - Transmitter

With Metal Pushbutton without Cap



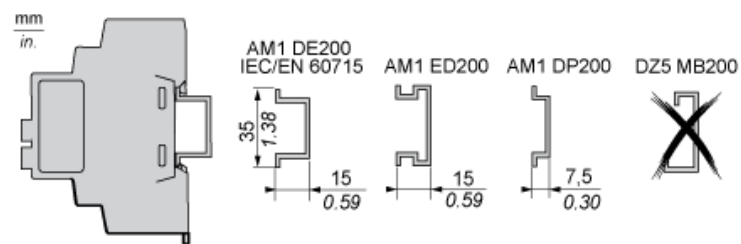
e: panel thickness 1 to 6 mm / 0.039 to 0.24 in.

Receiver Clearance



- (1) Drive
- (2) Power Supply or PLC

Receiver Mounting



Programmable Receiver

