



### Main

Range of product	Harmony XAC
Product or component type	Pendant control station
Device short name	XACD

### Complementary

Control station type	Double insulated
Enclosure material	Polypropylene
Control type	Intuitive
Electrical circuit type	Power circuit
Enclosure type	Complete ready for use
Control station application	Control of 2-speed hoist motor
Motor starter type	Reversing
Control station composition	1 2-directional button + 1 emergency stop
Control button type	Emergency stop push-button Ø 30 mm 3 NC trigger action First direction button 2-pole raise, slow-fast Second direction button 2-pole lower, slow-fast
Product compatibility	XEDS2231 for reversing operation XENT1991 for emergency stop
Mechanical interlocking	With mechanical interlocking
Control station colour	Yellow
Connections - terminals	Screw clamp terminals, 1 x 2.5 mm <sup>2</sup> with or without cable end Screw clamp terminals, 2 x 1.5 mm <sup>2</sup> with or without cable end
Standards	EN/IEC 60204-32 UL 508 EN/IEC 60947-5-1 EN/ISO 13850: 2006 CSA C22.2 No 14 EN/IEC 60947-5-5
Protective treatment	TH
Ambient air temperature for operation	-25...70 °C
Ambient air temperature for storage	-40...70 °C
Vibration resistance	15 gn (f= 10...500 Hz) conforming to IEC 60068-2-6
Shock resistance	70 gn conforming to IEC 60068-2-27
Overvoltage category	Class II conforming to IEC 61140
IP degree of protection	IP65 conforming to IEC 60529
IK degree of protection	IK08 conforming to EN 50102
Mechanical durability	3000000 cycles
Cable entry	Rubber sleeve with stepped entry 7...18 mm
[Ithe] conventional enclosed thermal current	10 A XENT.... 16 A XEDS....
[Ui] rated insulation voltage	500 V (pollution degree 3) conforming to IEC 60947-1 Emergency stop contact: 400 V (pollution degree 3)

[Uimp] rated impulse withstand voltage	6 KV conforming to IEC 60947-1 4 kV emergency stop contact
Contact operation	Snap action
Operating force	31 N
Short-circuit protection	6 A fuse protection by cartridge fuse type aM
Rated operational power in W	1100 W AC-3 at 400 V conforming to IEC 60947-3 appendix A 1100 W AC-4 at 400 V conforming to IEC 60947-3 appendix A 3000 W AC-23B at 400 V
Electrical durability	1000000 Cycles AC-3, 1100 W at 400 V, operating rate <10 cyc/mn, load factor = 0.4 conforming to IEC 60947-3 appendix A 1000000 cycles AC-4, 1100 W at 400 V, operating rate <10 cyc/mn, load factor = 0.4 conforming to IEC 60947-3 appendix A
Terminals description ISO n°1	(1-2)P (11-12)P (9-10)P (7-8)P (R1-R2)RP (3-4)P (R3-R4)RP (5-6)P
Terminals description ISO n°2	(31-32)NC (11-12)NC (21-22)NC
Terminal identifier	(13-14)NO (11-12)NC
Net weight	0.42 kg

### Packing Units

Package 1 Weight	0.595 kg
Package 1 Height	1.230 dm
Package 1 width	0.900 dm
Package 1 Length	3.150 dm

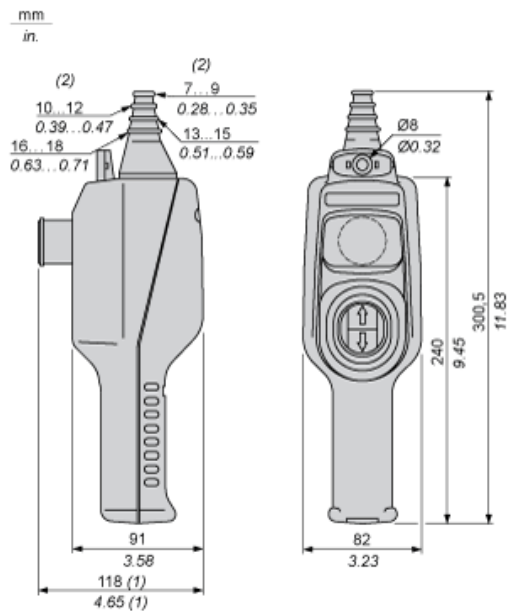
### Offer Sustainability

REACH Regulation	<a href="#">REACH Declaration</a>
EU RoHS Directive	Pro-active compliance (Product out of EU RoHS legal scope) <a href="#">EU RoHS Declaration</a>
Mercury free	Yes
RoHS exemption information	<a href="#">Yes</a>
China RoHS Regulation	<a href="#">China RoHS Declaration</a>
WEEE	The product must be disposed on European Union markets following specific waste collection and never end up in rubbish bins

### Contractual warranty

Warranty	18 months
----------	-----------

Dimensions



- (1) With trigger action latching Ø 30 mm / 1.18 in. Emergency stop.
- (2) Internal Ø