



Main

Range of product	Harmony XB5
Product or component type	Panel mounted USB port
Device short name	XB5P

Complementary

Sale per indivisible quantity	1
Mounting diameter	22 mm
Thickness	6 Mm without protection cover 1.5...5 Mm with protection cover plastic 1.5...5 Mm with protection cover rigid plastic 1.5...2.5 mm with protection cover metal
Bezel material	Plastic
Fixing collar material	Plastic
Integrated connection type	USB 3.0 type A
Minimum number of matings	1500 cycles
IP degree of protection	IP20 front: conforming to IEC 60529 IP20 back: conforming to IEC 60529
Ambient air temperature for operation	-40...70 °C
Ambient air temperature for storage	-40...70 °C
Tightening torque	1.5 N.m
Vibration resistance	5.35 gn15 min per axis
Shock resistance	30 gn 11 ms 3 chocks in each direction X, Y and Z
Standards	USB 3.0
Product certifications	CSA UL listed
Height	28 mm
Width	28 mm
Depth	44 mm
Net weight	0.0169 kg

Packing Units

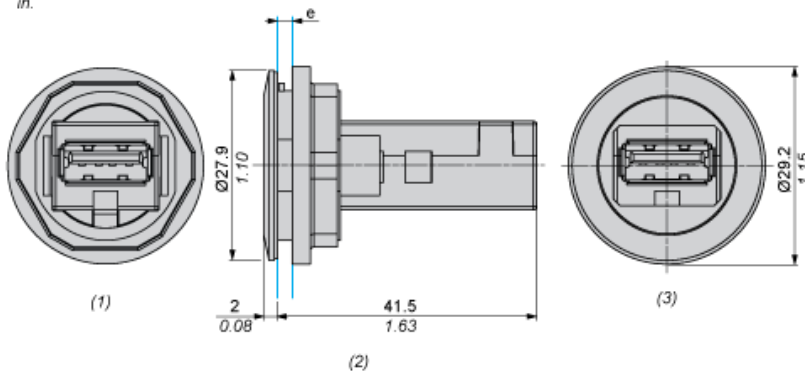
Package 1 Weight	0.017 kg
Package 1 Height	0.300 dm
Package 1 width	0.350 dm
Package 1 Length	0.700 dm

Offer Sustainability

EU RoHS Directive	Pro-active compliance (Product out of EU RoHS legal scope) EU RoHS Declaration
Toxic heavy metal free	Yes
Mercury free	Yes
RoHS exemption information	Yes
China RoHS Regulation	China RoHS Declaration
Environmental Disclosure	Product Environmental Profile
Circularity Profile	End Of Life Information
WEEE	The product must be disposed on European Union markets following specific waste collection and never end up in rubbish bins

Dimensions

mm
in.



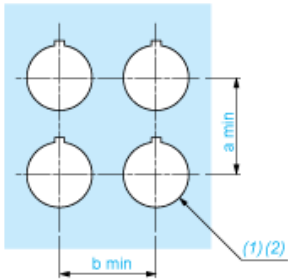
- (1) Rear view
- (2) Side view
- (3) Front view

(e)

Clamping thickness without accessory: 1.5 mm to 5 mm / 0.05 in to 0.19 in
Clamping thickness with ZBSP1 & ZBSP2: 1.5 mm to 5 mm / 0.05 in to 0.19 in
Clamping thickness with ZBSP3: 1.5 mm to 2.5 mm / 0.05 in to 0.10 in

Panel Cut-out for Panel Mounted USB Port

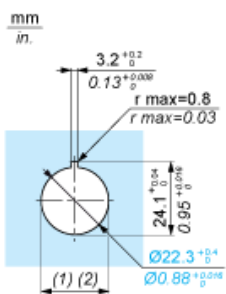
Connection by Screw Clamp Terminals or Plug-in Connectors



- (1) Diameter on finished panel or support
- (2) $\varnothing 22.5$ mm recommended ($\varnothing 22.3$ 0+0.4) / $\varnothing 0.89$ in. recommended ($\varnothing 0.88$ in. 0+0.016)

Connections	a in mm	a in in.	b in mm	b in in.
By screw clamp terminal or plug-in connector	35	1.38	35	1.38

Panel Cut-out



- (1) Diameter on finished panel or support
- (2) $\varnothing 22.5$ mm recommended ($\varnothing 22.3$ 0+0.4) / $\varnothing 0.89$ in. recommended ($\varnothing 0.88$ in. 0+0.016)