

# XMLBM02V2C11

Electromechanical pressure sensor, Pressure sensors XM, vacuum switch XMLB -1 bar, adjustable scale 2 thresholds, 1 C/O



## Main

|   |  |
|---|--|
| Range of product  | OsiSense XM  |
| Product or component type                               | Electromechanical pressure sensor  |
| Pressure sensor type                                    | Electromechanical vacuum sensor  |
| Device short name                                       | XMLB   |
| Pressure rating   | -1 bar   |
| Controlled fluid  | Air (0...70 °C)<br>Fresh water (0...70 °C)<br>Hydraulic oil (0...70 °C)  |
| Fluid connection type                                   | G 1/4 (female) conforming to ISO 228   |
| Electrical connection                                   | 1 male connector EN 175301-803-A (ex DIN43650), 4 pins   |
| Contacts type and composition                           | 1 C/O  |
| Product specific application                            | -  |
| Pressure switch type of operation                       | Regulation between 2 thresholds  |
| Electrical circuit type                                 | Control circuit  |
| Scale type  | Adjustable differential  |
| Local display   | With   |
| Adjustable range of switching point on rising pressure  | -0.87...-0.01 bar  |
| Adjustable range of switching point on falling pressure | -1...-0.14 bar   |
| Possible differential maximum at high setting           | 0.8 bar  |
| Maximum permissible accidental pressure                 | 9 bar  |
| Destruction pressure                                    | 18 bar   |
| Pressure actuator                                       | Diaphragm  |
| Materials in contact with fluid                         | Nitrile<br>304L stainless steel<br>Zinc alloy  |
| Enclosure material                                      | Zinc alloy   |
| [In] rated current                                      | 3 A, B300, AC-15 (Ue = 120 V) conforming to EN/IEC 60947-5-1<br>1.5 A, B300, AC-15 (Ue = 240 V) conforming to EN/IEC 60947-5-1<br>0.1 A, R300, DC-13 (Ue = 250 V) conforming to EN/IEC 60947-5-1 |

## Complementary

|   |                         |
|---|-------------------------|
| Possible differential minimum at low setting  | 0.13 bar (+/- 0.02 bar) |
| Possible differential minimum at high setting | 0.13 bar (+/- 0.02 bar) |
| Maximum permissible pressure - per cycle      | 5 bar                   |
| Terminal block type                           | 4 terminals             |
| Maximum operating rate                        | 120 cyc/mn              |
| Repeat accuracy                               | 2 %                     |

|  |   |
|--|---|
| [Ui] rated insulation voltage          | 300 V conforming to UL 508<br>500 V conforming to EN/IEC 60947-1<br>300 V conforming to CSA C22.2 No 14 |
| [Uimp] rated impulse withstand voltage | EN/IEC 60947-1 6 kV   |
| Auxiliary contacts operation           | Snap action   |
| Contacts material                      | Silver contacts   |
| Maximum resistance across terminals    | 25 MOhm conforming to IEC 255-7 category 3<br>25 mOhm conforming to NF C 93-050 method A                |
| Short-circuit protection               | 10 A cartridge fuse, type gG (gl)   |
| Mechanical durability                  | 3000000 cycles  |
| Setting                                | External  |
| Height                                 | 158 mm  |
| Depth                                  | 77.5 mm   |
| Width                                  | 55 mm   |
| Net weight                             | 1.03 kg   |

## Environment

|                                       |  |
|---------------------------------------|--|
| Standards                             | CE<br>EN/IEC 60947-5-1<br>CSA C22.2 No 14<br>UL 508  |
| Product certifications                | BV<br>CSA<br>EAC<br>UL<br>LROS (Lloyds register of shipping)<br>CCC                                  |
| Protective treatment                  | TC standard version  |
| Ambient air temperature for operation | -25...70 °C  |
| Ambient air temperature for storage   | -40...70 °C  |
| Operating position                    | Any position   |
| Vibration resistance                  | 4 gn conforming to IEC 60068-2-6 (f = 30...500 Hz)   |
| Shock resistance                      | 50 gn conforming to IEC 60068-2-27   |
| Electrical shock protection class     | Class I conforming to IEC 1140<br>Class I conforming to IEC 536<br>Class I conforming to NF C 20-030 |
| IP degree of protection               | IP65 conforming to EN/IEC 60529  |

## Packing Units

|                  |          |
|------------------|----------|
| Package 1 Weight | 1.086 kg |
| Package 1 Height | 0.720 dm |
| Package 1 width  | 1.370 dm |
| Package 1 Length | 1.080 dm |

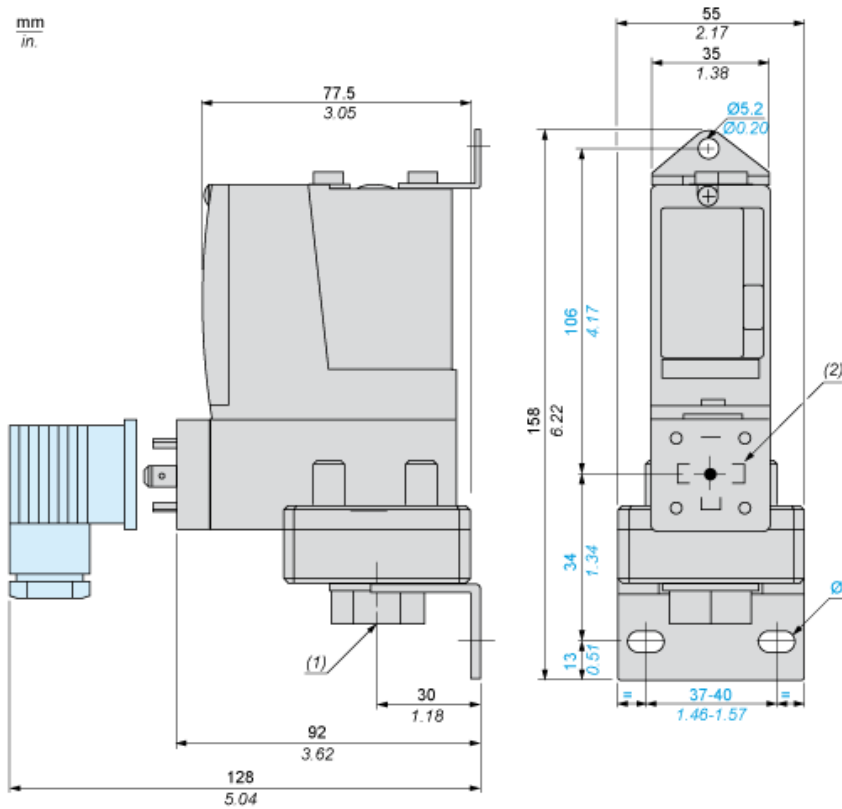
## Offer Sustainability

|                            |  |
|----------------------------|--|
| Sustainable offer status   | Green Premium product  |
| REACH Regulation           | <a href="#">REACH Declaration</a>  |
| EU RoHS Directive          | Pro-active compliance (Product out of EU RoHS legal scope) <a href="#">EU RoHS Declaration</a> |
| Mercury free               | Yes  |
| RoHS exemption information | <a href="#">Yes</a>  |
| Environmental Disclosure   | <a href="#">Product Environmental Profile</a>  |

## Contractual warranty

|          |           |
|----------|-----------|
| Warranty | 18 months |
|----------|-----------|

Dimensions



- (1) 1 fluid entry, tapped G1/4 (BSP female)
- (2) EN 175301-803-A connector
- Ø : 2 elongated holes Ø 10.2 x 5.2

---

Wiring Diagram

---

Terminal Model



---

Wiring Diagram

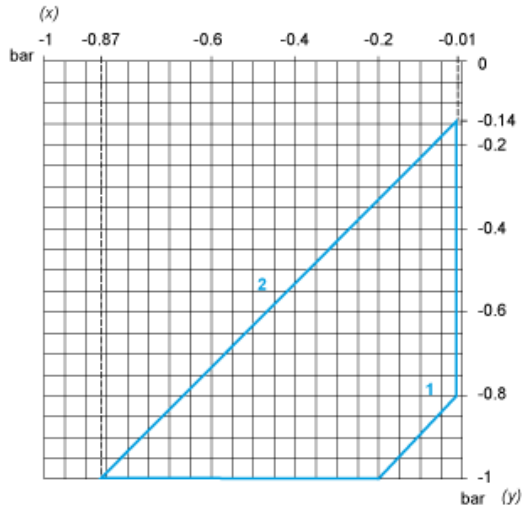
---

Vacuum Switch Connector Pin View

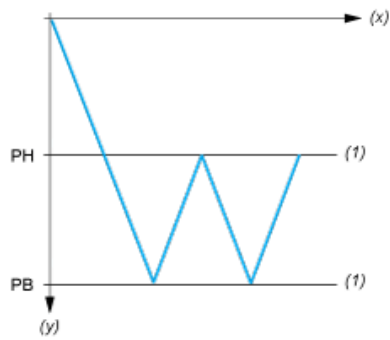


- (1) 11 and 13
- (2) 12
- (3) 14

Operating Curves



- (x) Rising pressure
- (y) Falling pressure
- 1 : Maximum differential
- 2 : Minimum differential



- (x) Time
- (y) Vacuum
- (1) Adjustable value
- PH : High point
- PB : Below point