

XMLRM01G0T26

Electronic pressure sensors, Pressure sensors XM, XMLR -1 bar, 1/4" 18 NPT, 24 VDC, 4...20 mA, M12



Main

| | |
|---|--|
| Range of product | OsiSense XM |
| Product or component type | Electronic pressure sensors |
| Pressure sensor type | Pressure transmitter |
| Pressure switch type of operation | Pressure transmitter |
| Device short name | XMLR |
| Pressure rating | -99.97 KPa -1 bar |
| Maximum permissible accidental pressure | 3 Bar 300 KPa 296.47 kPa |
| Destruction pressure | 300 KPa 3 Bar 296.47 kPa |
| Controlled fluid | Fresh water (0...80 °C) Air (-20...80 °C) Hydraulic oil (-20...80 °C) Refrigeration fluid (-20...80 °C) |
| Fluid connection type | 1/4" - 18 NPT (female) |
| [Us] rated supply voltage | 24 V DC SELV (voltage limits: 17...33 V) |

Complementary

| | |
|--|---|
| Current consumption | <= 50 mA |
| Electrical connection | Male connector M12, 4 pins |
| Analogue output function | 4...20 mA |
| Type of output signal | Analogue |
| Analogue output function | 4...20 mA |
| Scale type | Fixed differential |
| Materials in contact with fluid | Fluorocarbon FKM (Viton) Ceramic 316L stainless steel |
| Front material | Polyester |
| Housing material | 316L stainless steel Polyacrylamide |
| Operating position | Any position, but disposals can falsified the measurement in case of upside down mounting |
| Protection type | Short-circuit protection Overload protection Reverse polarity Overvoltage protection |
| Response time on output | <= 10 ms for analog output |
| Display type | 4 digits 7 segments |
| Display response time type | Fast 50 ms Normal 200 ms Slow 600 ms |
| Maximum delay first up | 300 ms |
| Overall accuracy | <= 1 % of the measuring range |
| Linearity error on analogue output | <= 0.5 % of the measuring range |
| Hysteresis on analogue output | <= 0.2 % of the measuring range |
| Measurement accuracy on switching output | <= 0.6 % of the measuring range |

| | |
|--|---|
| Repeat accuracy | <= 0.2 % of the measuring range |
| Drift of the sensitivity | +/- 0.03 % of measuring range/°C |
| Drift of the zero point | +/- 0.1 % of measuring range/°C |
| Display accuracy | <= 1 % of the measuring range |
| Mechanical durability | 10000000 cycles |
| Depth | 42 mm |
| Height | 100 mm |
| Width | 41 mm |
| Net weight | 0.212 kg |
| [Uimp] rated impulse withstand voltage | 0.5 kV DC |
| Electromagnetic compatibility | Susceptibility to electromagnetic fields: 10 V/m 80...2000 MHz conforming to EN/IEC 61000-4-3 Immunity to conducted RF disturbances: 10 V 0.15...80 MHz conforming to EN/IEC 61000-4-6 Surge immunity test: 1 kV conforming to EN/IEC 61000-4-5 Electrical fast transient/burst immunity test: 2 kV conforming to EN/IEC 61000-4-4 Electrostatic discharge immunity test: 8 kV air, 4 kV contact conforming to EN/IEC 61000-4-2 |




Environment

| | |
|---------------------------------------|--|
| Marking | CE |
| Product certifications | CULus EAC |
| Standards | UL 61010-1 EN/IEC 61326-2-3 |
| Ambient air temperature for operation | -20...80 °C |
| Ambient air temperature for storage | -40...80 °C |
| IP degree of protection | IP65 conforming to EN/IEC 60529 IP67 conforming to EN/IEC 60529 |
| Vibration resistance | 20 gn (f= 10...2000 Hz) conforming to EN/IEC 60068-2-6 |
| Shock resistance | 50 gn conforming to EN/IEC 60068-2-27 |

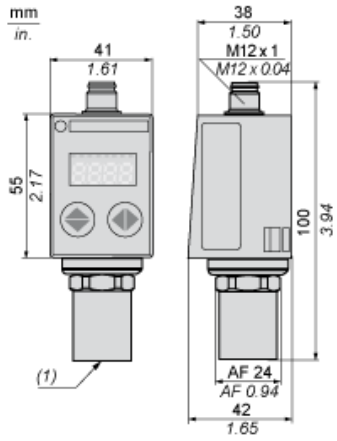
Packing Units

| | |
|------------------------------|---------|
| Unit Type of Package 1 | PCE |
| Number of Units in Package 1 | 1 |
| Package 1 Weight | 181 g |
| Package 1 Height | 6.5 cm |
| Package 1 width | 7.5 cm |
| Package 1 Length | 12.7 cm |

Offer Sustainability

| | |
|----------------------------|--|
| REACH Regulation |  REACH Declaration |
| REACH free of SVHC | Yes |
| EU RoHS Directive | Pro-active compliance (Product out of EU RoHS legal scope)  EU RoHS Declaration |
| Mercury free | Yes |
| RoHS exemption information |  Yes |

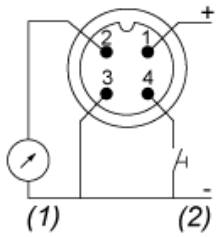
Dimensions



(1) Fluid entry: 1/4"-18NPT female

Connections and Schema

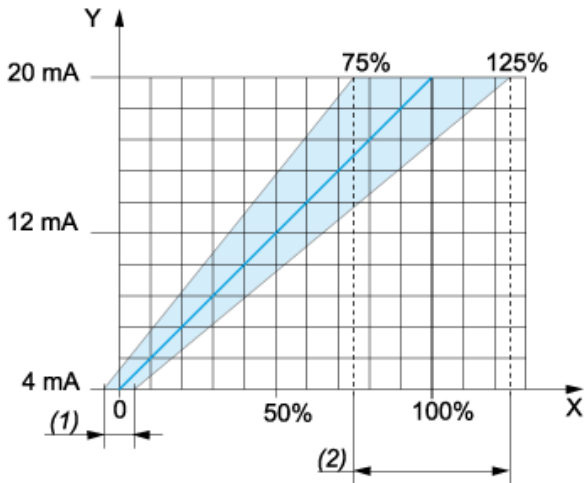
Connector Wiring



- (1) I Out or V Out
- (2) Test Input

Analogue Output Description

Analogue Output Signal



X : Pressure

Y : Analogue output signal

(1) An offset of +/-5% of nominal pressure can be compensated (with Cof Configuration menu. Cof: Offset Compensation)

(2) The analogue curve can be adjusted from -25% to +25% of nominal pressure (with AEP Configuration menu. AEP: analogue end point).