



Main

| | |
|------------------------------------|---|
| Range of product | Telemecanique Inductive proximity sensors XS |
| Series name | Application |
| Sensor type | Inductive proximity sensor |
| Type of sensing window | Adjustable |
| Sensor name | XS6 |
| Sensor design | Cylindrical M18 |
| Size | 64 mm |
| Body type | Fixed |
| Detector flush mounting acceptance | Non flush mountable |
| Material | Metal |
| Type of output signal | Discrete |
| Wiring technique | 3-wire |
| [Sn] nominal sensing distance | 6 Mm flush mountable 9 mm non flush mountable |
| Discrete output function | 1 NO |
| Output circuit type | DC |
| Discrete output type | PNP |
| Electrical connection | Remote male connector M12, 4 pins |
| Cable length | 0.15 m |
| [Us] rated supply voltage | 12...24 V DC with reverse polarity protection |
| Switching capacity in mA | <= 100 mA DC with overload and short-circuit protection |
| IP degree of protection | IP67 double insulation conforming to IEC 60529 IP69K conforming to DIN 40050 |

Complementary

| | |
|--------------------------|---|
| Thread type | M18 x 1 |
| Detection face | Frontal |
| Front material | PPS |
| Enclosure material | Nickel plated brass |
| Sensing range | > 8...15 mm |
| Fine adjustment zone | 3...6 Mm flush mountable 3...9 mm non flush mountable |
| Differential travel | 1...15% of Sr |
| Cable composition | 3 x 0.34 mm ² |
| Wire insulation material | PvR |
| Status LED | Supply on and teach mode: 1 LED (green) Output state: 1 LED (yellow) |
| Supply voltage limits | 10...36 V DC |
| Switching frequency | <= 1000 Hz |
| Maximum voltage drop | <2 V (closed) |
| Current consumption | <= 10 mA no-load |
| Maximum delay first up | 10 ms |
| Maximum delay response | 0.3 ms |
| Maximum delay recovery | 0.7 ms |
| Marking | CE |

| | |
|-----------------|---------|
| Threaded length | 44 mm |
| Length | 64 mm |
| Net weight | 0.15 kg |

Environment

| | |
|---------------------------------------|---|
| Product certifications | UL CSA |
| Ambient air temperature for operation | -25...70 °C |
| Ambient air temperature for storage | -40...85 °C |
| Vibration resistance | 25 gn amplitude = +/- 2 mm (f = 10...55 Hz) conforming to IEC 60068-2-6 |
| Shock resistance | 50 gn for 11 ms conforming to IEC 60068-2-27 |

Packing Units

| | |
|------------------------------|----------|
| Unit Type of Package 1 | PCE |
| Number of Units in Package 1 | 1 |
| Package 1 Weight | 100 g |
| Package 1 Height | 4.2 cm |
| Package 1 width | 9.2 cm |
| Package 1 Length | 13.2 cm |
| Unit Type of Package 2 | BAG |
| Number of Units in Package 2 | 1 |
| Package 2 Weight | 100 g |
| Package 2 Height | 2 cm |
| Package 2 width | 20 cm |
| Package 2 Length | 15 cm |
| Unit Type of Package 3 | S02 |
| Number of Units in Package 3 | 22 |
| Package 3 Weight | 2.563 kg |
| Package 3 Height | 15 cm |
| Package 3 width | 30 cm |
| Package 3 Length | 40 cm |

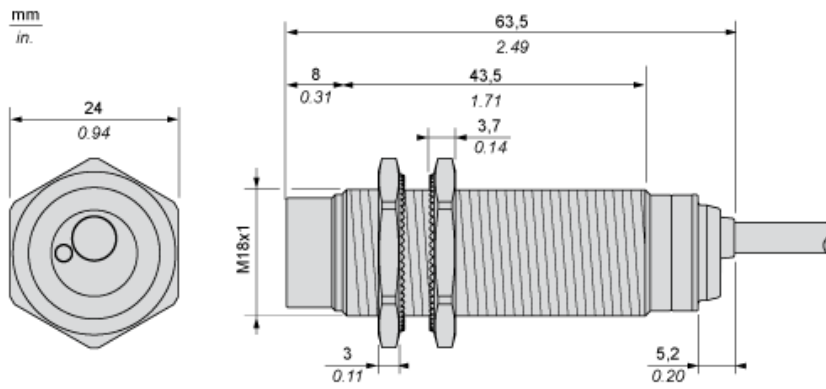
Offer Sustainability

| | |
|----------------------------|--|
| Sustainable offer status | Green Premium product |
| REACH Regulation | REACH Declaration |
| EU RoHS Directive | Pro-active compliance (Product out of EU RoHS legal scope) EU RoHS Declaration |
| Mercury free | Yes |
| RoHS exemption information | Yes |
| Environmental Disclosure | Product Environmental Profile |
| Circularity Profile | End Of Life Information |

Contractual warranty

| | |
|----------|-----------|
| Warranty | 18 months |
|----------|-----------|

Dimensions



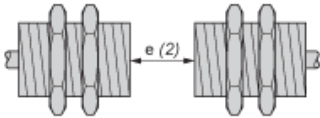
Minimum Mounting Distances

Side by side



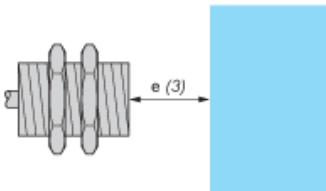
| e (1) | | | |
|---------------|--------|-------------------|------|
| Flush mounted | | Not flush mounted | |
| mm | in. | mm | in. |
| ≥ 28 | ≥ 1.10 | 100 | 3.94 |

Face to face



| e (2) | | | |
|---------------|--------|-------------------|------|
| Flush mounted | | Not flush mounted | |
| mm | in. | mm | in. |
| ≥ 100 | ≥ 3.94 | 200 | 7.87 |

Facing a metal object



| e (3) | |
|-------|--------|
| mm | in. |
| ≥ 6 | ≥ 0.24 |

Wiring Schemes

M12 connector



PNP

