

HMIBMPHI74D2801

Modular box PC, Harmony iPC, HMIBM
Performance HDD DC Windows 10 2 slots



Main

| | |
|---------------------------|---|
| Range of product | Harmony iPC |
| Product or component type | Modular box PC |
| Device short name | Modular BOX PC Performance |
| Chipset type | Intel QM87 |
| Free slots | 2 Internal SATA HDD/SSD with slide-in HMIYMADSDD1 to mount . hot swap RAID with Intel Rapid Storage Technology 1 CFast 1 mSATA |
| Video controller type | Intel HD Graphics 5000 |
| Operating system | Windows 10 IoT Enterprise 64 bit (switched from Windows 8.1 in Q1 2018)multi-language |
| Software package | Node-RED and system nodes restore IIoT Wiring Operating System Restore McAfee white listing installer cyber security license not included EcoStruxure secure connect advisor annual subscription cyber security license not included EcoStruxure Operator Terminal Expert run time HMI license not included EcoStruxure machine SCADA expert run time HMI/SCADA on configured offer only EcoStruxure augmented operator advisor server augmented operator license not included |

Complementary

| | |
|---------------------------------------|---|
| Range compatibility | Modular Display HMIDM IDisplay |
| Accessory / separate part destination | PC panel on HMIDM modular display |
| Mounting location | Book mounting Wall mounting Flat mounting |
| Processor name | Intel Core i7 4650U 1.7 GHz turbo boost at 3.3 GHz |
| Data storage equipment | 500 GB enterprise hard disk |
| Memory description | 8 GB RAM DDR3 internal (not expandable) 512 kB MRAM internal |
| Number of slots | 2 slot(s) for mini PCI Express full-size |
| Display resolution | 3200 x 2000 pixels at 60 Hz |
| Watchdog timer | 1...255 ms |
| Type of cooling | Fanless Fan required to mount PCI/PCIe cards above 3 W |
| Electrical connection | Screw connector, connector type: pin, 1 way, circuit application: ground - location: bottom Connector, connector type: SMA, 3 ways - location: top |
| Integrated connection type | Display port with 1 on bottom Display port with 1 on front Ethernet with 2 RJ45 I210, transmission rate: 10/100/1000 Mbps on bottom IEEE 1588 supported COM1 serial link for battery backup with 1 male SUB-D 9 RS232/422/485 on bottom USB 2.0 port with 2 USB type A, transmission rate: 480 Mbit/s on bottom USB 3.0 port with 2 USB type A, transmission rate: 5 Gbit/s on bottom TPM connector Ver 1.2 for cyber security - hardware encryption TPM module HMIYMINATPM201 to be installed/default installed on motherboard |
| [Us] rated supply voltage | 24 V DC power supply 100...240 V AC power supply |

The information provided in this documentation contains general descriptions and/or technical characteristics of the performance of the products contained herein. This documentation is not intended as a substitute for and is not to be used for determining suitability or reliability of these products for specific user applications. It is the duty of any such user or integrator to perform the appropriate and complete risk analysis, evaluation and testing of the products with respect to the relevant specific application or use thereof. Neither Schneider Electric Industries SAS nor any of its affiliates or subsidiaries shall be responsible or liable for misuse of the information contained herein.

| | |
|---|--|
| Supply voltage limits | 18...36 V |
| Inrush current | 8.9 A |
| Power consumption in W | 40.0 W (box) 44.0 W (with 4:3 12" Display HMIDM6421) 43.0 W (with Wide 12" Display HMIDM6521) 45 W (with 4:3 15" Display HMIDM7421) 46 W (with Wide 15" Display HMIDM7521) 48 W (with Wide 19" Display HMIDM9521) 51 W (with Wide 22" Display HMIDMA521) |
| Control type | ON/OFF button |
| Depth | 65.2 mm |
| Height | 207 mm |
| Width | 254 mm |
| Net weight | 3.1 kg |
| Number of slots available for expansion | 2 slot(s) for mini PCIe |

Environment

| | |
|---------------------------------------|--|
| Standards | Class A group 1 EN 55011 EN 61000-6-4 EN 61131-2 FCC part 15 UL 61010 |
| Product certifications | CE CULus CULus CSA 22-2 No 142 CULus HazLoc Class I Division 2 ANSI/ISA 12-12-01 CULus HazLoc Class I Division 2 CSA 22-2 No 213 ATEX CCC RCM Marine GL Bridge EAC IEC Ex hazardous locations 3GD zone 2/22 |
| Quality labels | CE |
| Directives | 2006/95/EC - low voltage directive 2004/108/EC - electromagnetic compatibility |
| IP degree of protection | IP40 conforming to IEC 60529 |
| Electromagnetic compatibility | Immunity to high frequency interference conforming to IEC 61000-4 Disturbing field emission class A conforming to EN 55011 Conducted and radiated emissions class A conforming to EN 55022 |
| Ambient air temperature for storage | -30...70 °C conforming to IEC 60068-2-2 -30...70 °C conforming to IEC 60068-2-14 |
| Relative humidity | 10...95 % non-condensing conforming to EN/IEC 60068-2-30 |
| Ambient air temperature for operation | 0...55 °C (by default) conforming to EN/IEC 60068-2-2 0...50 °C flat mounting conforming to EN/IEC 60068-2-2 0...45 °C on PCI/PCIe HMIDM modular display with HDD conforming to EN/IEC 60068-2-2 0...40 °C flat mounting on HDD 0...40 °C flat mounting on mini PCIe 0...40 °C flat mounting on PCI/PCIe 0...45 °C conforming to 2 on mini PCIe HMIDM modular display conforming to EN/IEC 60068-2-2 |
| Operating altitude | 2000 m conforming to IEC 60664-1 |
| Vibration resistance | 2 gn (f = 5...500 Hz) SSD or CFast 1 gn (f = 5...500 Hz) HDD |

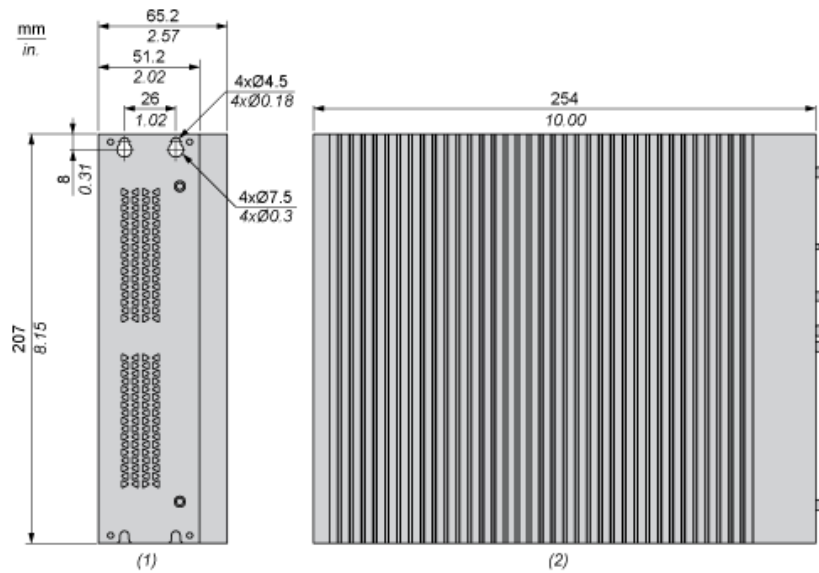
Packing Units

| | |
|------------------|------------|
| Package 1 Weight | 3.200 kg |
| Package 1 Height | 65.000 mm |
| Package 1 width | 207.000 mm |
| Package 1 Length | 254.000 mm |

Offer Sustainability

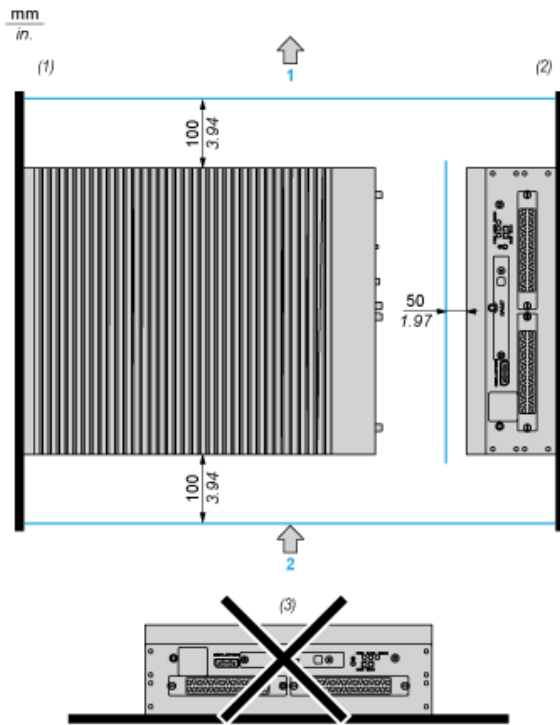
| | |
|----------------------------|---|
| REACH Regulation | REACH Declaration |
| REACH free of SVHC | Yes |
| EU RoHS Directive | Pro-active compliance (Product out of EU RoHS legal scope) EU RoHS Declaration |
| Mercury free | Yes |
| RoHS exemption information | Yes |
| China RoHS Regulation | China RoHS Declaration |
| WEEE | The product must be disposed on European Union markets following specific waste collection and never end up in rubbish bins |

Dimensions



- (1) Rear view
- (2) Left view

Spacing Requirements



- 1 : Air out
- 2 : Air in
- (1) Book mounting : Vertical mounting with rear fixing
- (2) Wall mounting : Vertical mounting with side fixing
- (3) Horizontal mounting