



Main

Range of product	Harmony Modular iPC
Product or component type	Flat screen
Terminal type	Touchscreen display

Complementary

Device mounting	Flush
Local signalling	Status LED
View angle horizontal x vertical	140 x 115°
Contrast ratio	500:1
Touchscreen resolution	2048 x 2048
Function available	Operate with water on screen
[Us] rated supply voltage	24 V DC power supply 100...240 V AC power supply 47...63 Hz
Supply voltage limits	18...36 V DC
Power consumption in W	42.6 W (typical) with Box PC HMIBMP 58.65 W (maximum) with Box PC HMIBMP 37.4 W (typical) with Box PC HMIBMU 53.65 W (maximum) with Box PC HMIBMU
Display size	12.1 inch
Display type	Colour TFT LCD LED
Display resolution	1366 x 768 pixels WHD FWXGA
Display colour	16777216 colors
Luminance	300 cd/m ²
Backlight lifespan	50000 hours at 25 °C
Touch panel	Multi-touch projected capacitive technology (PCT)
Type of installation	Indoor installation
Inrush current	8.9 A
Width	488.3 mm
Height	309 mm
Depth	28 Mm enclosure: 7 mm
Net weight	2.25 kg

Environment

IP degree of protection	IP66
NEMA degree of protection	NEMA 4X
Standards	Class I division 2 CSA C22.2 No 213 CSA C22.2 No 142 UL 6110-2-201 Class I division 2 ANSI/ISA 12-12-01
Product certifications	IEC-Ex EAC CE C-Tick
Ambient air temperature for operation	0...55 °C
Ambient air temperature for storage	-30...70 °C
Pollution degree	2
Relative humidity	10...95 % non-condensing
Operating altitude	2000 m
Vibration resistance	1 gn (f = 5...500 Hz) HDD 2 gn (f = 5...500 Hz) SSD 2 gn (f = 5...500 Hz) Cfast card

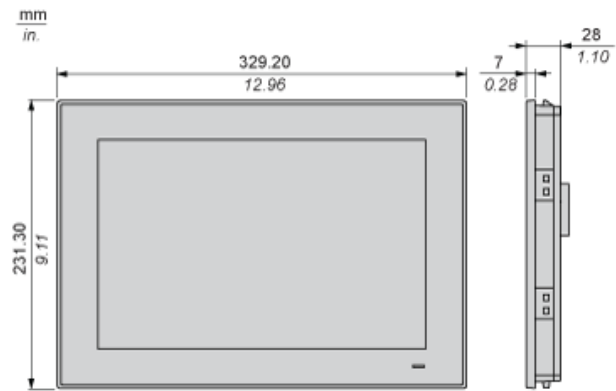
Packing Units

Package 1 Weight	4.130 kg
Package 1 Height	47.000 cm
Package 1 width	25.500 cm
Package 1 Length	45.000 cm

Offer Sustainability

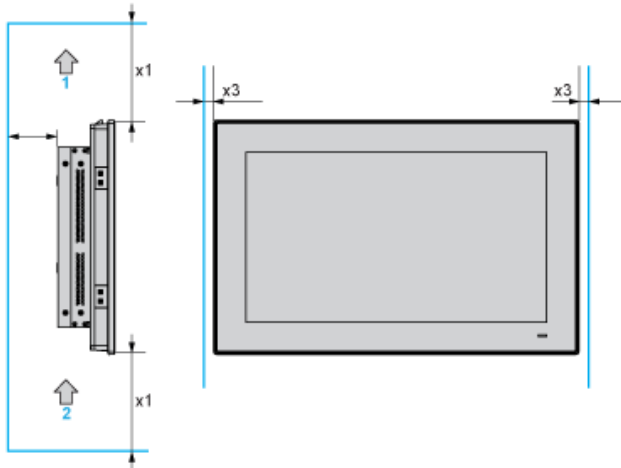
REACH Regulation	REACH Declaration
REACH free of SVHC	Yes
EU RoHS Directive	Pro-active compliance (Product out of EU RoHS legal scope) EU RoHS Declaration
Mercury free	Yes
RoHS exemption information	Yes
China RoHS Regulation	China RoHS Declaration

Display Dimensions



Spacing requirements - Mounted with Display adaptor HMIDAD

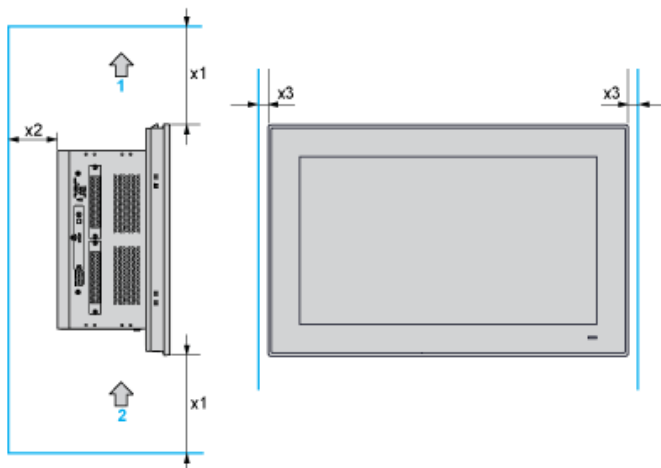
In order to provide sufficient air circulation, mount the Display Adapter so that the spacing above, below and on the sides of the unit is as follows:



- 1 : Air out
- 2 : Air in
- $x1 > 100 \text{ mm (3.93 in)}$
- $x2 > 50 \text{ mm (1.96 in)}$
- $x3 > 15 \text{ mm (0.59 in)}$

Spacing Requirements - Mounted with Modular Box PC HMIBM

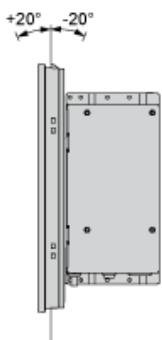
In order to provide sufficient air circulation, mount the display so that the spacing above, below and on the sides of the unit is as follows:



- 1 : Air out
- 2 : Air in
- $x1 > 100 \text{ mm (3.93 in)}$
- $x2 > 50 \text{ mm (1.96 in)}$
- $x3 > 15 \text{ mm (0.59 in)}$

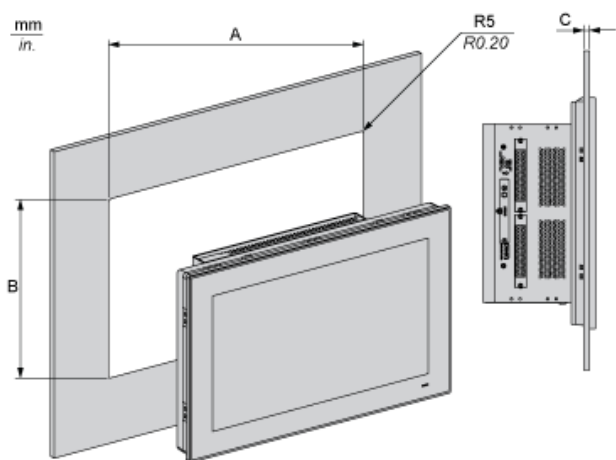
Mounting Orientation

The following figure shows the allowed mounting orientation for the display:



Panel Cut Dimensions

For cabinet installation, you need to cut the correctly sized opening in the installation panel according to the model of display.



A		B		C		R	
mm	in.	mm	in.	mm	in.	mm	in.
310	12.2	221	8.7	2...6	0.08...0.24	5	0.20