



Main

Range of product	Harmony Modular iPC
Product or component type	Flat screen
Terminal type	Touchscreen display

Complementary

Device mounting	Flush
Local signalling	Status LED
View angle horizontal x vertical	150 x 140°
Contrast ratio	500:1
Pixel resolution	1366 x 768
Touchscreen resolution	4096 x 4096
Function available	Operate with water on screen
[Us] rated supply voltage	24 V DC power supply 100...240 V AC power supply 47...63 Hz
Supply voltage limits	18...36 V DC
Power consumption in W	48.1 W (typical) with Box PC HMIBMP 63.28 W (maximum) with Box PC HMIBMP 43.1 W (typical) with Box PC HMIBMU 58.28 W (maximum) with Box PC HMIBMU
Display size	18.5 inch
Display type	Colour TFT LCD LED
Display resolution	1366 x 768 pixels WHD FWXGA
Display colour	16777216 colors
Luminance	300 cd/m ²
Backlight lifespan	50000 hours at 25 °C
Touch panel	Multi-touch projected capacitive technology (PCT)
Type of installation	Indoor installation
Inrush current	8.9 A
Width	488.3 mm
Height	309 mm
Depth	28 Mm enclosure: 7 mm
Net weight	5.2 kg

Environment

IP degree of protection	IP66
NEMA degree of protection	NEMA 4X
Standards	UL 60950 CSA C22.2 No 60950
Product certifications	EAC C-Tick CCC
Ambient air temperature for operation	0...55 °C
Ambient air temperature for storage	-30...70 °C
Pollution degree	2
Relative humidity	10...95 % non-condensing
Operating altitude	2000 m
Vibration resistance	1 gn (f = 5...500 Hz) HDD 2 gn (f = 5...500 Hz) SSD 2 gn (f = 5...500 Hz) Cfast card

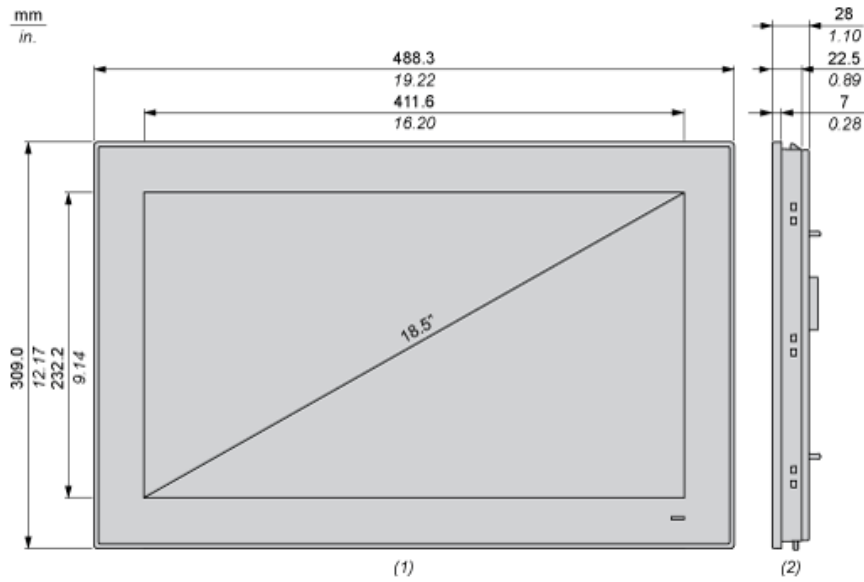
Packing Units

Package 1 Weight	5.200 kg
Package 1 Height	23.500 cm
Package 1 width	61.500 cm
Package 1 Length	74.200 cm

Offer Sustainability

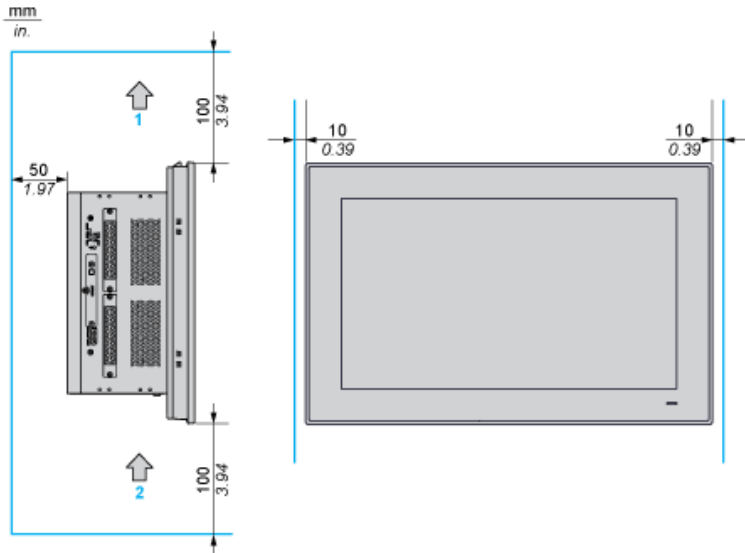
REACH Regulation	REACH Declaration
REACH free of SVHC	Yes
EU RoHS Directive	Pro-active compliance (Product out of EU RoHS legal scope) EU RoHS Declaration
Mercury free	Yes
RoHS exemption information	Yes
China RoHS Regulation	China RoHS Declaration
WEEE	The product must be disposed on European Union markets following specific waste collection and never end up in rubbish bins

Dimensions



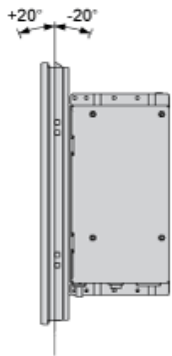
- (1) Front view
- (2) Right view

Spacing Requirements

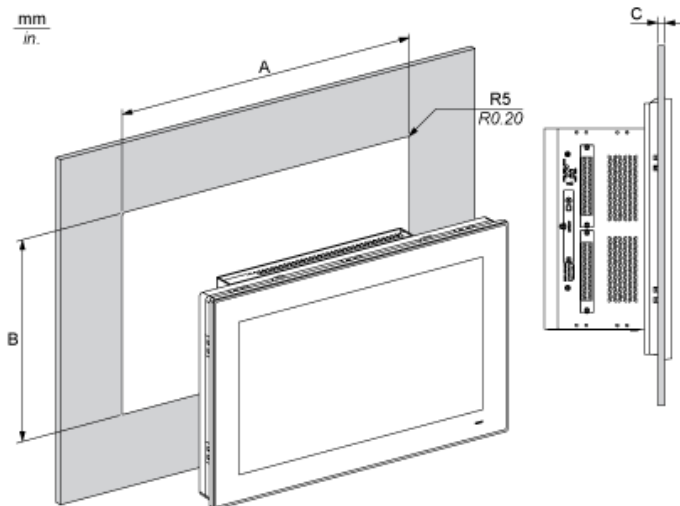


- 1 : Air out
- 2 : Air in

Mounting Orientation



Panel Cut Dimensions



A		B		C		R	
mm	in.	mm	in.	mm	in.	mm	in.
479.3	18.87	300.3	11.82	2...6	0.08...0.23	5	0.20