



Main

| | |
|---------------------------|---|
| Range of product | Harmony iPC |
| Product or component type | Multi-touch screen |
| Processor name | Intel Atom E3827 dual core at 1.75 GHz |
| Chipset type | Intel Atom SoC |
| Free slots | 1 Internal SATA HDD/SSD 1 CFAST |
| Display size | 10.1 inch |
| Display colour | 267000 colours |
| Luminance | 300 cd/m ² |
| Pixel resolution | 4096 x 4096 |
| Video controller type | Intel HD Graphics |
| Operating system | Windows 10 IoT Enterprise 64 bit multi-language |
| Software package | EcoStruxure secure connect advisor annual subscription cyber security license not included EcoStruxure Operator Terminal Expert run time HMI license not included EcoStruxure Machine SCADA Expert run time HMI/SCADA on configured offer only EcoStruxure augmented operator advisor server augmented operator license not included |

Complementary

| | |
|----------------------------------|--|
| Number of points | 5 |
| Terminal type | Touchscreen display |
| Memory type | 4 GB RAM DDR3 internal |
| Data storage equipment | 128 GB extension back side SSD 1500000 h mtbf |
| Aspect ratio | 16:9 |
| Display type | Colour TFT LCD LED |
| Display resolution | 1280 x 800 pixels WSVGA |
| Backlight lifespan | 50000 hours |
| View angle horizontal x vertical | 160 x 160° |
| Touch panel | Projected capacitive technology (PCT) |
| Type of cooling | Fanless Passive |
| Watchdog timer | 1...255 ms |
| Number of slots | 1 mini PCI Express full-size |
| [Us] rated supply voltage | 24 V DC +/- 20 % 100...240 V AC with additional adaptor HMIYPSOMAC1 |
| [In] rated current | 1.9 A |
| Mechanical robustness | Hardness anti-scratch 7H |
| Local signalling | Buzzer LED (green) for on LED (orange) for stand-by |
| Function available | Operate with water on screen |
| Width | 283.1 mm |
| Height | 202.3 mm |
| Depth | 85.5 mm |
| Cut-out dimensions | 274.6 (+/- 0.7) x 193.8 (+/- 0.4) |
| Net weight | 2.5 kg |

| | |
|--------------|----------------------|
| Display size | 10" wide multi-touch |
| Main type | Optimised |

Environment

| | |
|---------------------------------------|--|
| IP degree of protection | IP66 front panel: |
| Product certifications | AS/NZS C-Tick CCC CE RCM EAC |
| Standards | UL 60950 CSA C22.2 No 60950 FCC part 15 class A CISPR 11 IEC 61000-6-4 IEC 61000-6-2 IEC 60950 |
| Directives | 2004/108/EC - electromagnetic compatibility 2006/95/EC - low voltage directive |
| Pollution degree | 2 |
| Ambient air temperature for operation | 0...55 °C SSD 0...55 °C Cfast card 0...45 °C HDD 0...45 °C Mini PCIe |
| Ambient air temperature for storage | -20...60 °C |
| Relative humidity | 10...95 % non-condensing |
| Operating altitude | 2000 |
| Vibration resistance | 1 gn (f = 5...500 Hz)HDD 2 gn (f = 5...500 Hz)SSD 2 gn (f = 5...500 Hz)Cfast card |

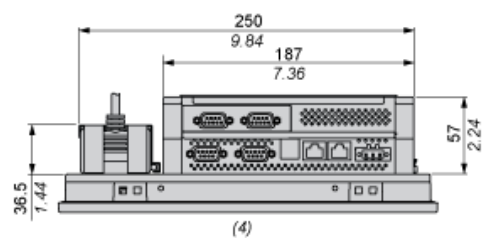
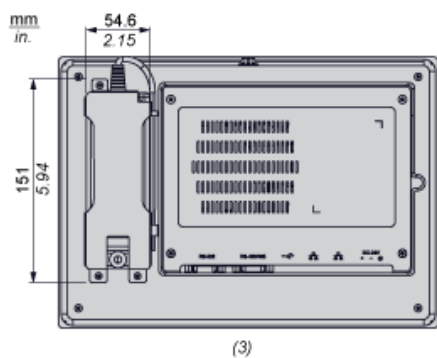
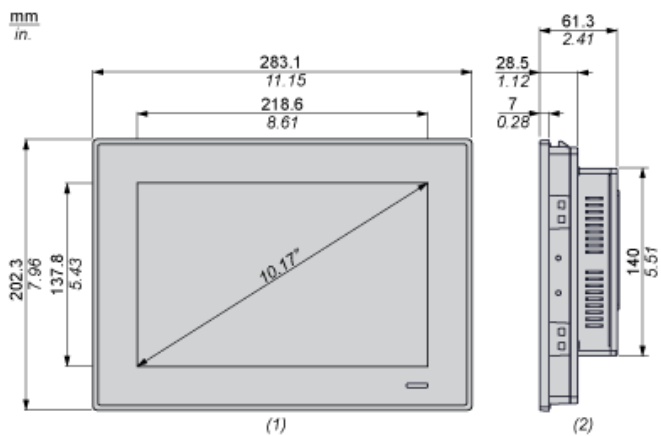
Packing Units

| | |
|------------------|------------|
| Package 1 Weight | 2.600 kg |
| Package 1 Height | 61.000 mm |
| Package 1 width | 202.000 mm |
| Package 1 Length | 283.000 mm |

Offer Sustainability

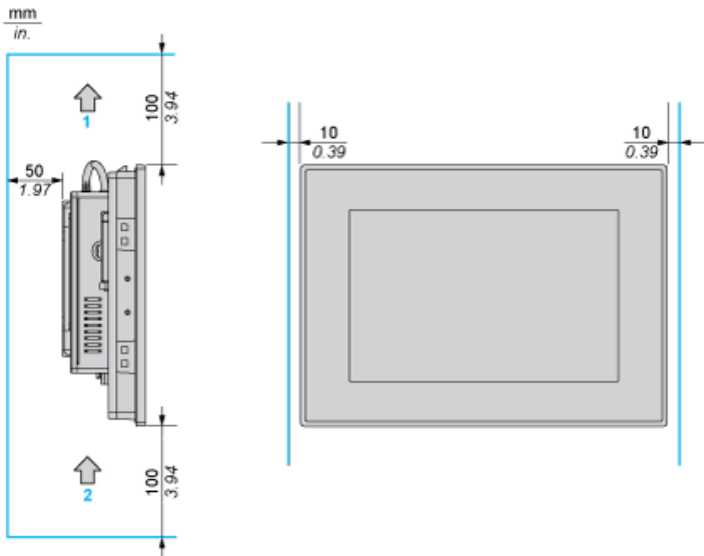
| | |
|----------------------------|--|
| EU RoHS Directive | Pro-active compliance (Product out of EU RoHS legal scope)  EU RoHS Declaration |
| Mercury free | Yes |
| RoHS exemption information |  Yes |
| China RoHS Regulation |  China RoHS Declaration |
| WEEE | The product must be disposed on European Union markets following specific waste collection and never end up in rubbish bins |

Dimensions



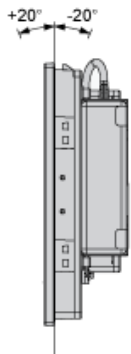
- (1) Front view
- (2) Right view
- (3) Back view
- (4) Bottom view

Spacing Requirements

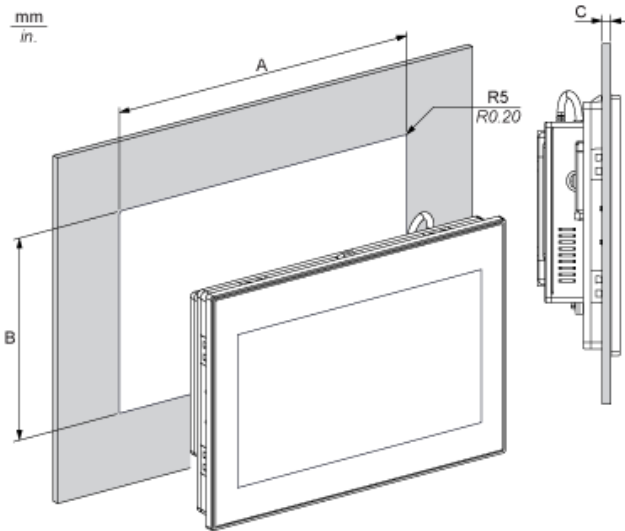


- 1 : Air out
- 2 : Air in

Mounting Orientation



Panel Cut Dimensions



| A | | B | | C | | R | |
|-------|-------|-------|------|-------|-------------|----|------|
| mm | in. | mm | in. | mm | in. | mm | in. |
| 274.6 | 10.81 | 193.8 | 7.63 | 2...6 | 0.08...0.23 | 5 | 0.20 |